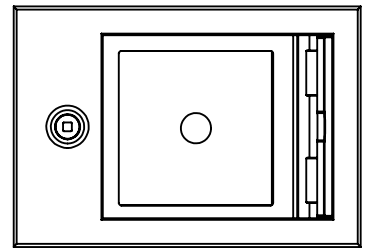


8 7 6 5 4 3 2 1

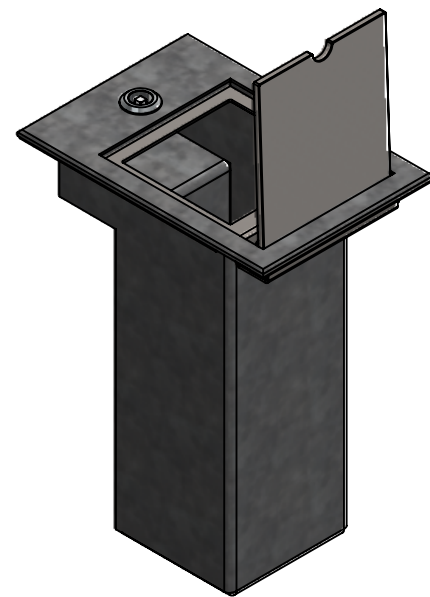
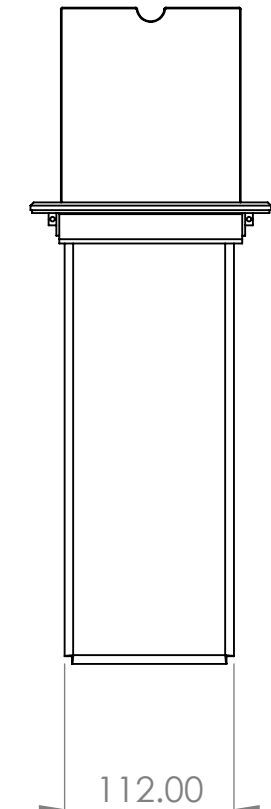
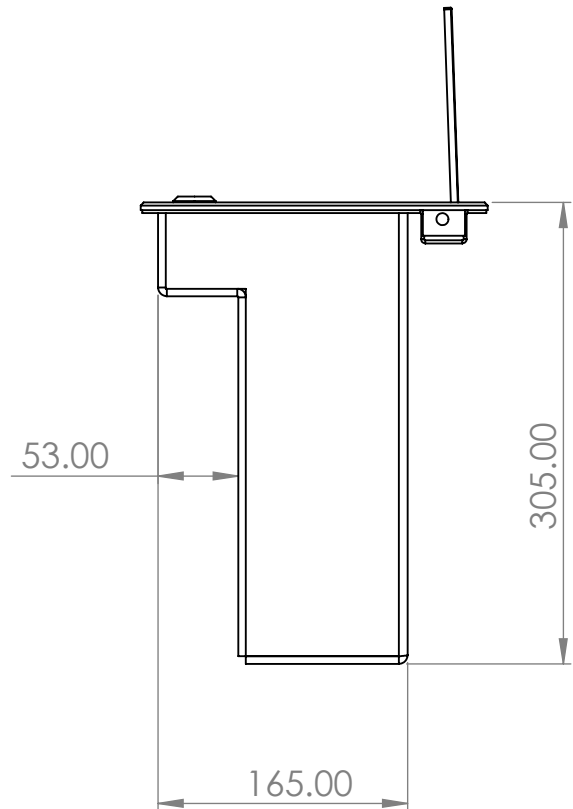
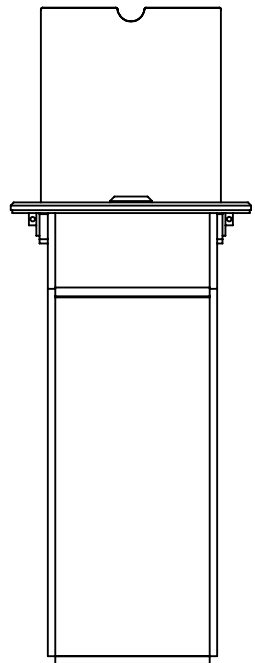
F

F



E

E

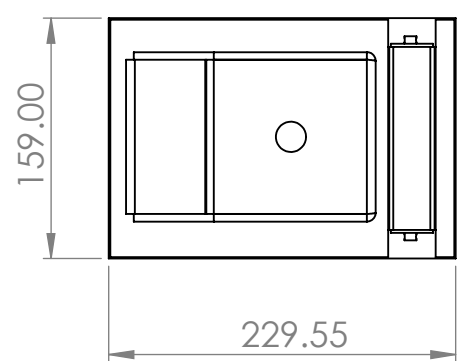


D

D

C

C



B

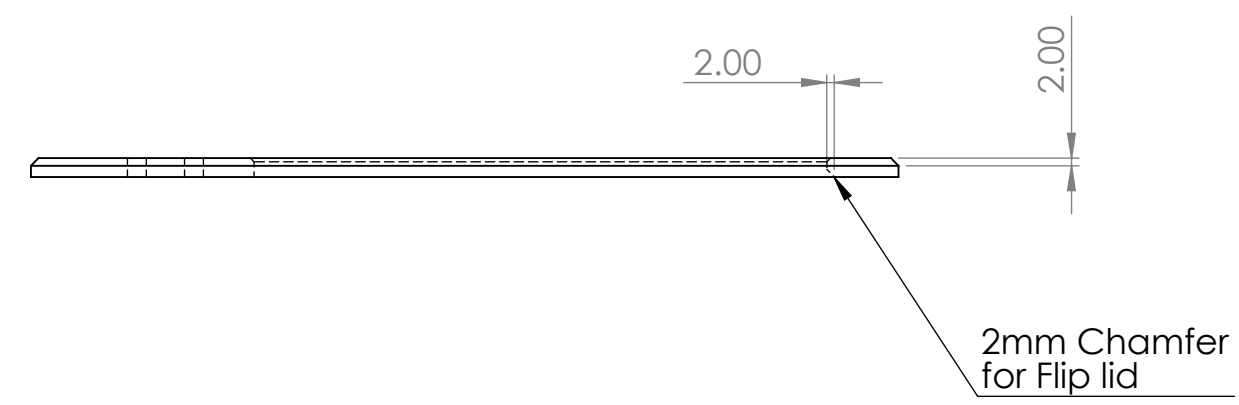
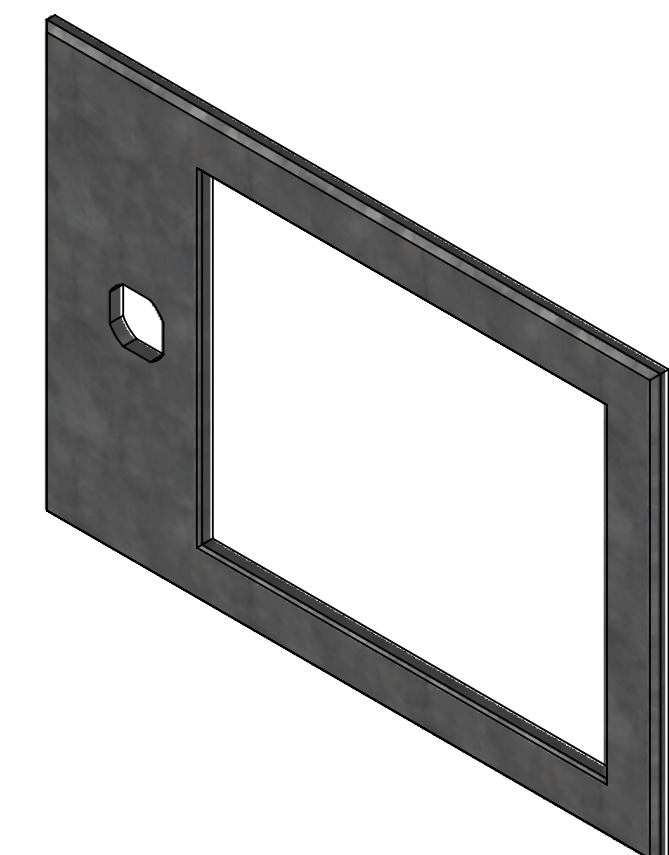
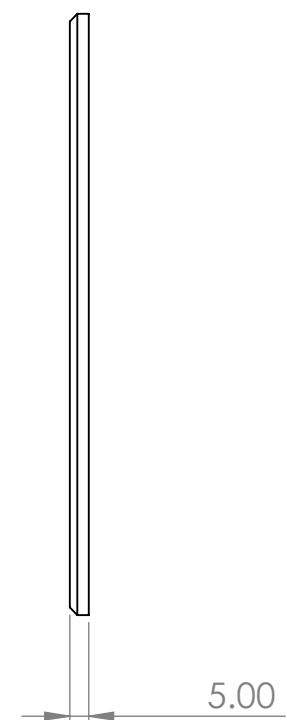
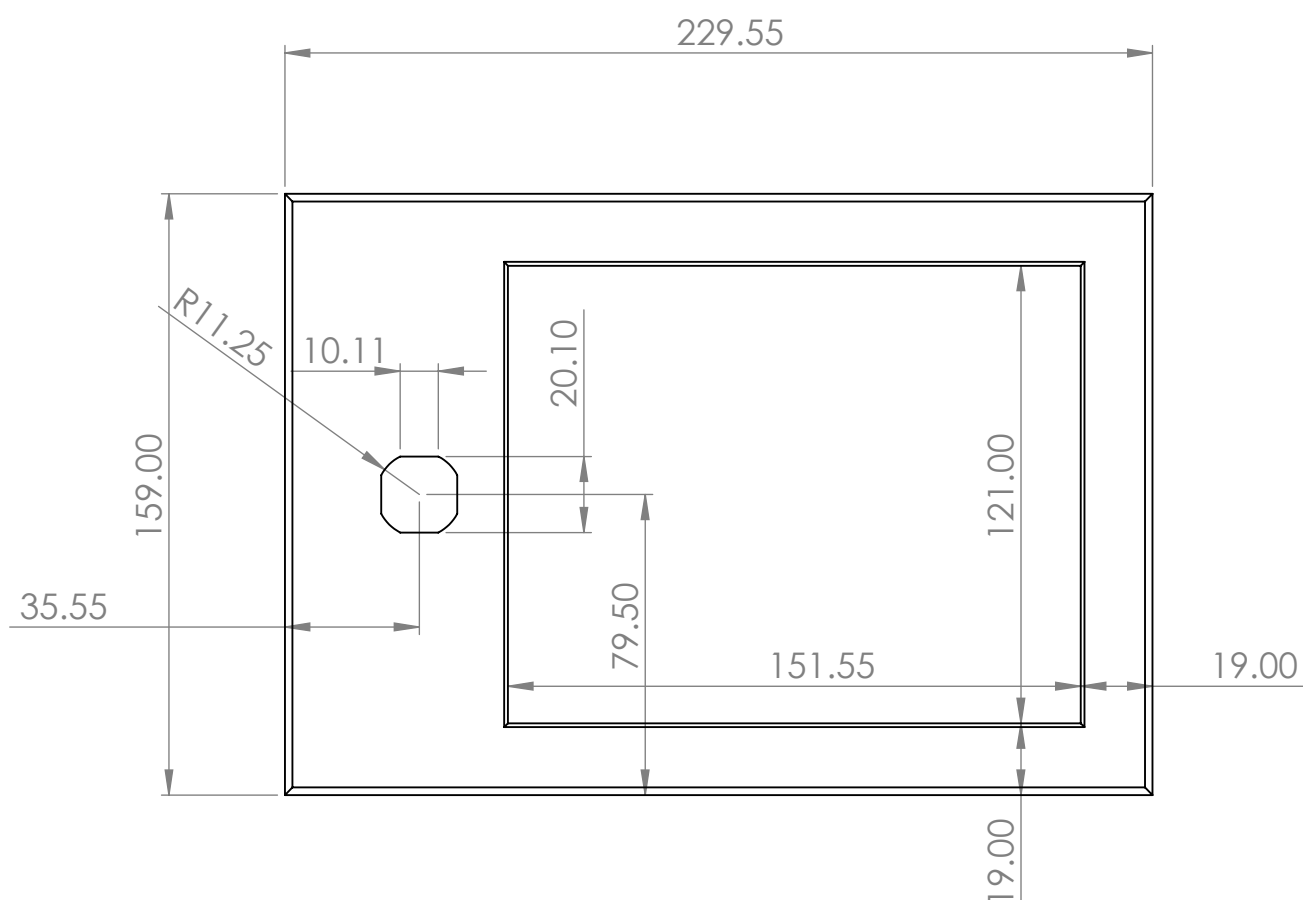
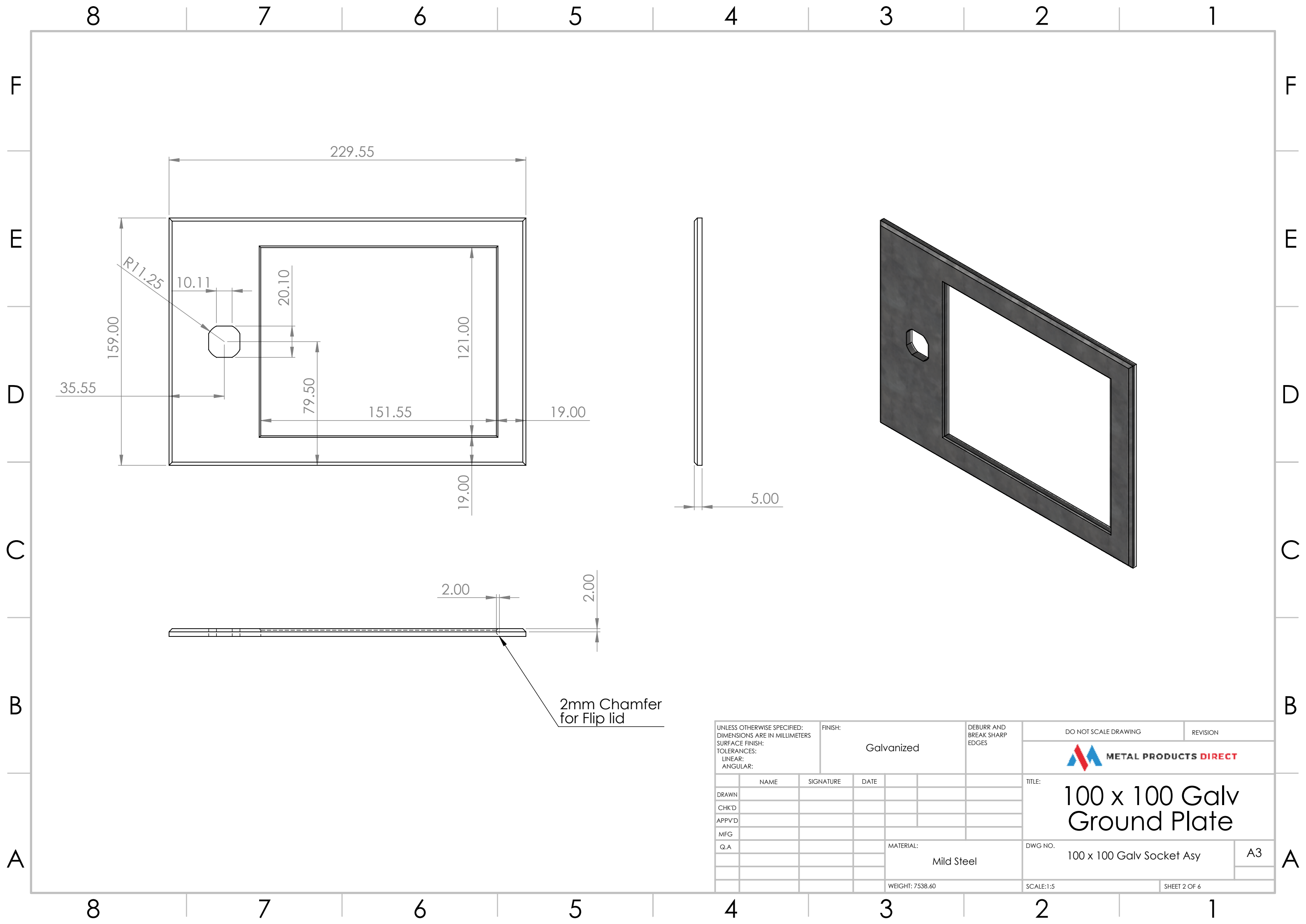
B

A

A

8 7 6 5 4 3 2 1

UNLESS OTHERWISE SPECIFIED: DIMENSIONS ARE IN MILLIMETERS SURFACE FINISH: TOLERANCES: LINEAR: ANGULAR:			FINISH:  Galvanized		DEBURR AND BREAK SHARP EDGES		DO NOT SCALE DRAWING		REVISION		
							TITLE: <b>100 x 100 Galve Socket Asy</b>				
DRAWN			NAME		SIGNATURE		DATE		DWG NO. 100 x 100 Galv Socket Asy		
CHK'D									A3		
APPV'D									SCALE:1:5		
MFG									SHEET 1 OF 6		
Q.A							MATERIAL: Mild Steel				
							WEIGHT: 7538.60				



UNLESS OTHERWISE SPECIFIED: DIMENSIONS ARE IN MILLIMETERS				FINISH: Galvanized		DEBURR AND BREAK SHARP EDGES		DO NOT SCALE DRAWING		REVISION		
SURFACE FINISH: TOLERANCES: LINEAR: ANGULAR:												
DRAWN								TITLE: <b>100 x 100 Galv Ground Plate</b>				
CHK'D												
APPV'D												
MFG												
Q.A								MATERIAL: Mild Steel		DWG NO. 100 x 100 Galv Socket Asy		A3
								WEIGHT: 7538.60		SCALE:1:5		SHEET 2 OF 6

8 7 6 5 4 3 2 1

F

F

E

E

D

D

C

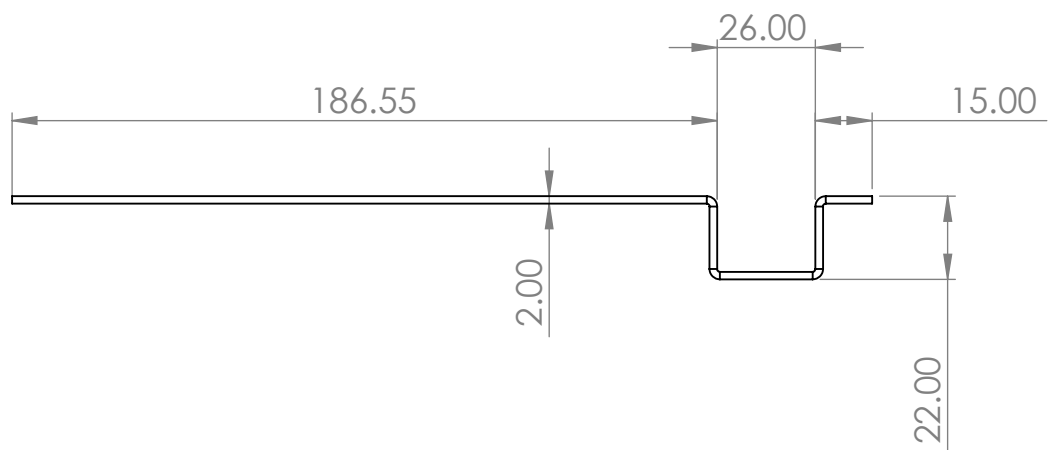
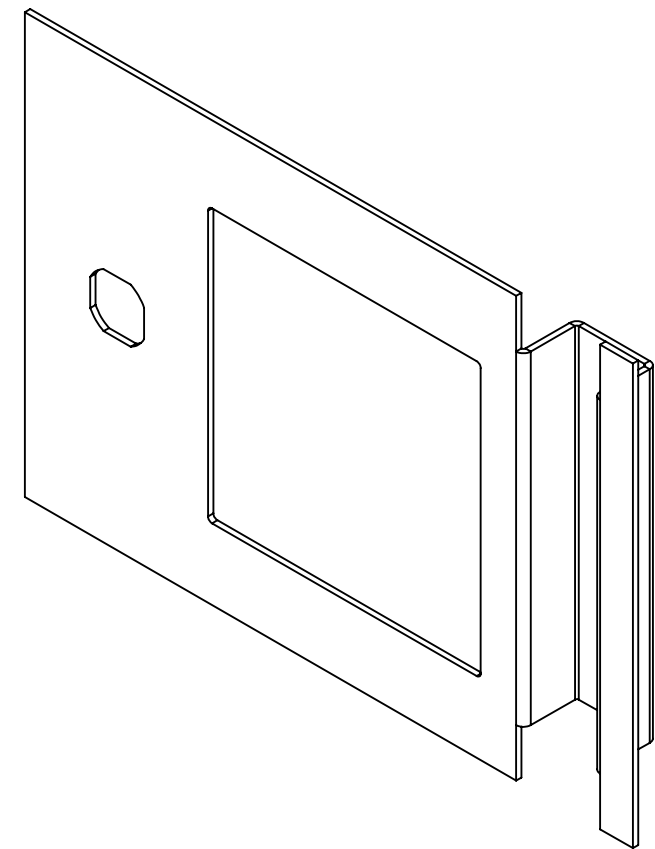
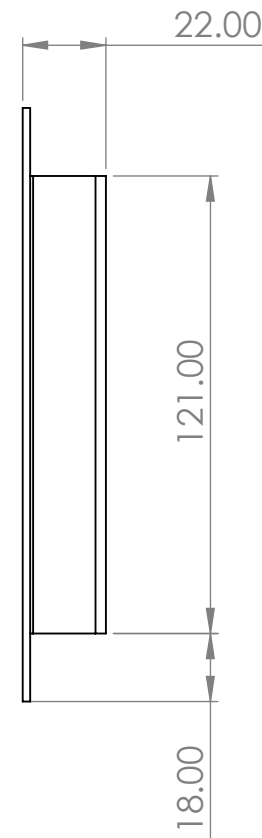
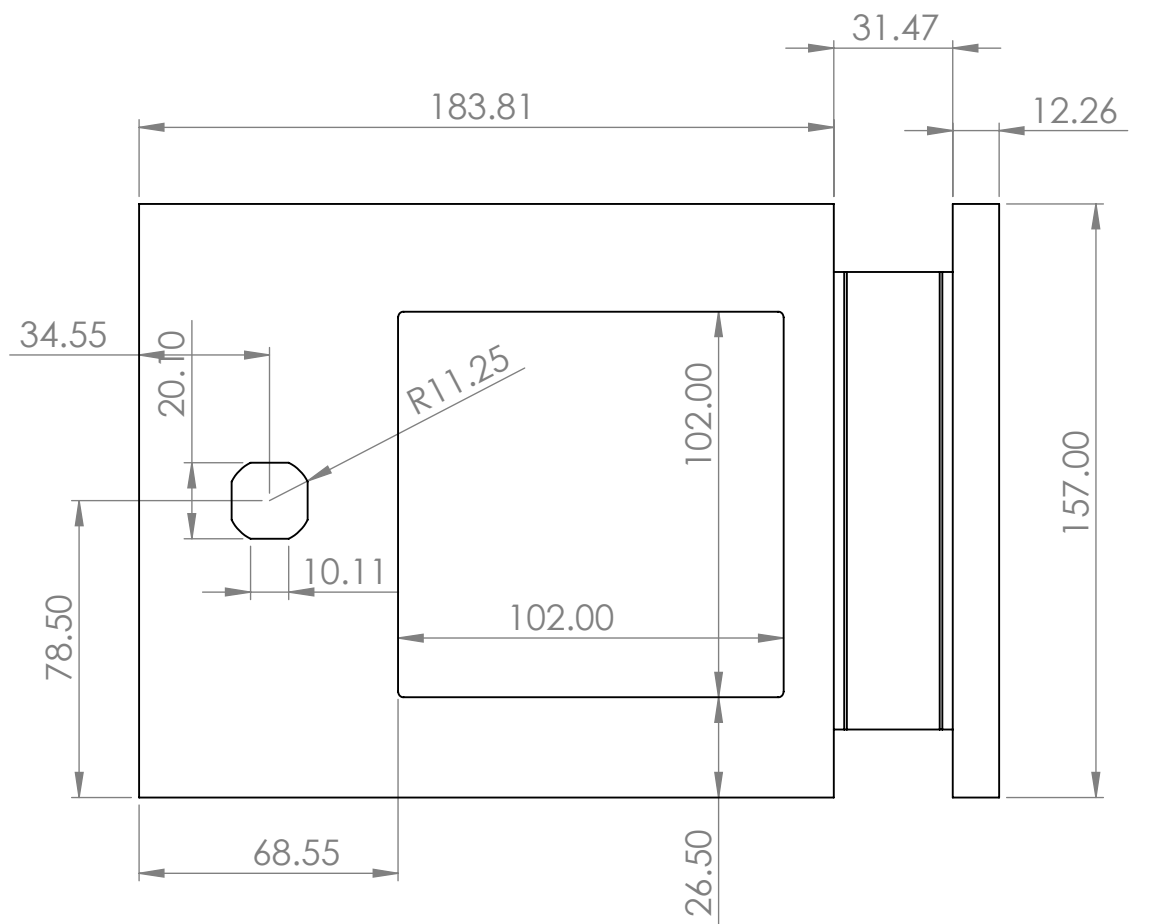
C

B

B

A

A



UNLESS OTHERWISE SPECIFIED: DIMENSIONS ARE IN MILLIMETERS SURFACE FINISH: TOLERANCES: LINEAR: ANGULAR:		FINISH:  Galvanized		DEBURR AND BREAK SHARP EDGES		DO NOT SCALE DRAWING		REVISION	
DRAWN		NAME		SIGNATURE		DATE		TITLE: <b>100 x 100 Galv Guide Plate</b>	
CHK'D								DWG NO. 100 x 100 Galv Socket Asy	
APPV'D								A3	
MFG								SCALE:1:2	
Q.A						MATERIAL: Mild Steel		SHEET 3 OF 6	
						WEIGHT: 7538.60			

8 7 6 5 4 3 2 1

8 7 6 5 4 3 2 1

F

F

E

E

D

D

C

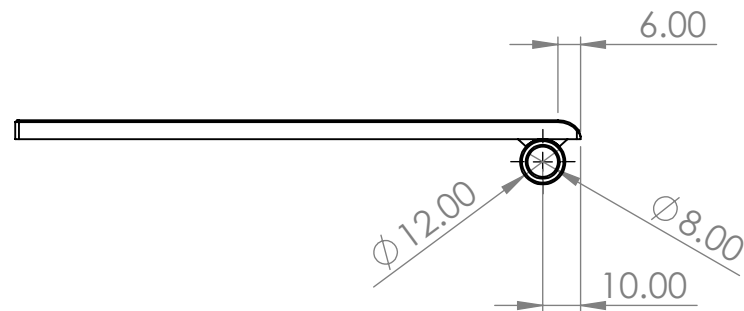
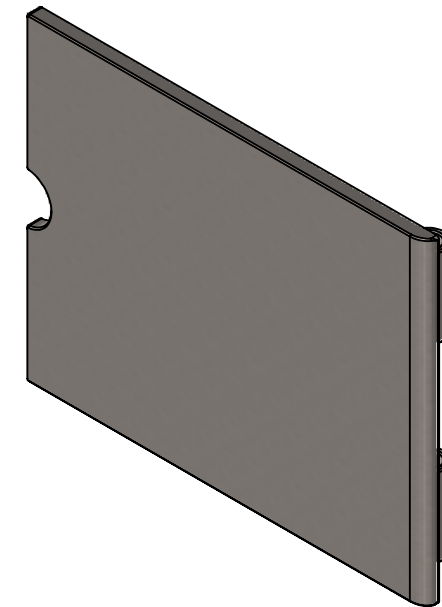
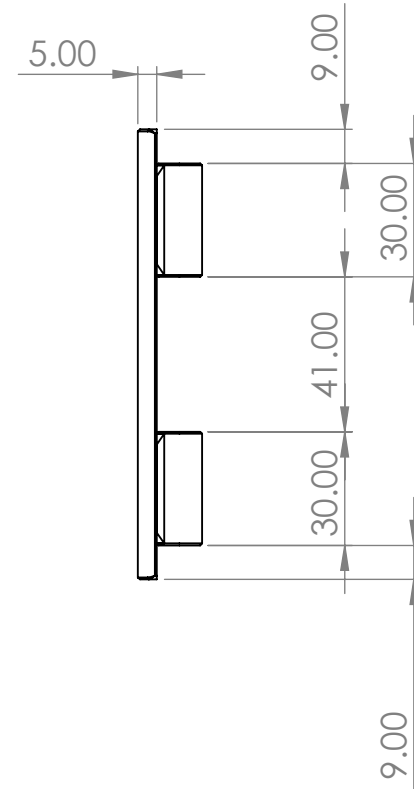
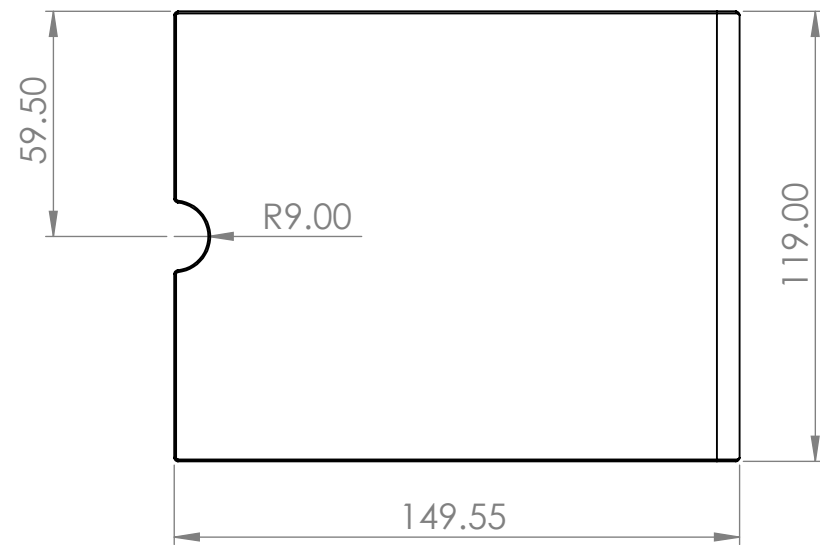
C

B

B

A

A



UNLESS OTHERWISE SPECIFIED: DIMENSIONS ARE IN MILLIMETERS SURFACE FINISH: TOLERANCES: LINEAR: ANGULAR:			FINISH: <b>Galvanized</b>		DEBURR AND BREAK SHARP EDGES		DO NOT SCALE DRAWING		REVISION		
							TITLE: <b>100 x 100 Galv Flip Lid</b>				
DRAWN			NAME		SIGNATURE		DATE		DWG NO. 100 x 100 Galv Socket Asy		
CHK'D									A3		
APPV'D											
MFG											
Q.A											
							MATERIAL: Mild Steel				
							WEIGHT: 7538.60		SCALE:1:2		SHEET 4 OF 6

8 7 6 5 4 3 2 1

8 7 6 5 4 3 2 1

F

F

E

E

D

D

C

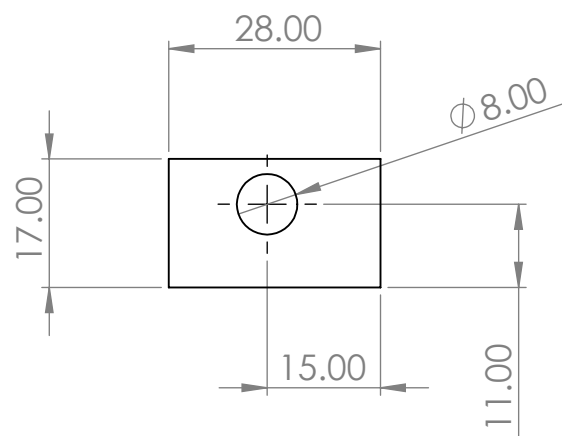
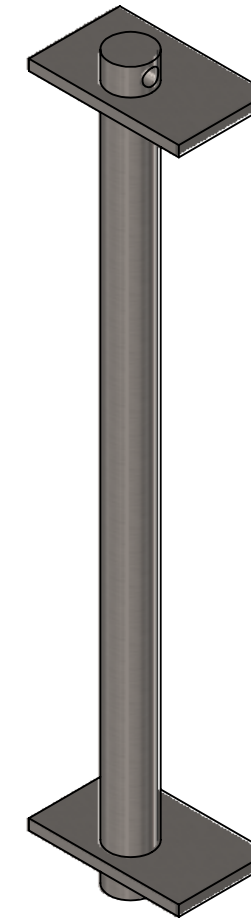
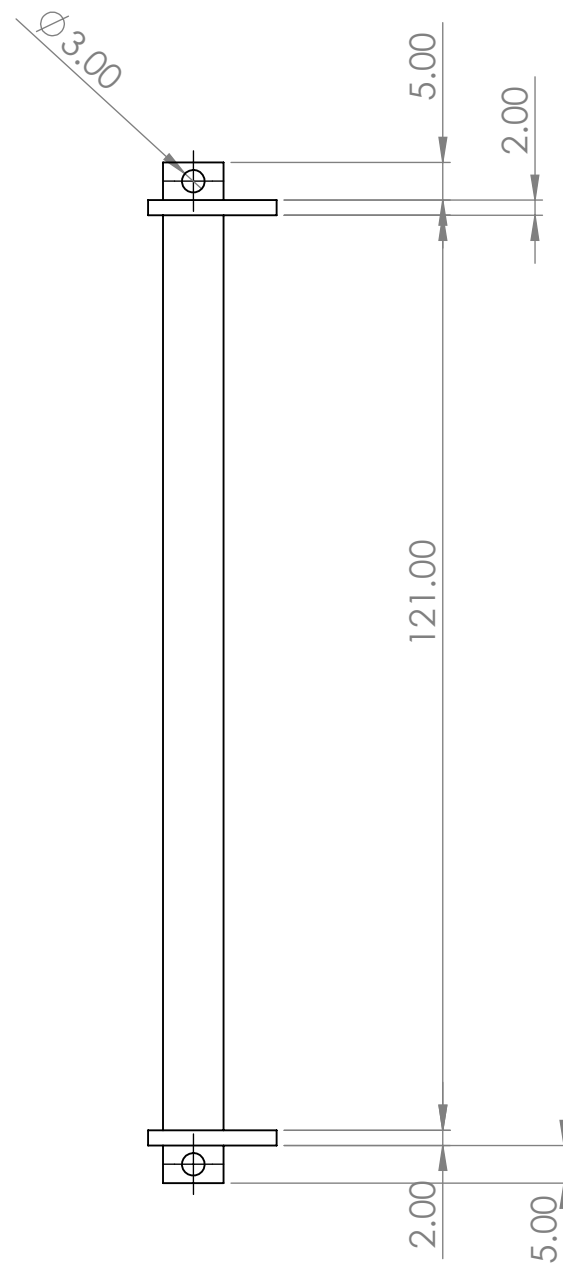
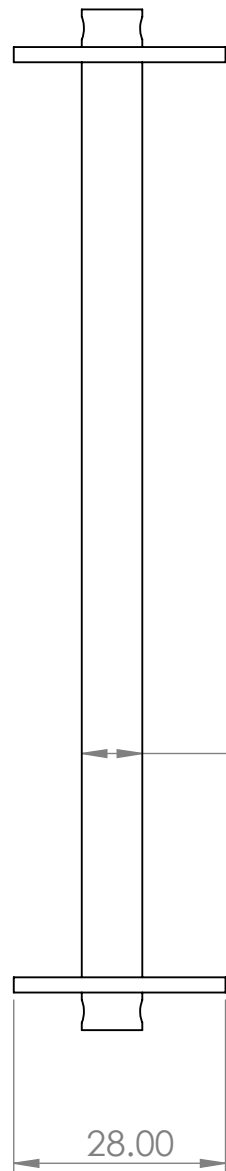
C


B

B

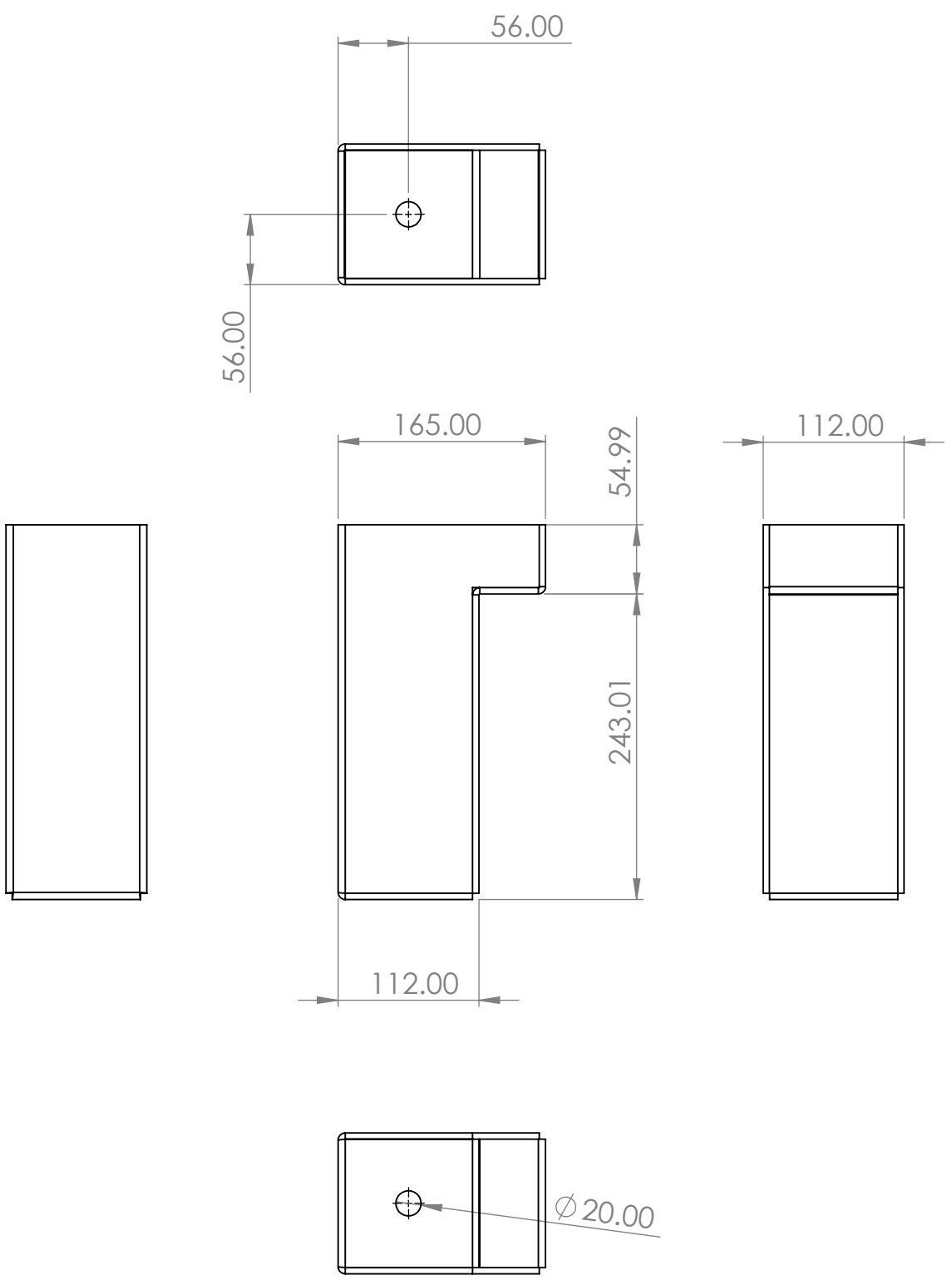
A

A



UNLESS OTHERWISE SPECIFIED: DIMENSIONS ARE IN MILLIMETERS SURFACE FINISH: TOLERANCES: LINEAR: ANGULAR:				FINISH:  Galvanized		DEBURR AND BREAK SHARP EDGES		DO NOT SCALE DRAWING		REVISION	
DRAWN								 TITLE: <h1>100 x 100 Galv Hinge</h1>			
CHK'D											
APPV'D											
MFG											
Q.A											
MATERIAL:  Mild Steel						DWG NO. 100 x 100 Galv Socket Asy		A3			
WEIGHT: 7538.60						SCALE: 1:5		SHEET 5 OF 6			

8 7 6 5 4 3 2 1



UNLESS OTHERWISE SPECIFIED: DIMENSIONS ARE IN MILLIMETERS SURFACE FINISH: TOLERANCES: LINEAR: ANGULAR:				FINISH:  Galvanized		DEBURR AND BREAK SHARP EDGES		DO NOT SCALE DRAWING		REVISION	
DRAWN				NAME		SIGNATURE		DATE		TITLE: <b>100 x 100 Galv Socket</b>	
CHK'D										DWG NO. 100 x 100 Galv Socket Asy	
APPV'D										A3	
MFG										SCALE:1:5	
Q.A								MATERIAL: Mild Steel		SHEET 6 OF 6	
								WEIGHT: 7538.60			

