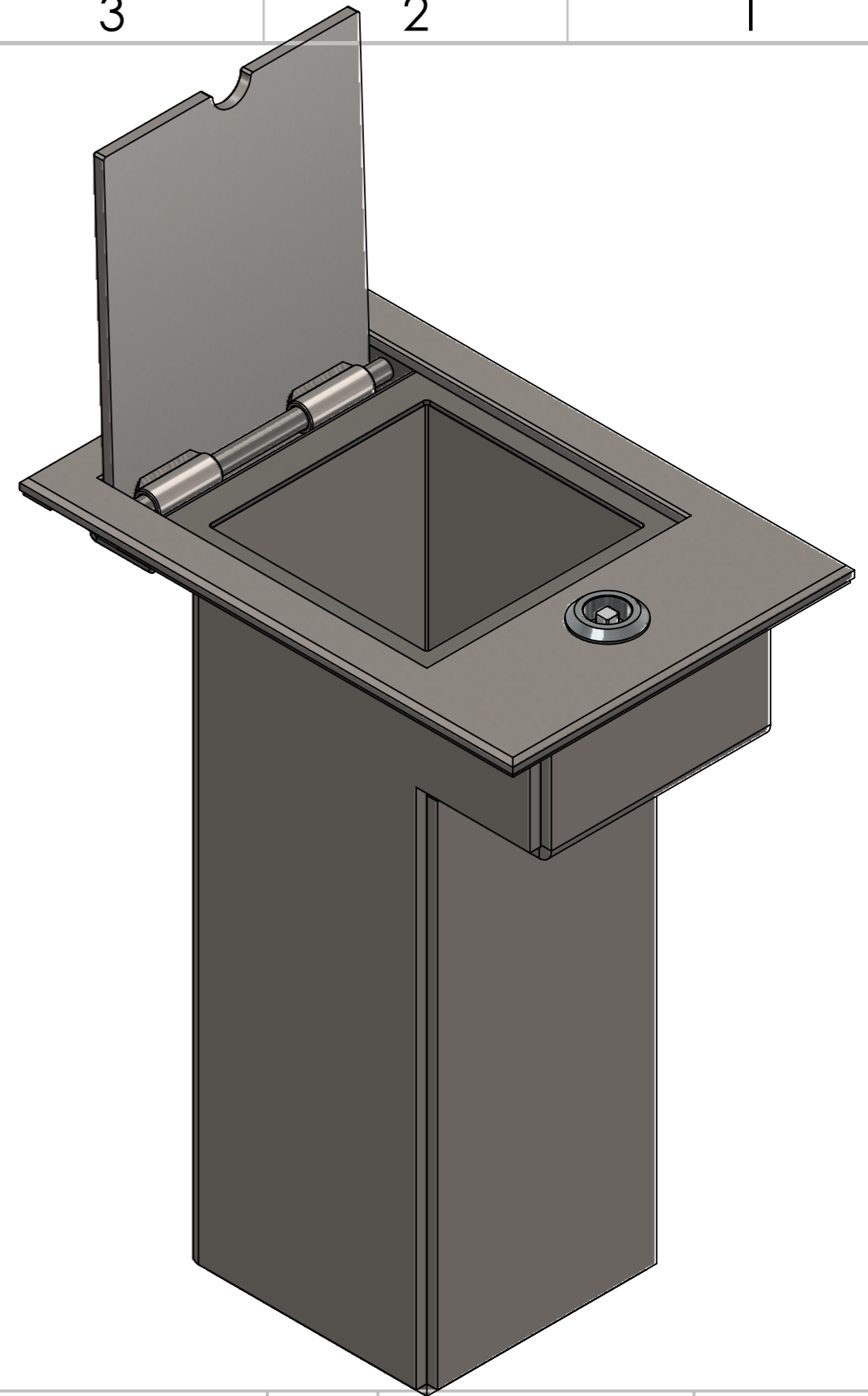
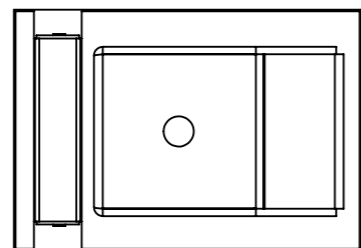
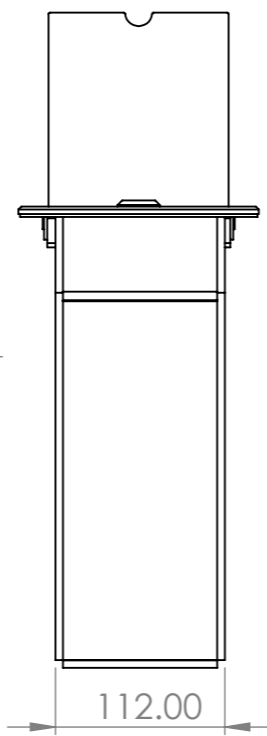
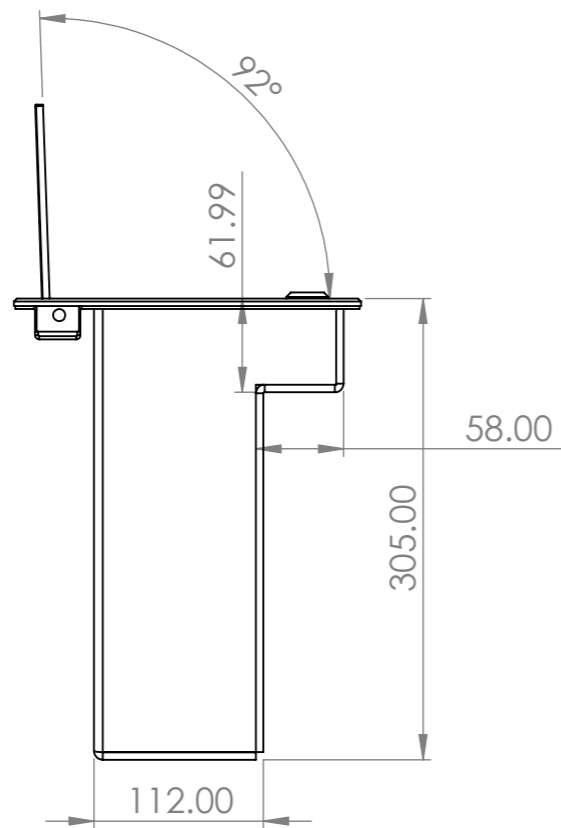
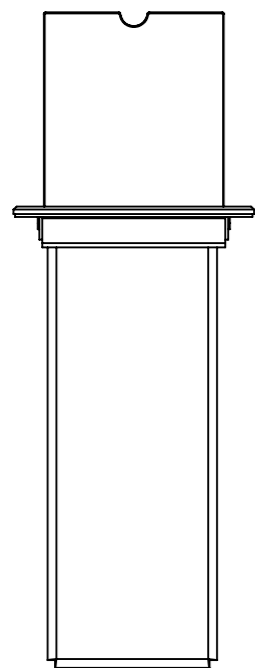
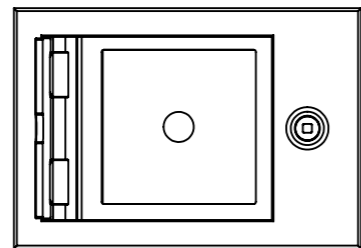


8 7 6 5 4 3 2 1

F

F



D

D

C

C

B

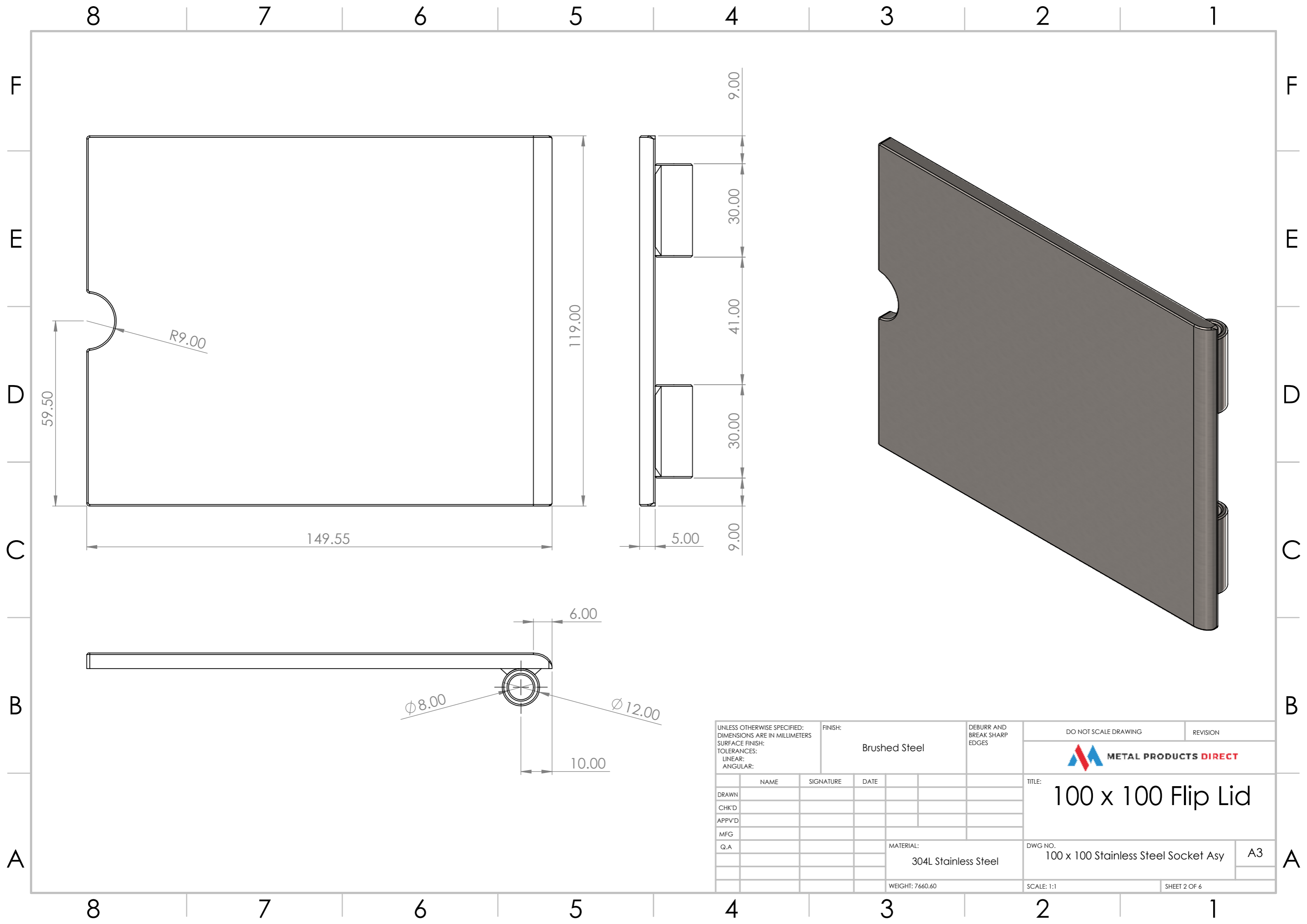
B

A

A

8 7 6 5 4 3 2 1

UNLESS OTHERWISE SPECIFIED: DIMENSIONS ARE IN MILLIMETERS SURFACE FINISH: TOLERANCES: LINEAR: ANGULAR:			FINISH:		DEBURR AND BREAK SHARP EDGES		DO NOT SCALE DRAWING		REVISION		
							TITLE: 100 x 100 Bollard Socket				
DRAWN			NAME		SIGNATURE		DATE		DWG NO. 100 x 100 Stainless Steel Socket Asy		
CHK'D									A3		
APPV'D									SCALE: 1:5		
MFG									SHEET 1 OF 6		
Q.A							MATERIAL: 304L Stainless Steel		WEIGHT: 7660.60		



R9.00

59.50

149.55

119.00

9.00

30.00

41.00

30.00

5.00

9.00

6.00

∅ 8.00

∅ 12.00

10.00

UNLESS OTHERWISE SPECIFIED:
DIMENSIONS ARE IN MILLIMETERS
SURFACE FINISH:
TOLERANCES:
LINEAR:
ANGULAR:

FINISH:
Brushed Steel

DEBURR AND
BREAK SHARP
EDGES

DO NOT SCALE DRAWING

REVISION



TITLE:
100 x 100 Flip Lid

	NAME	SIGNATURE	DATE
DRAWN			
CHK'D			
APPV'D			
MFG			
Q.A			

MATERIAL:
304L Stainless Steel

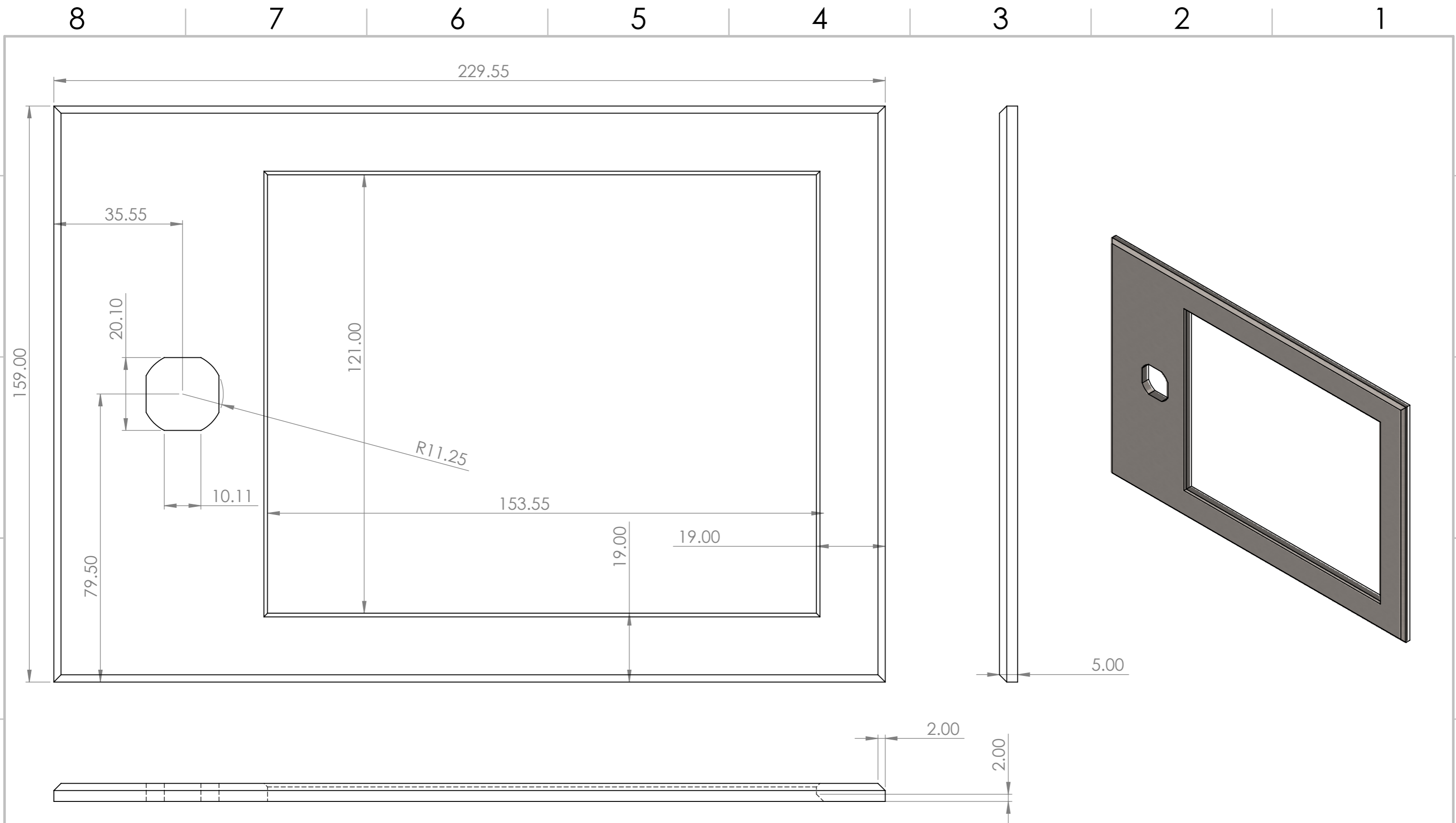
DWG NO.
100 x 100 Stainless Steel Socket Asy

A3

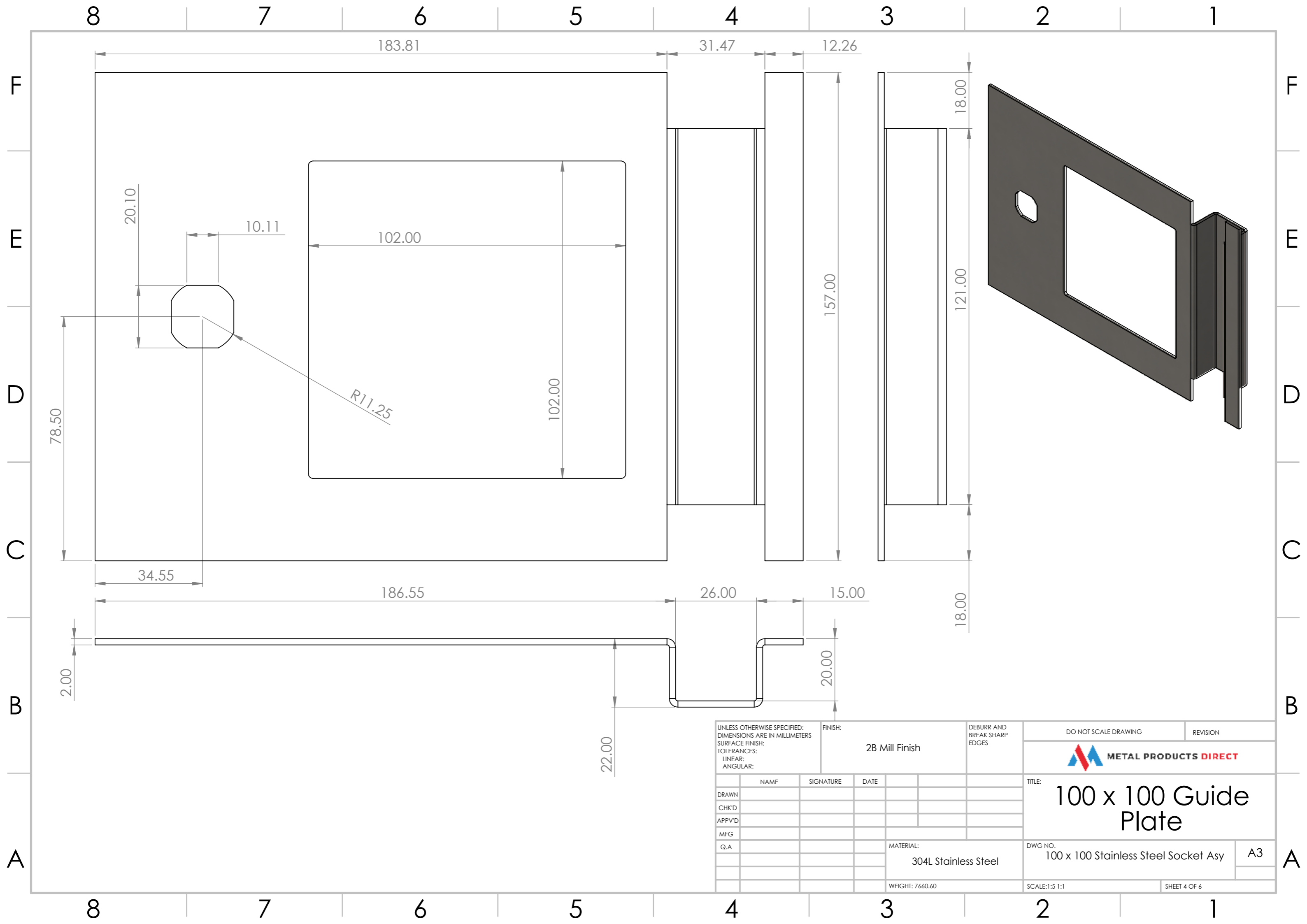
WEIGHT: 7660.60

SCALE: 1:1

SHEET 2 OF 6



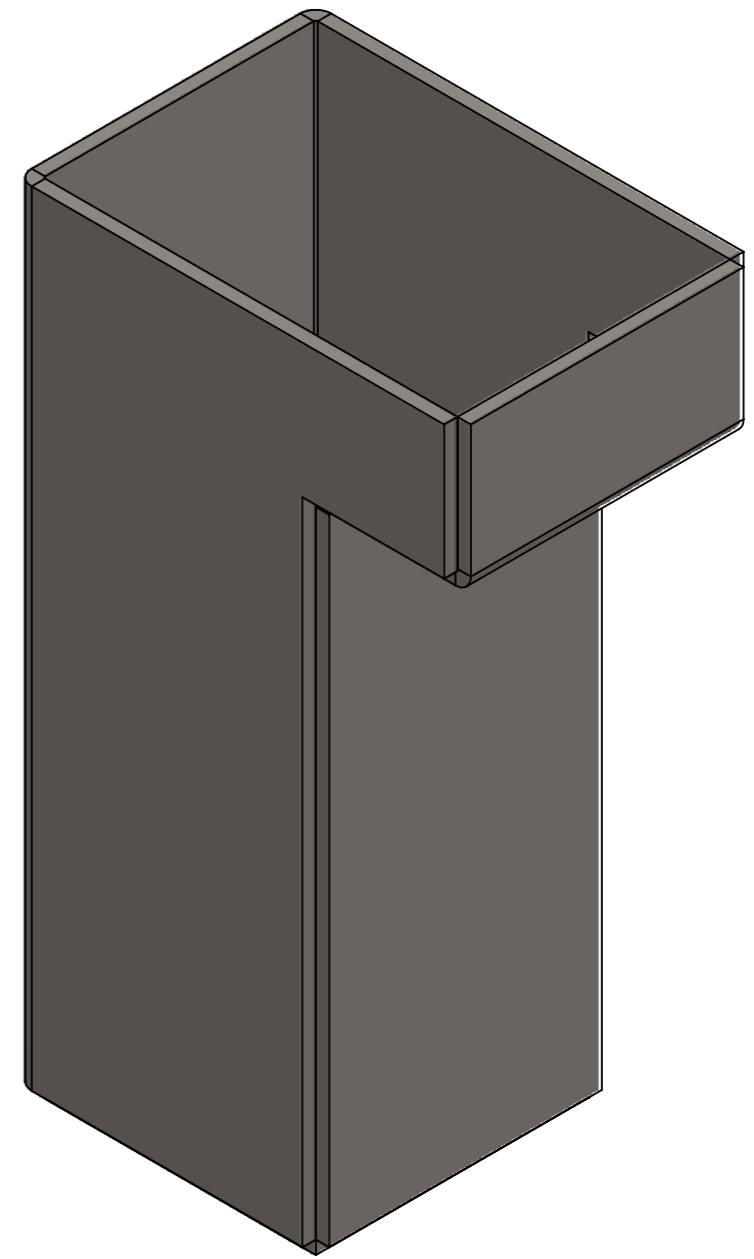
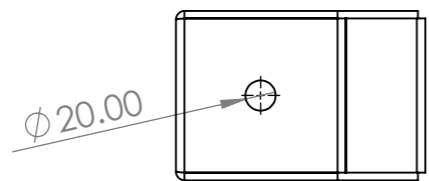
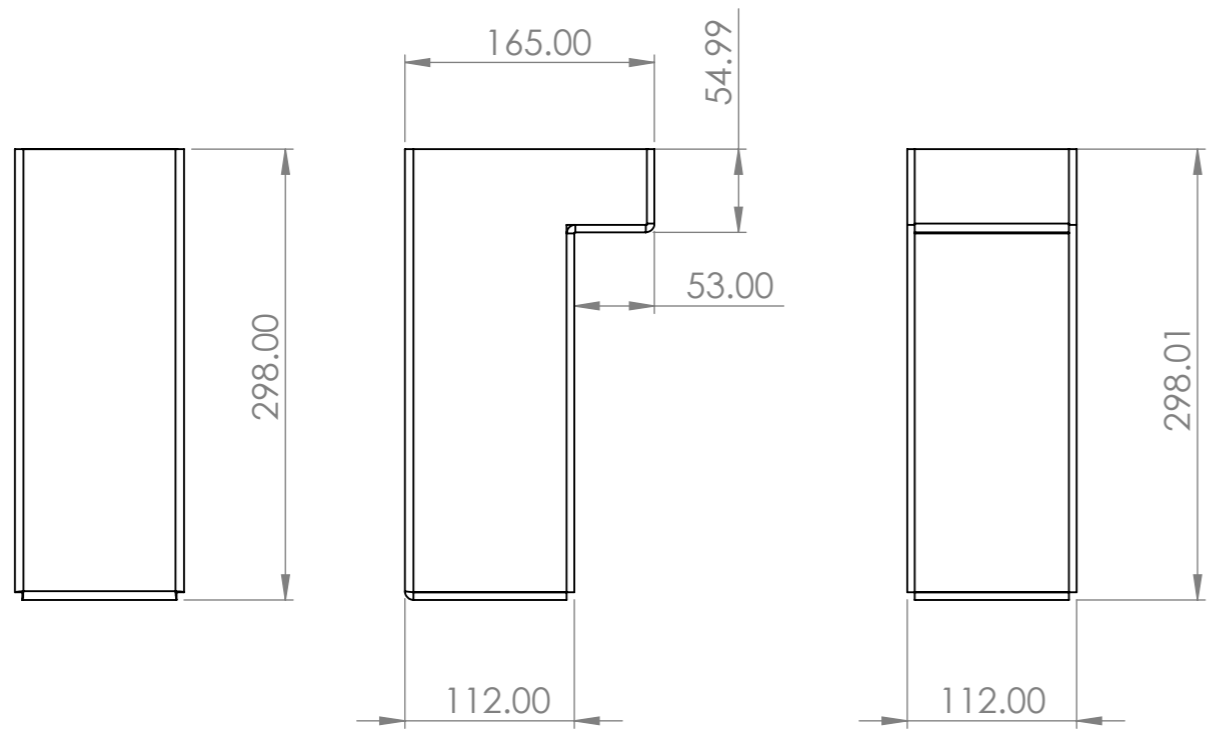
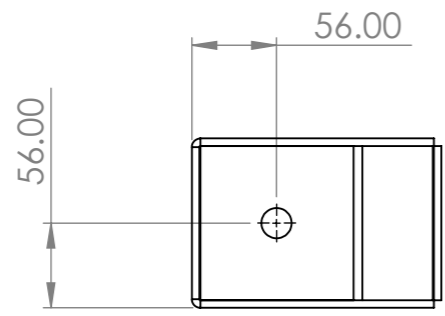
UNLESS OTHERWISE SPECIFIED: DIMENSIONS ARE IN MILLIMETERS SURFACE FINISH: TOLERANCES: LINEAR: ANGULAR:			FINISH: Brushed Steel		DEBURR AND BREAK SHARP EDGES		DO NOT SCALE DRAWING		REVISION		
DRAWN			NAME		SIGNATURE		DATE		TITLE: 100 x 100 Ground Plate		
CHK'D									DWG NO. 100 x 100 Stainless Steel Socket Asy		
APPV'D									A3		
MFG									SCALE: 1:1		
Q.A							MATERIAL: 304L Stainless Steel		SHEET 3 OF 6		
							WEIGHT: 7660.60				



8 7 6 5 4 3 2 1

F

F



D

D

C

C

B

B

A

A

8 7 6 5 4 3 2 1

UNLESS OTHERWISE SPECIFIED: DIMENSIONS ARE IN MILLIMETERS SURFACE FINISH: TOLERANCES: LINEAR: ANGULAR:			FINISH: 2B Mill Finish		DEBURR AND BREAK SHARP EDGES		DO NOT SCALE DRAWING		REVISION		
							TITLE: 100 x 100 Socket				
DRAWN			NAME		SIGNATURE		DATE		DWG NO. 100 x 100 Stainless Steel Socket Asy		
CHK'D									A3		
APPV'D									SCALE:1:5		
MFG									SHEET 5 OF 6		
Q.A							MATERIAL: 304L Stainless Steel		WEIGHT: 7660.60		

8 7 6 5 4 3 2 1

F

F

E

E

D

D

C

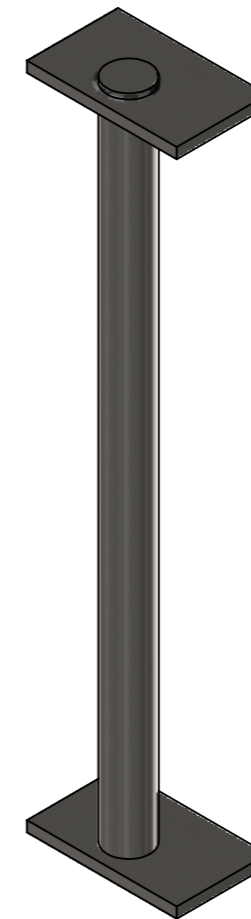
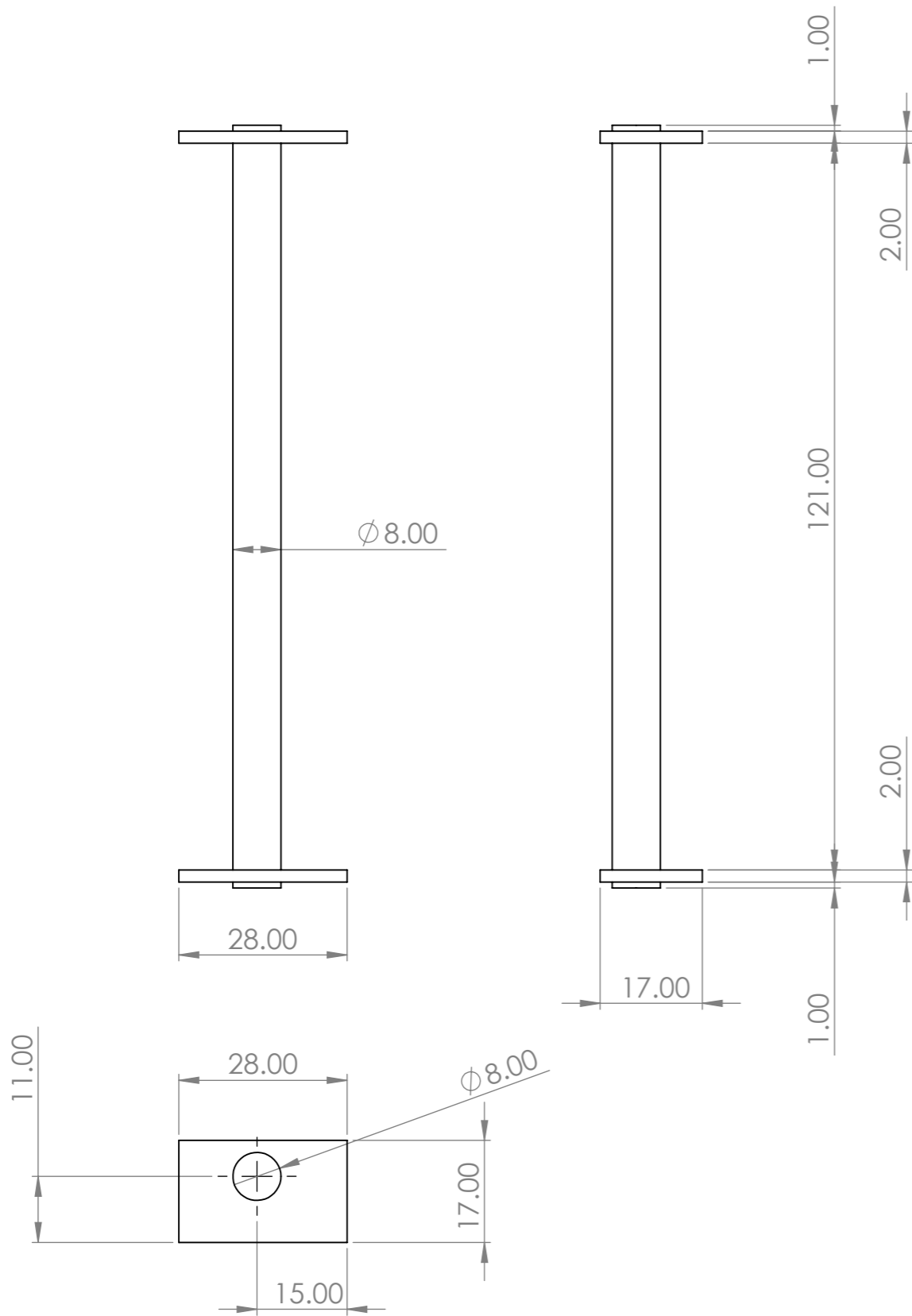
C

B

B

A

A



UNLESS OTHERWISE SPECIFIED: DIMENSIONS ARE IN MILLIMETERS SURFACE FINISH: TOLERANCES: LINEAR: ANGULAR:				FINISH: 2B Mill Finish		DEBURR AND BREAK SHARP EDGES		DO NOT SCALE DRAWING		REVISION	
								TITLE: 100 x 100 Hinge			
DRAWN								DWG NO. 100 x 100 Stainless Steel Socket Asy			
CHK'D											
APPV'D											
MFG											
Q.A											
				MATERIAL: 304L Stainless Steel				SCALE: 1:1		A3	
				WEIGHT: 7660.60				SHEET 6 OF 6			

8 7 6 5 4 3 2 1