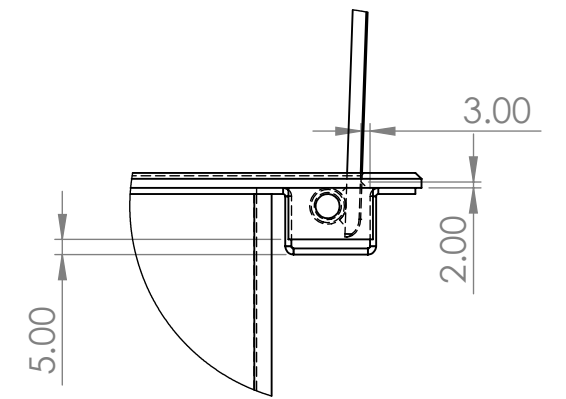
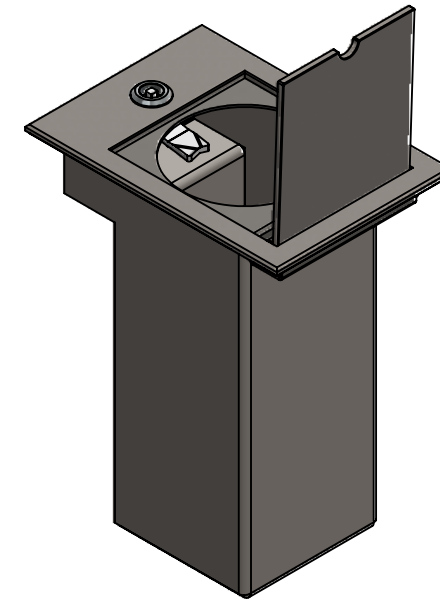
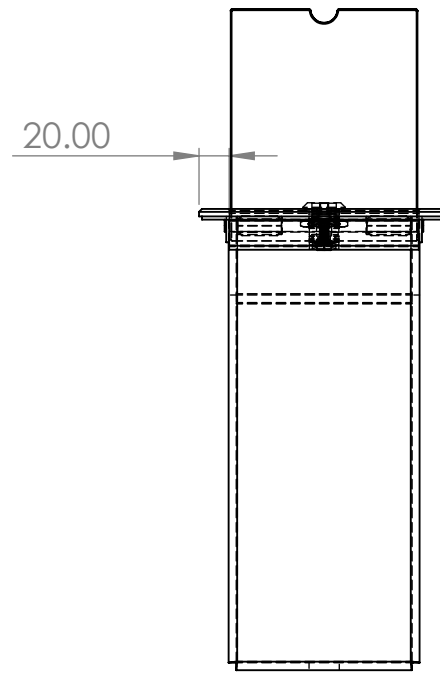
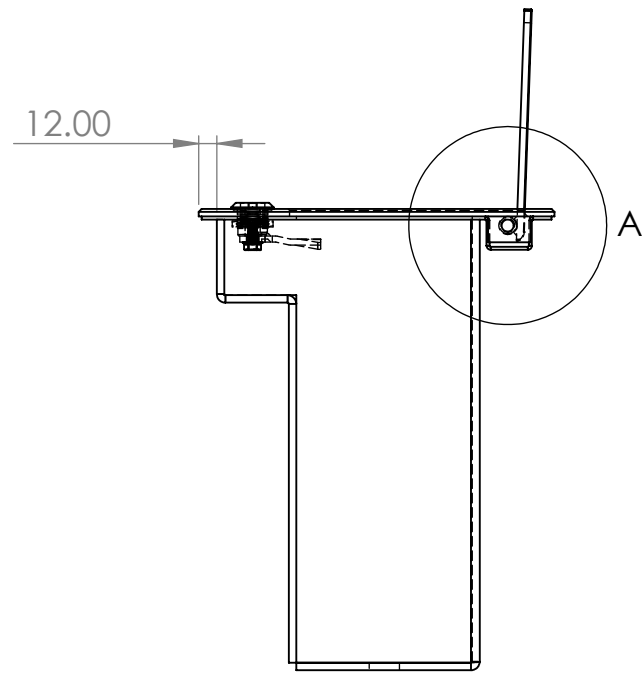
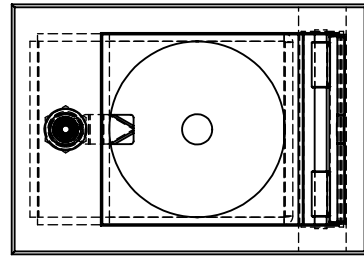


8 7 6 5 4 3 2 1

F

F



D

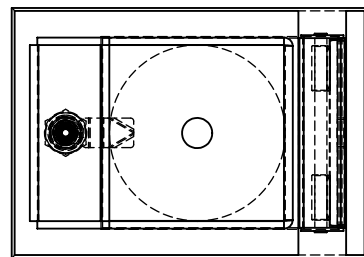
D

C


C

B

B



DETAIL A  
SCALE 2 : 5

UNLESS OTHERWISE SPECIFIED: DIMENSIONS ARE IN MILLIMETERS SURFACE FINISH: TOLERANCES: LINEAR: ANGULAR:			FINISH:		DEBURR AND BREAK SHARP EDGES		DO NOT SCALE DRAWING		REVISION			
												
							TITLE: <b>114.3 Bollard socket</b>					
							DWG NO. 114.3 Socket Assembly				A3	
							MATERIAL: Stainless Steel		SCALE:1:5		SHEET 1 OF 6	
							WEIGHT: 8562.51					
NAME	SIGNATURE	DATE										
DRAWN												
CHK'D												
APPV'D												
MFG												
Q.A												

8 7 6 5 4 3 2 1

A

A

8 7 6 5 4 3 2 1

F

F

E

E

D

D

C

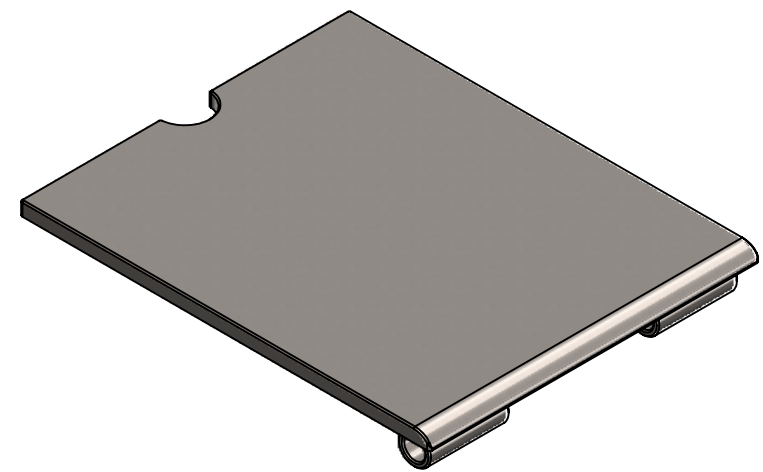
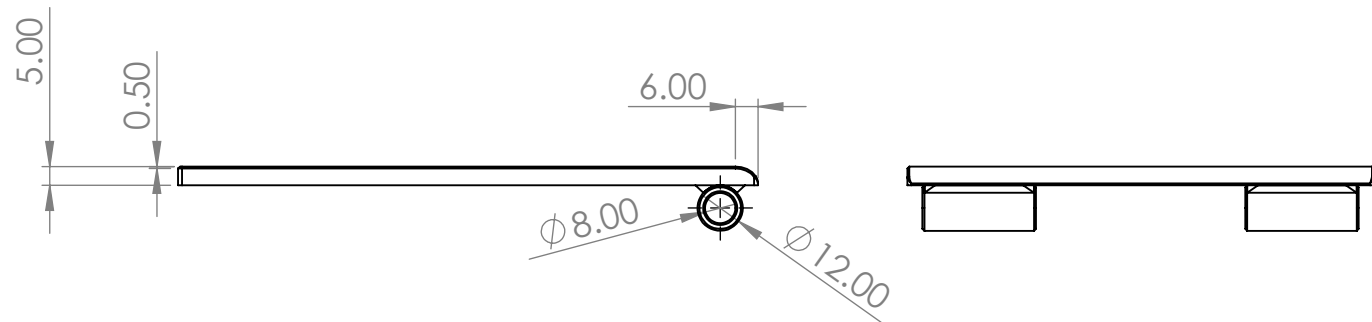
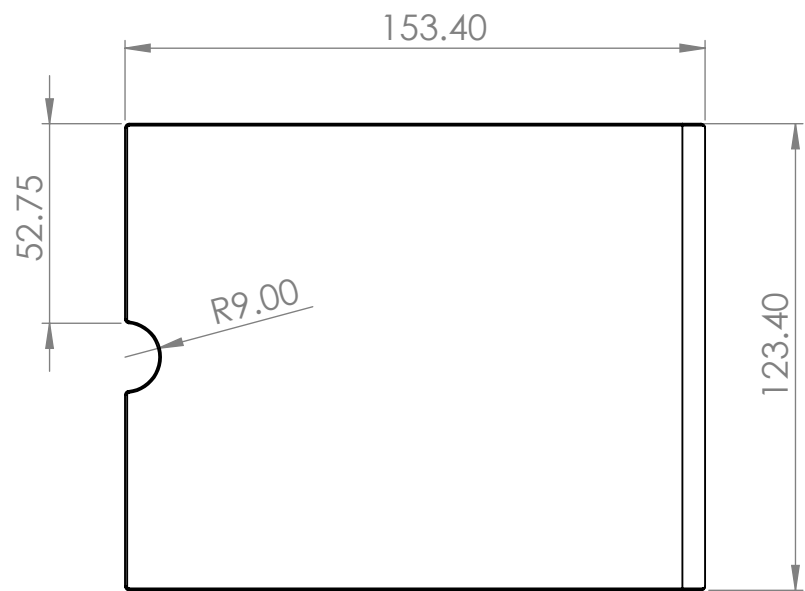
C

B

B

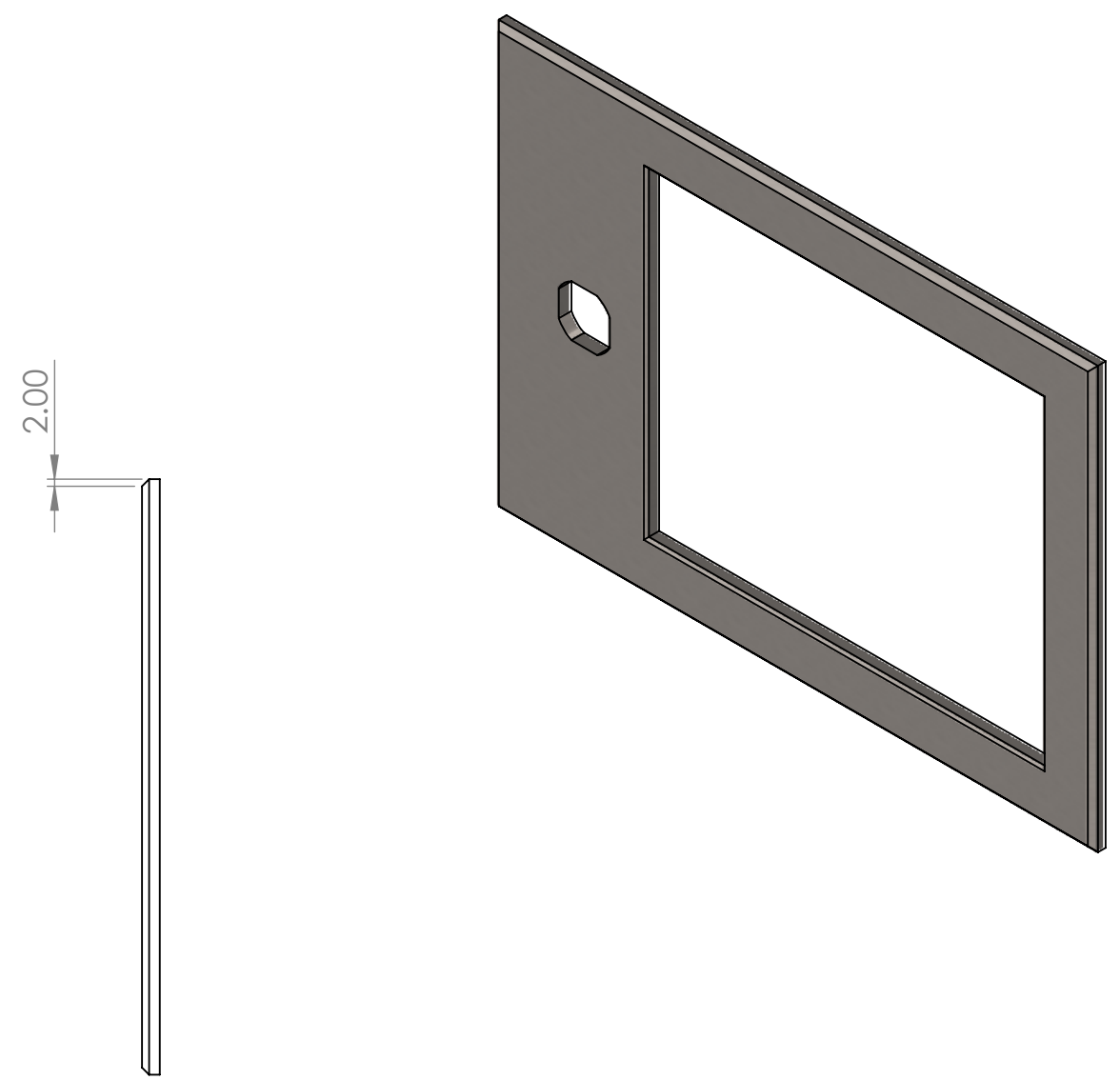
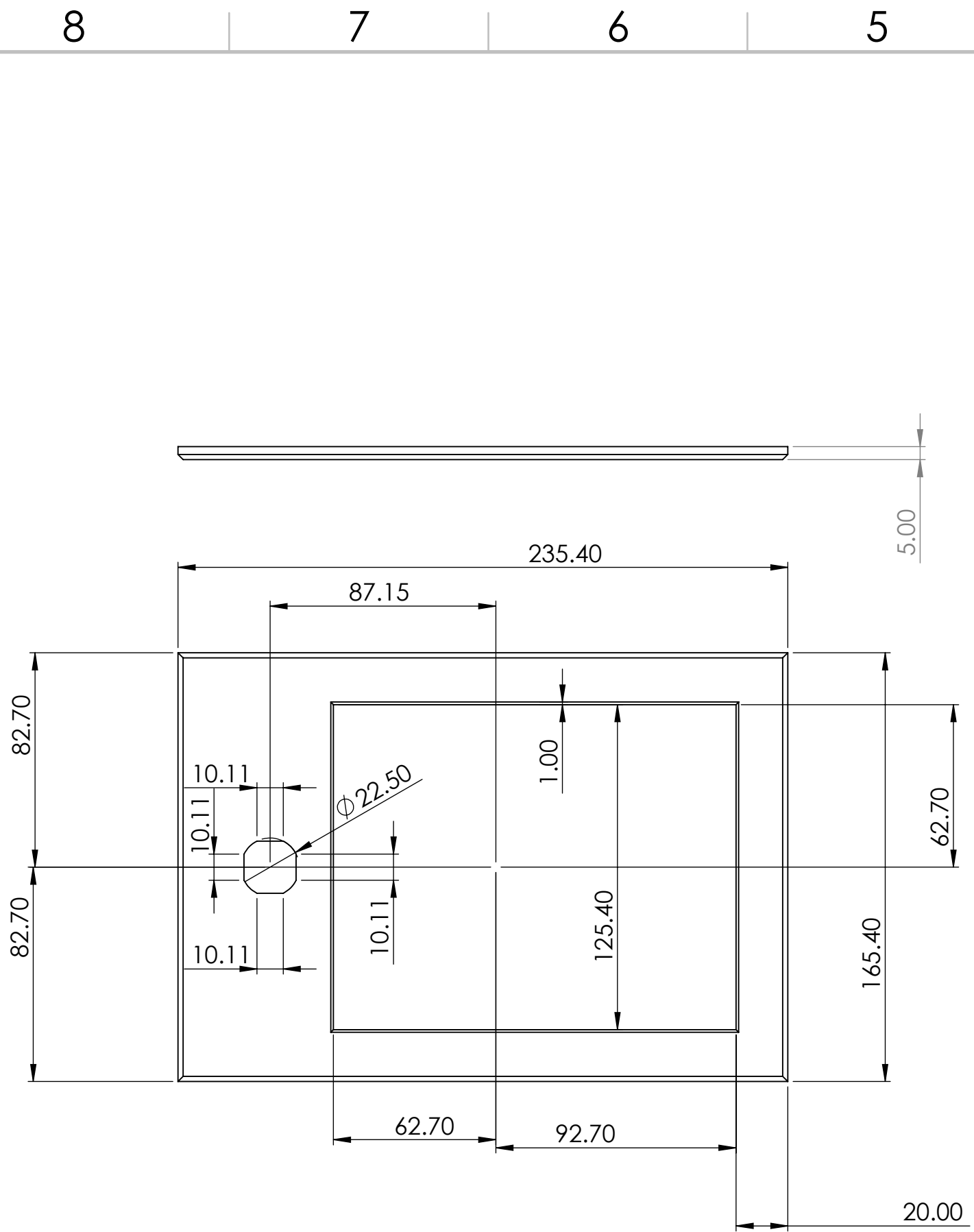
A

A



UNLESS OTHERWISE SPECIFIED: DIMENSIONS ARE IN MILLIMETERS SURFACE FINISH: TOLERANCES: LINEAR: ANGULAR:			FINISH:		DEBURR AND BREAK SHARP EDGES		DO NOT SCALE DRAWING		REVISION		
							TITLE: <b>114.3mm Flip Lip</b>				
DRAWN			NAME		SIGNATURE		DATE		DWG NO. 114.3 Socket Assembly		
CHK'D									A3		
APPV'D									SCALE: 1:5		
MFG									SHEET 2 OF 6		
Q.A							MATERIAL: Polished Stainless Steel		WEIGHT: 8562.51		

8 7 6 5 4 3 2 1



UNLESS OTHERWISE SPECIFIED: DIMENSIONS ARE IN MILLIMETERS SURFACE FINISH: TOLERANCES: LINEAR: ANGULAR:		FINISH:		DEBURR AND BREAK SHARP EDGES		DO NOT SCALE DRAWING		REVISION	
DRAWN		NAME		SIGNATURE		DATE		TITLE: <b>114.3mm Ground plate</b>	
CHK'D								DWG NO. 114.3 Socket Assembly	
APPV'D								A3	
MFG								SCALE:1:5	
Q.A						MATERIAL: Polished Stainless steel		SHEET 3 OF 6	
						WEIGHT: 8562.51			

8 7 6 5 4 3 2 1

F

F

E

E

D

D

C

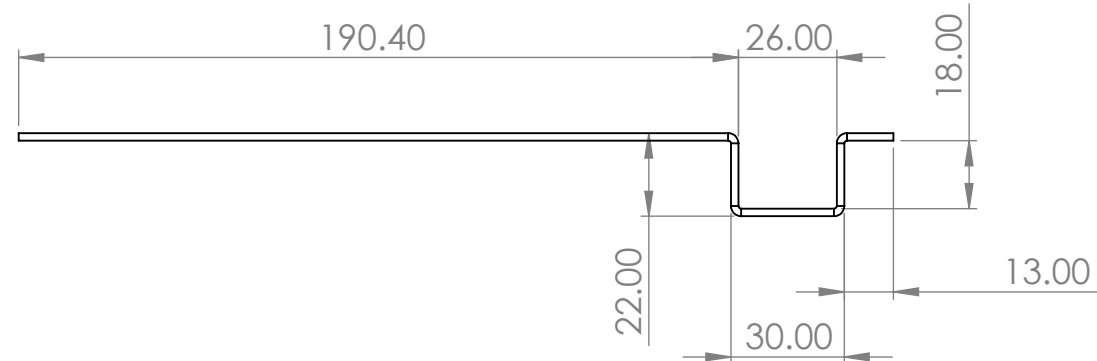
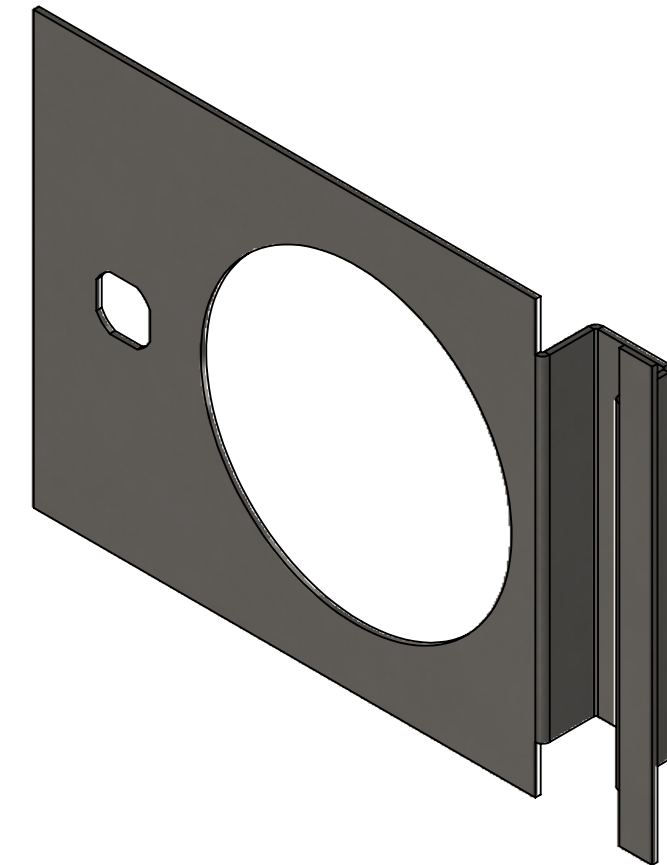
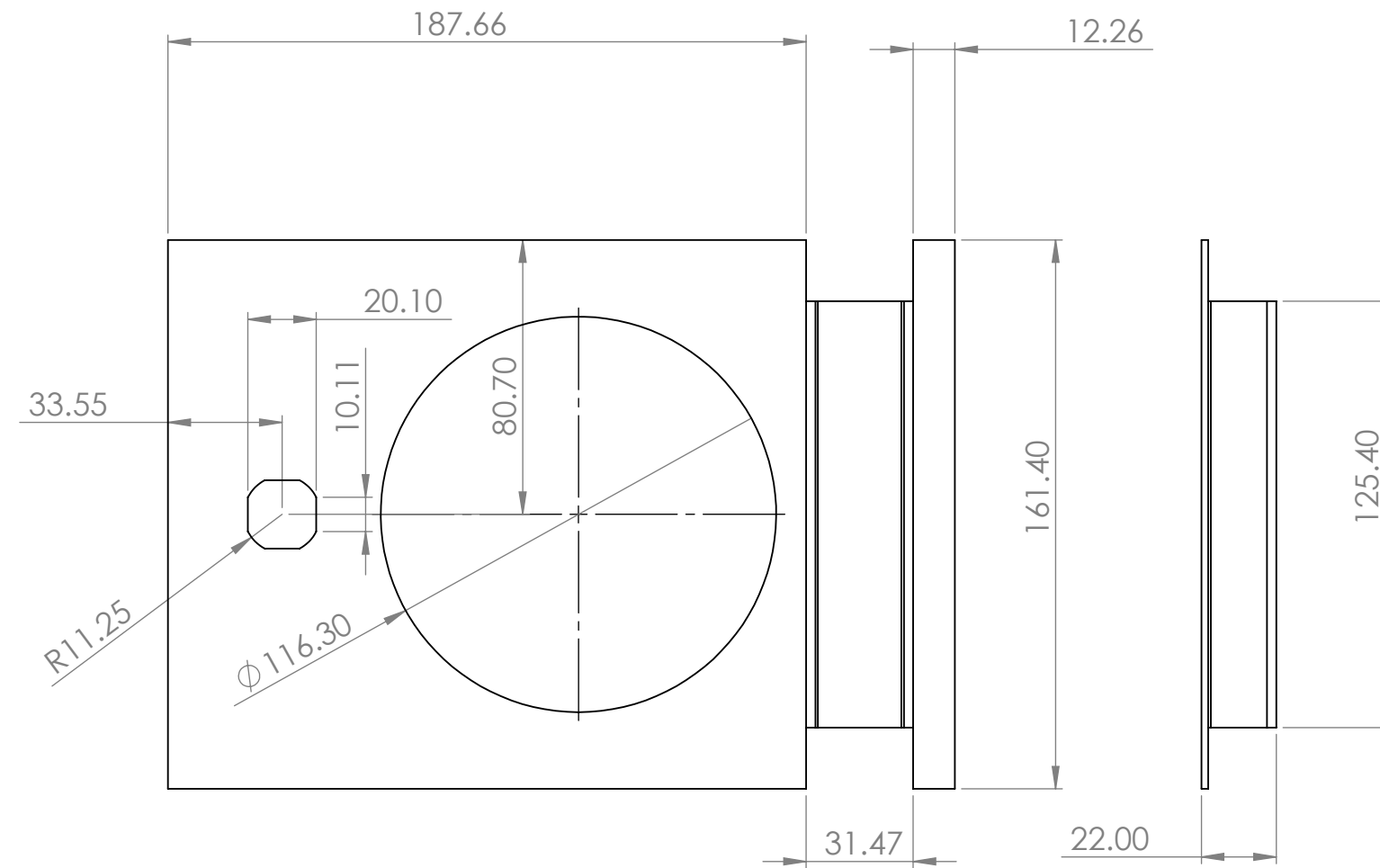
C

B

B

A

A

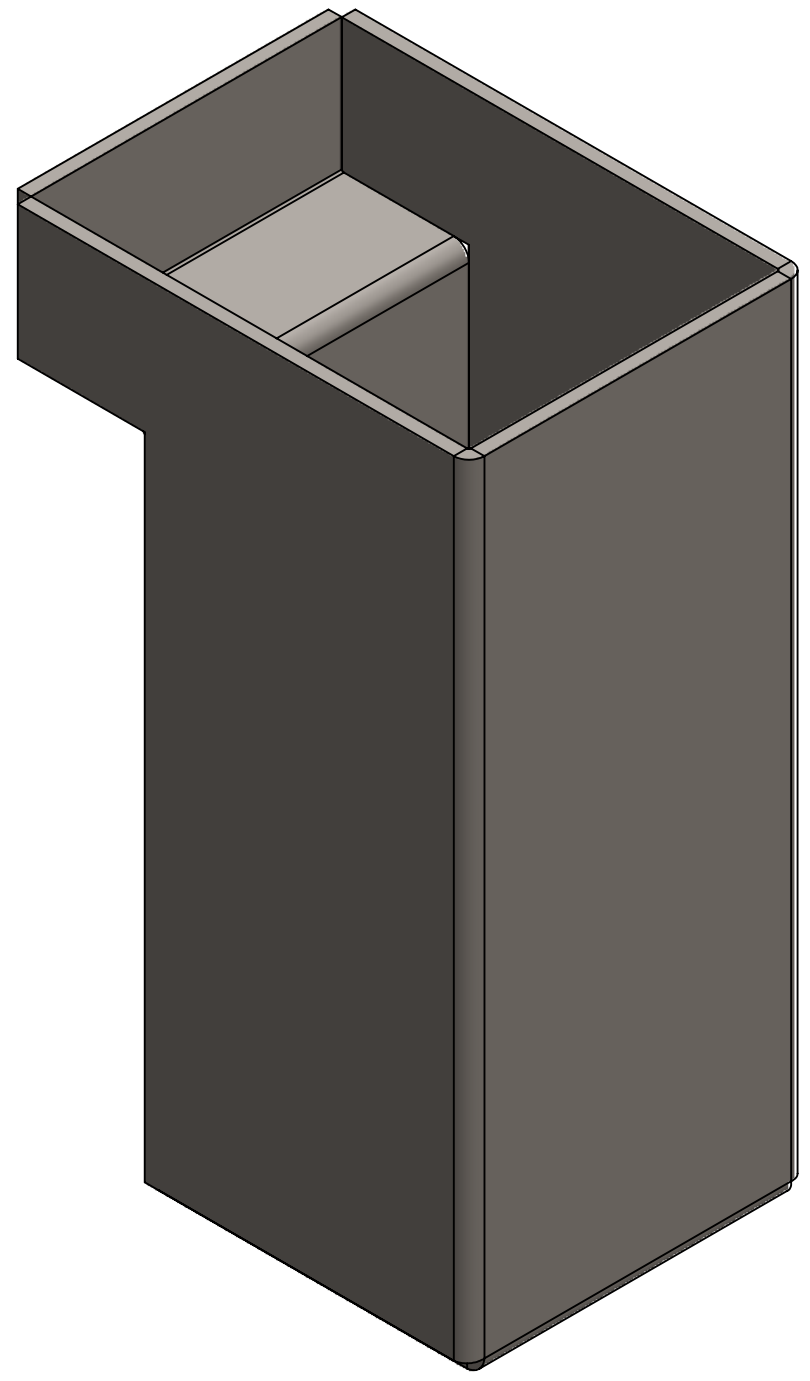
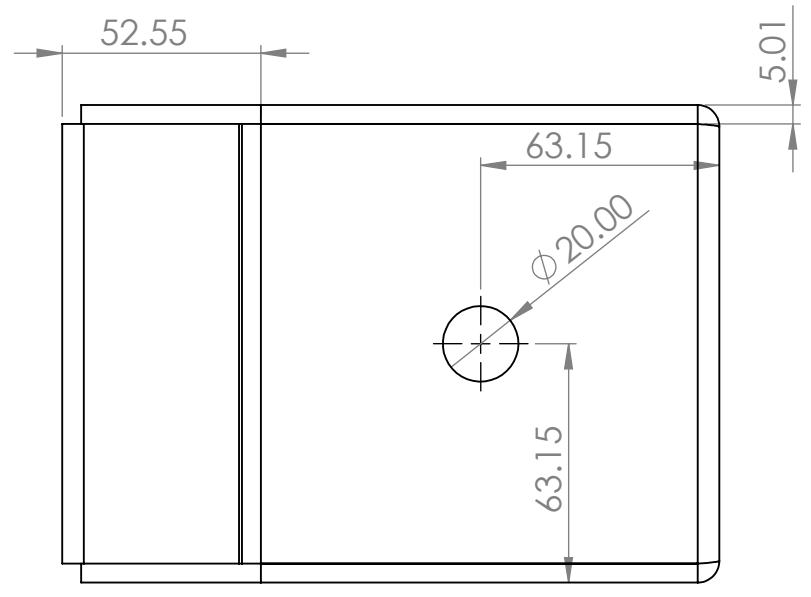
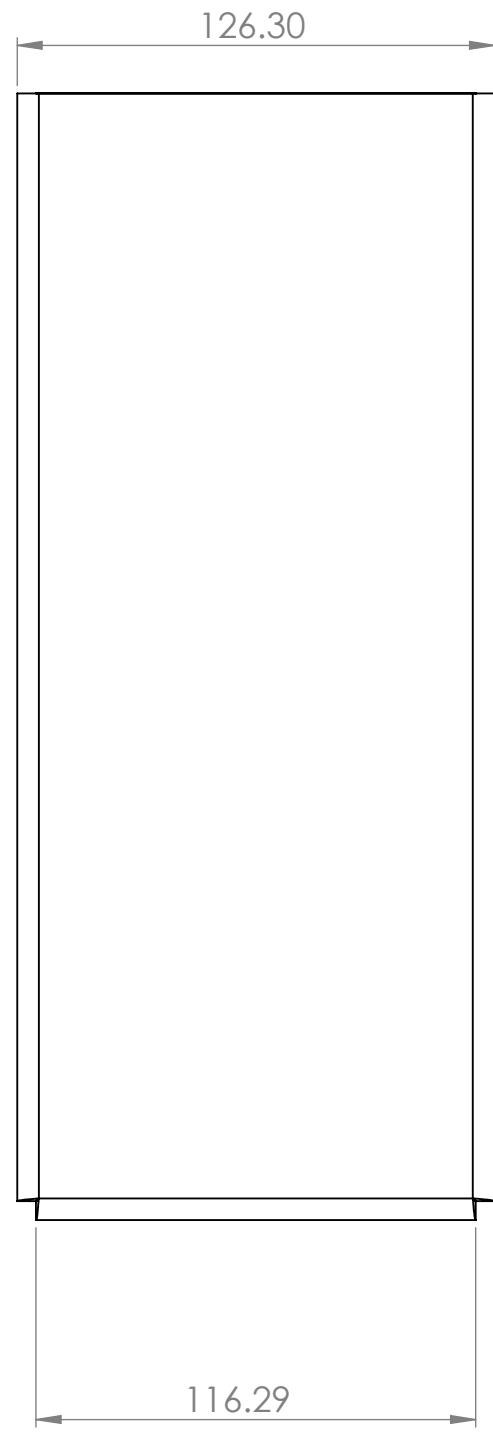
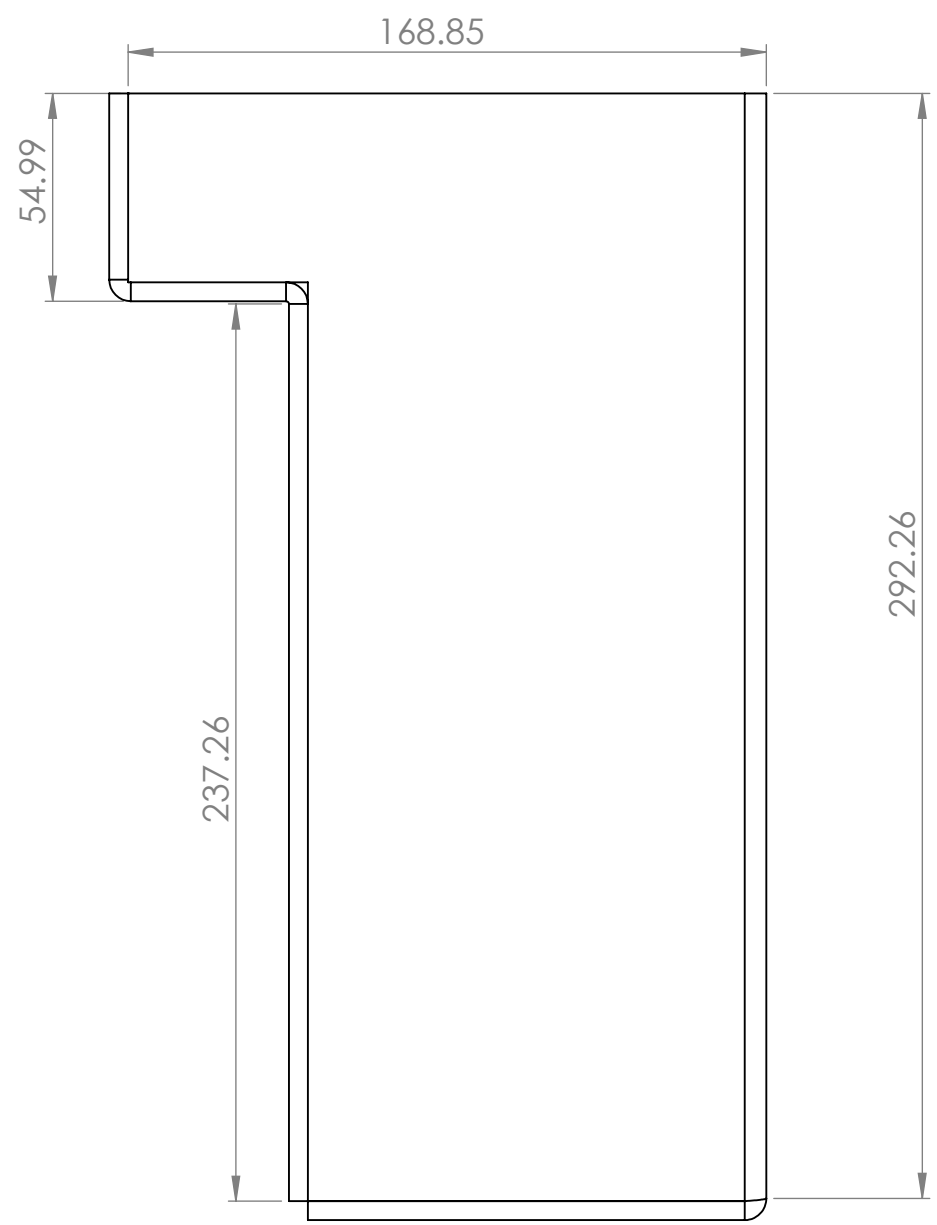


UNLESS OTHERWISE SPECIFIED: DIMENSIONS ARE IN MILLIMETERS SURFACE FINISH: TOLERANCES: LINEAR: ANGULAR:				FINISH:		DEBURR AND BREAK SHARP EDGES		DO NOT SCALE DRAWING		REVISION																																																					
<table border="1"> <thead> <tr> <th></th> <th>NAME</th> <th>SIGNATURE</th> <th>DATE</th> <th></th> <th></th> <th></th> <th></th> </tr> </thead> <tbody> <tr> <td>DRAWN</td> <td></td> <td></td> <td></td> <td></td> <td></td> <td></td> <td></td> </tr> <tr> <td>CHK'D</td> <td></td> <td></td> <td></td> <td></td> <td></td> <td></td> <td></td> </tr> <tr> <td>APPV'D</td> <td></td> <td></td> <td></td> <td></td> <td></td> <td></td> <td></td> </tr> <tr> <td>MFG</td> <td></td> <td></td> <td></td> <td></td> <td></td> <td></td> <td></td> </tr> <tr> <td>Q.A</td> <td></td> <td></td> <td></td> <td></td> <td></td> <td></td> <td></td> </tr> </tbody> </table>									NAME	SIGNATURE	DATE					DRAWN								CHK'D								APPV'D								MFG								Q.A								MATERIAL:		TITLE:		DWG NO.		A3	
									NAME	SIGNATURE	DATE																																																				
								DRAWN																																																							
								CHK'D																																																							
								APPV'D																																																							
MFG																																																															
Q.A																																																															
2B Stainless Steel		114.3mm Guide Plate		114.3 Socket Assembly																																																											
WEIGHT: 8562.51		SCALE: 1:5		SHEET 4 OF 6																																																											

8 7 6 5 4 3 2 1

F  
E  
D  
C  
B  
A

F  
E  
D  
C  
B  
A



UNLESS OTHERWISE SPECIFIED: DIMENSIONS ARE IN MILLIMETERS SURFACE FINISH: TOLERANCES: LINEAR: ANGULAR:			FINISH:		DEBURR AND BREAK SHARP EDGES		DO NOT SCALE DRAWING		REVISION			
DRAWN			NAME		SIGNATURE		DATE		TITLE: <b>114.3mm Socket</b>			
CHK'D												
APPV'D												
MFG												
Q.A									MATERIAL: 2B Stainless Steel		DWG NO. 114.3 Socket Assembly	A3
									WEIGHT: 8562.51		SCALE: 1:5	SHEET 5 OF 6

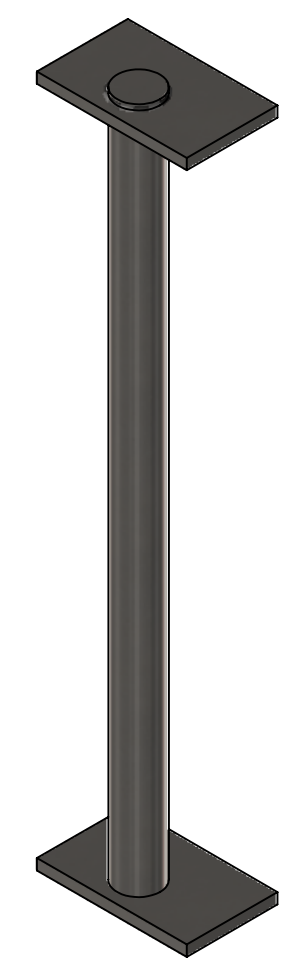
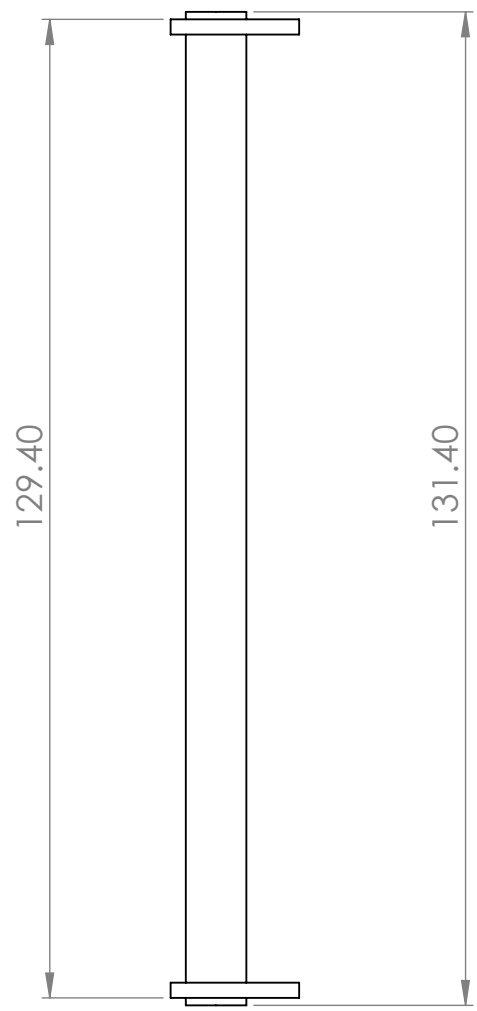
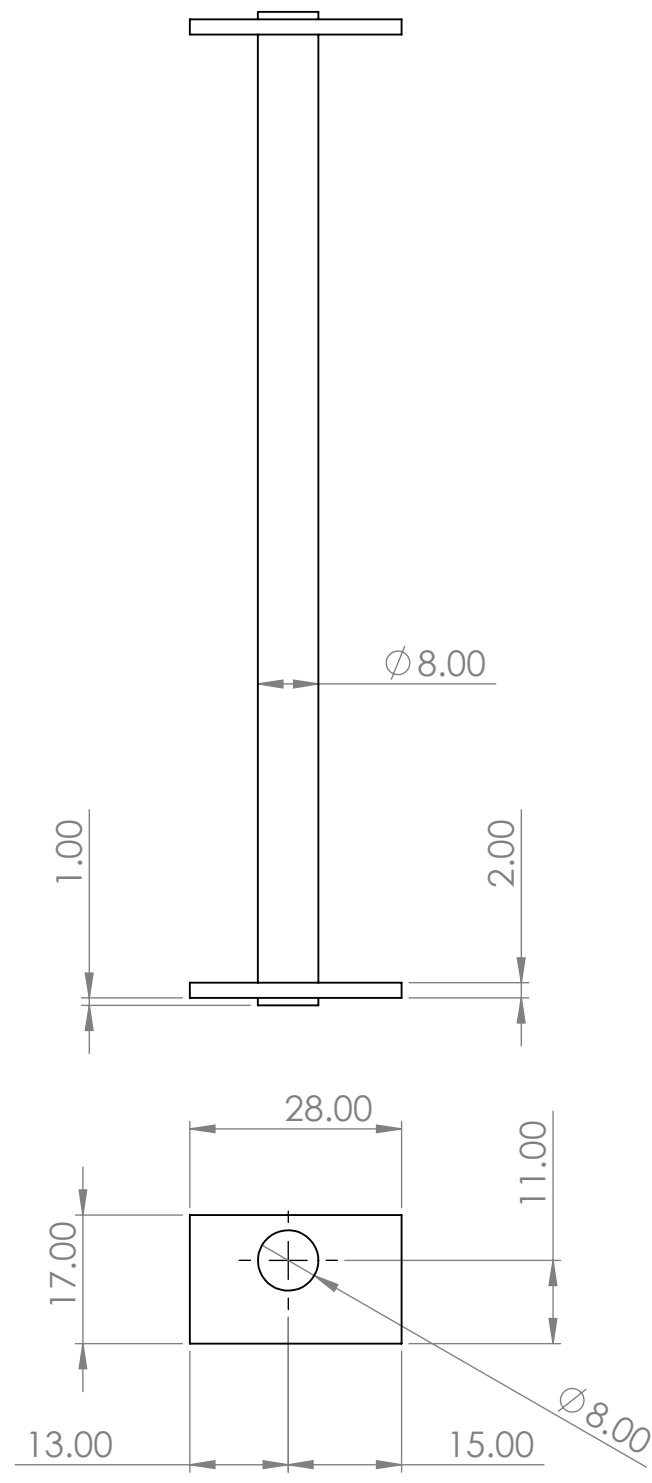
8 7 6 5 4 3 2 1


A

8 7 6 5 4 3 2 1

F  
E  
D  
C  
B  
A

F  
E  
D  
C  
B  
A



UNLESS OTHERWISE SPECIFIED: DIMENSIONS ARE IN MILLIMETERS SURFACE FINISH: TOLERANCES: LINEAR: ANGULAR:			FINISH:		DEBURR AND BREAK SHARP EDGES		DO NOT SCALE DRAWING		REVISION		
											
							TITLE: <b>114.3mm Hinge</b>				
DRAWN			NAME		SIGNATURE		DATE		DWG NO. 114.3 Socket Assembly		
CHK'D									A3		
APPV'D									SCALE:1:5		
MFG									SHEET 6 OF 6		
Q.A							MATERIAL: 2B Stainless steel		WEIGHT: 8562.51		

8 7 6 5 4 3 2 1