

8 7 6 5 4 3 2 1

F

F

E

E

D

D

C

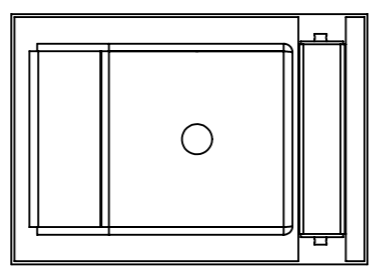
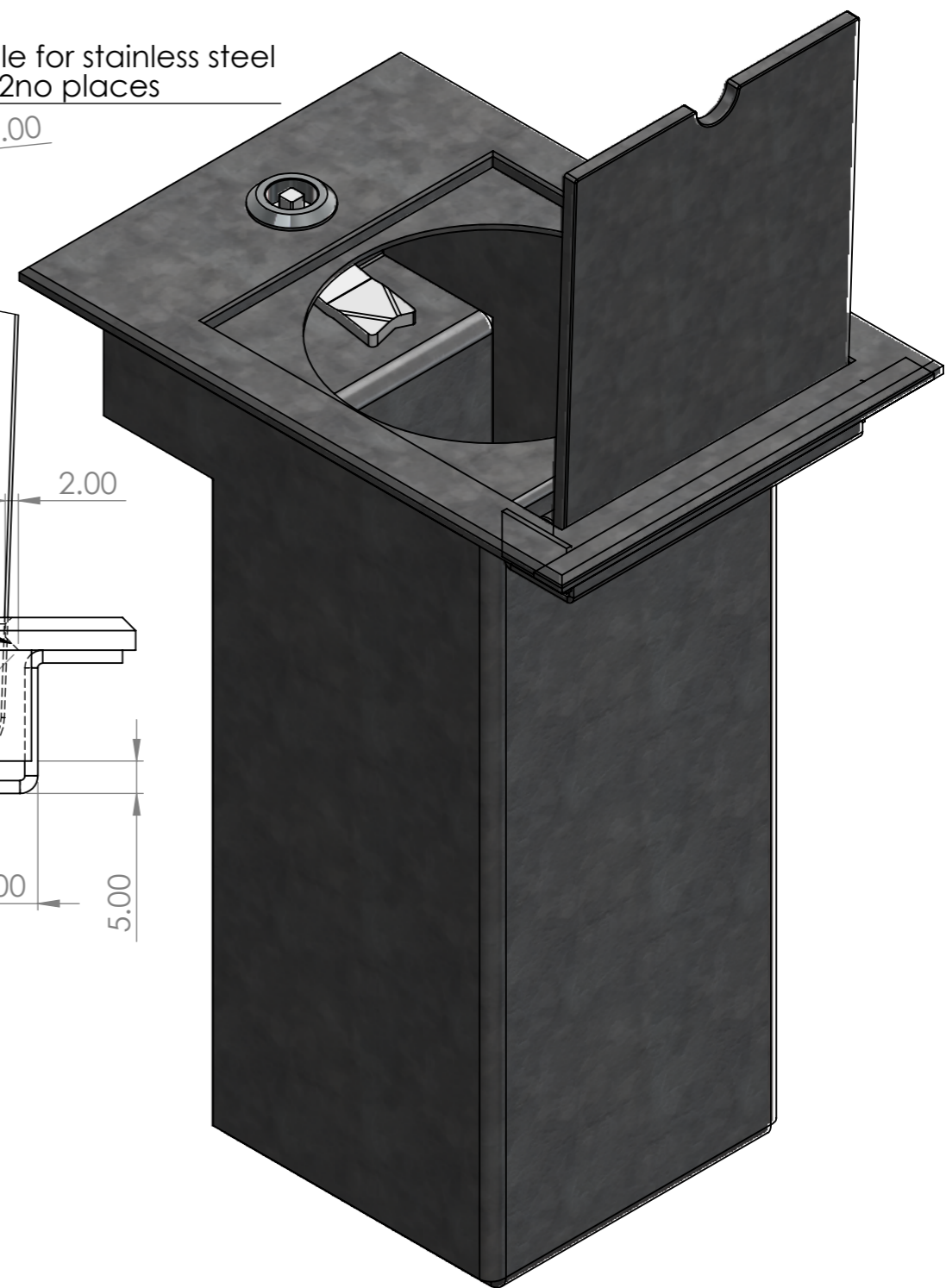
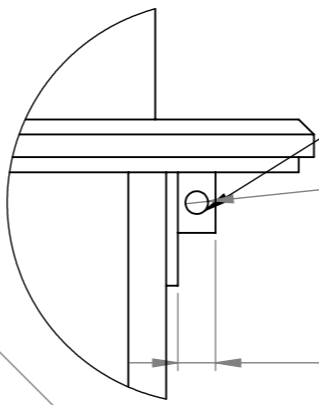
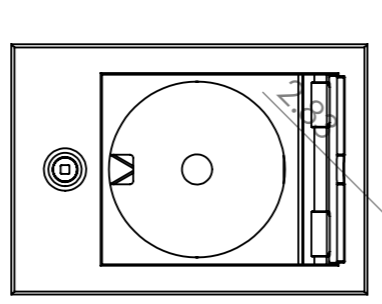
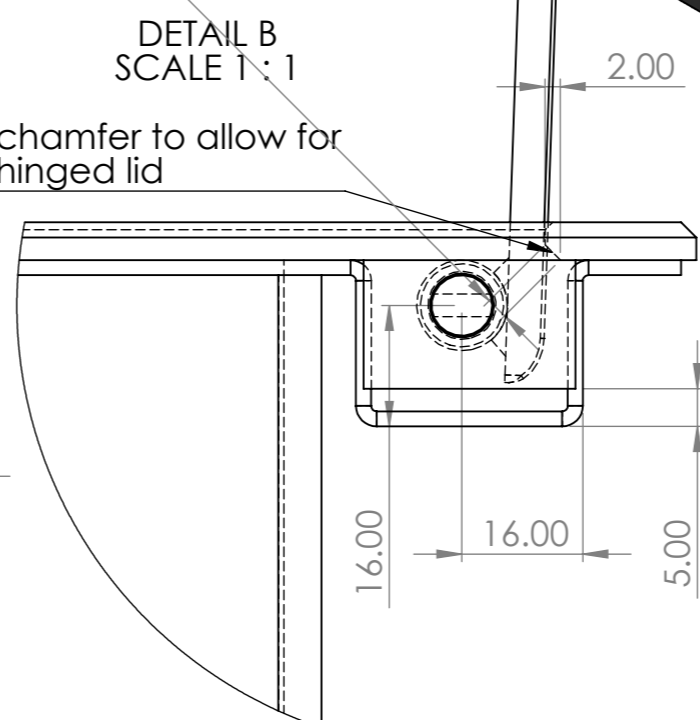
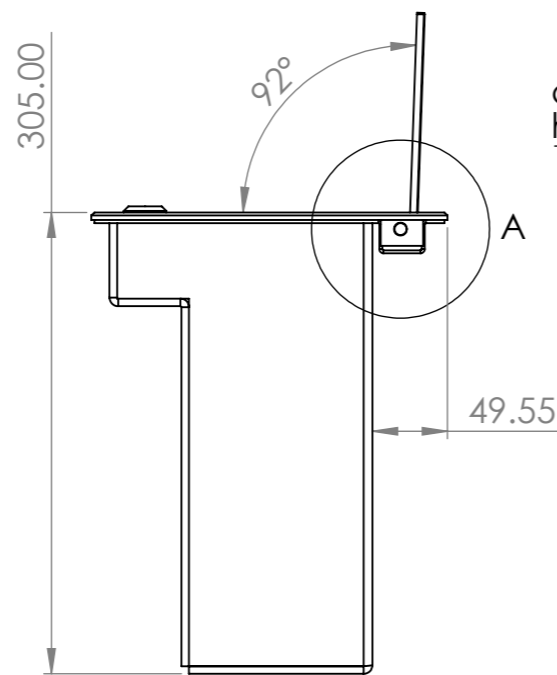
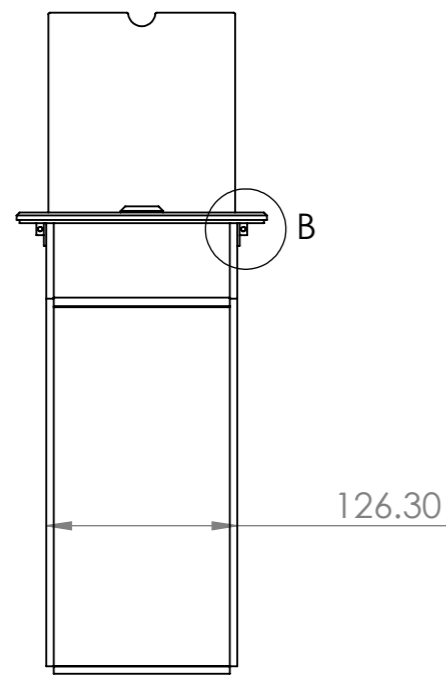
C

B

B

A

A



DETAIL A  
SCALE 1 : 1

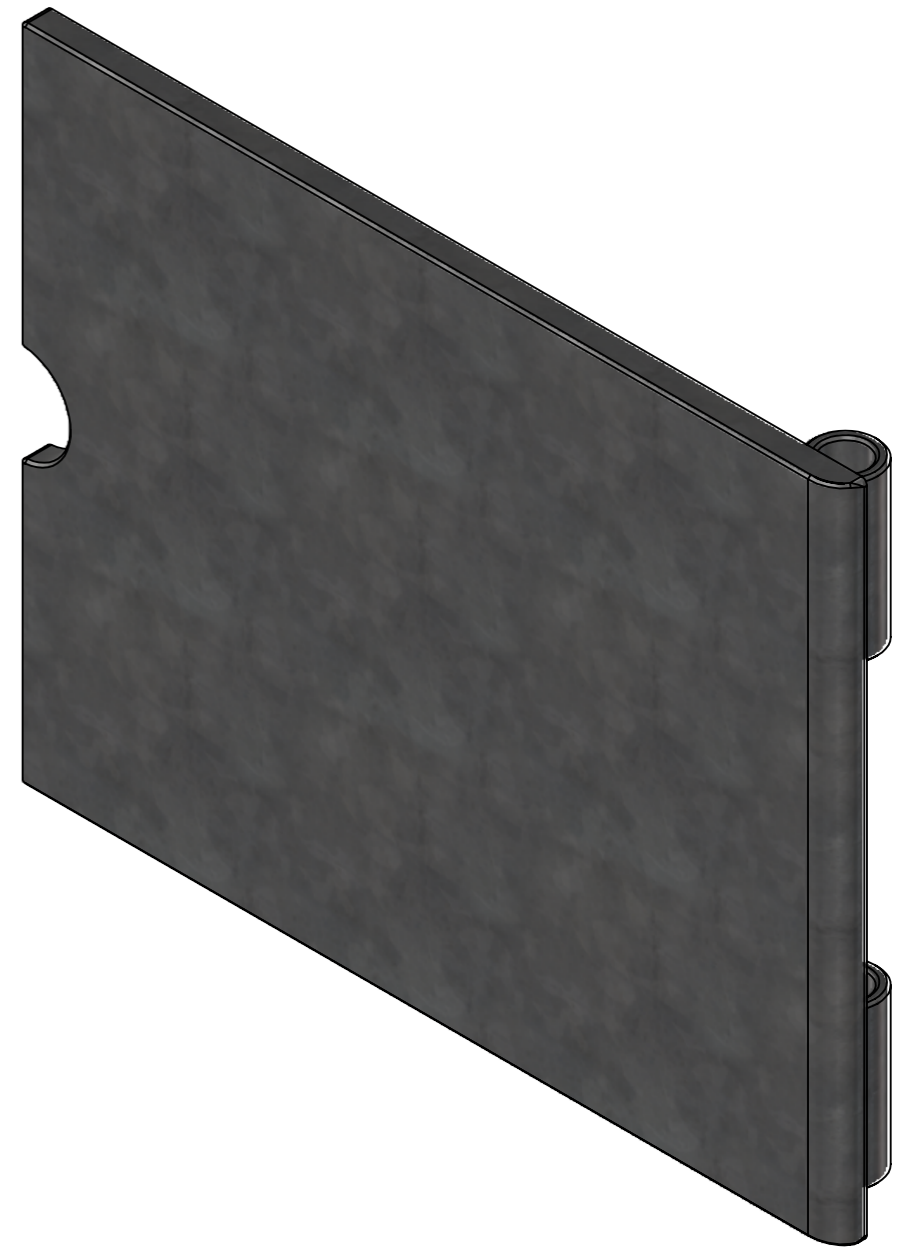
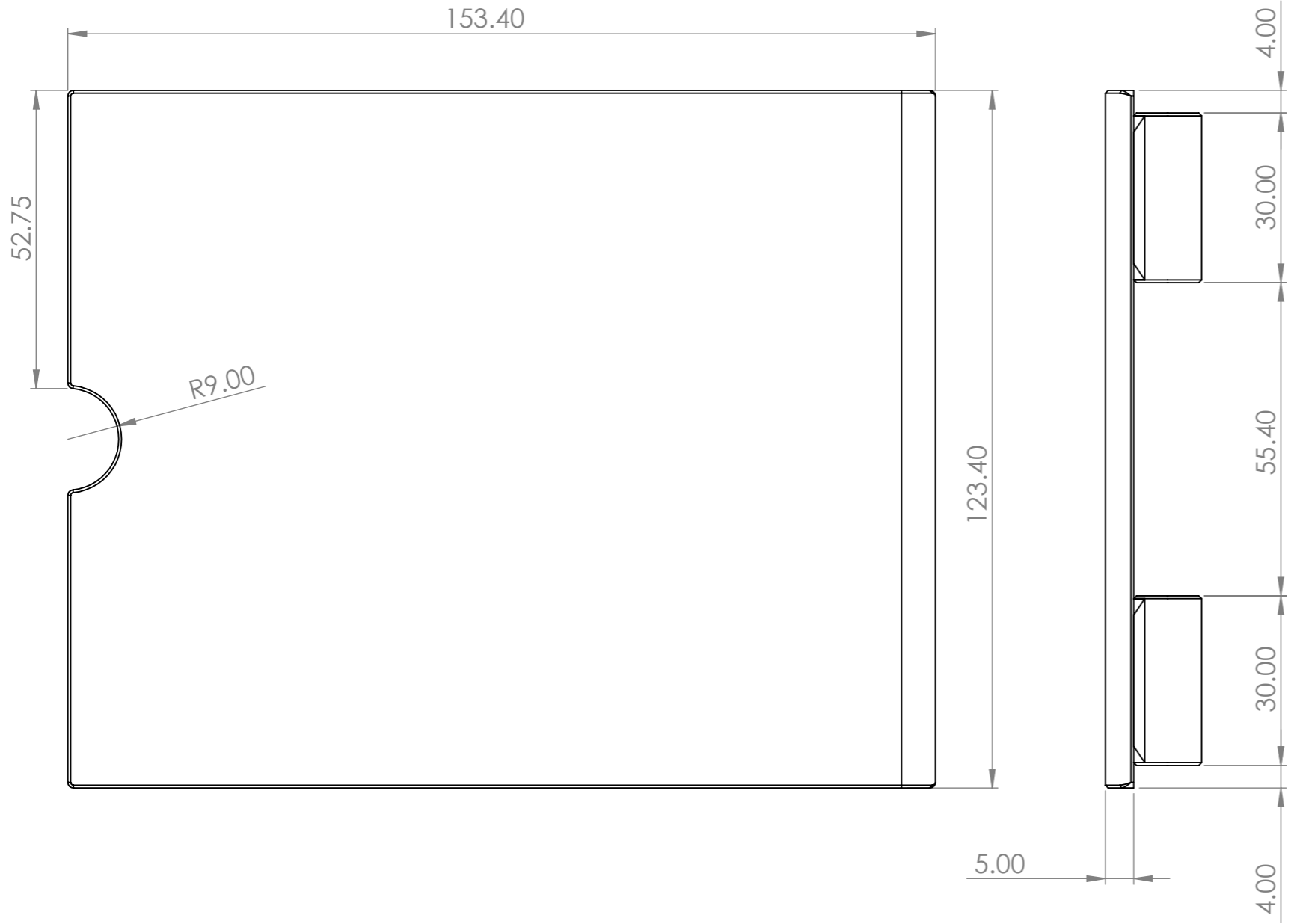
|  |  |                       |  |                                    |  |                               |  |  |  |
|--|--|-----------------------|--|------------------------------------|--|-------------------------------|--|--|--|
| UNLESS OTHERWISE SPECIFIED:<br>DIMENSIONS ARE IN MILLIMETERS |  | FINISH:<br>Galvanized |  | DEBURR AND<br>BREAK SHARP<br>EDGES |  | DO NOT SCALE DRAWING          |  | REVISION   |  |
| SURFACE FINISH:  |  |                       |  |                                    |  |                               |  | TITLE:<br><b>114.3mm Galv<br/>Bollard Socket</b> |  |
| TOLERANCES:<br>LINEAR:<br>ANGULAR:                           |  |                       |  |                                    |  |                               |  |  |  |
| DRAWN  |  | NAME                  |  | SIGNATURE                          |  | DATE                          |  |  |  |
| CHK'D  |  |                       |  |                                    |  |                               |  |  |  |
| APPV'D   |  |                       |  |                                    |  |                               |  |  |  |
| MFG  |  |                       |  |                                    |  |                               |  |  |  |
| Q.A  |  |                       |  |                                    |  | MATERIAL:<br>Galvanized Steel |  | SCALE:1:5  |  |
|  |  |                       |  |                                    |  | WEIGHT: 8425.65               |  | SHEET 1 OF 6                                     |  |

8 7 6 5 4 3 2 1

8 7 6 5 4 3 2 1

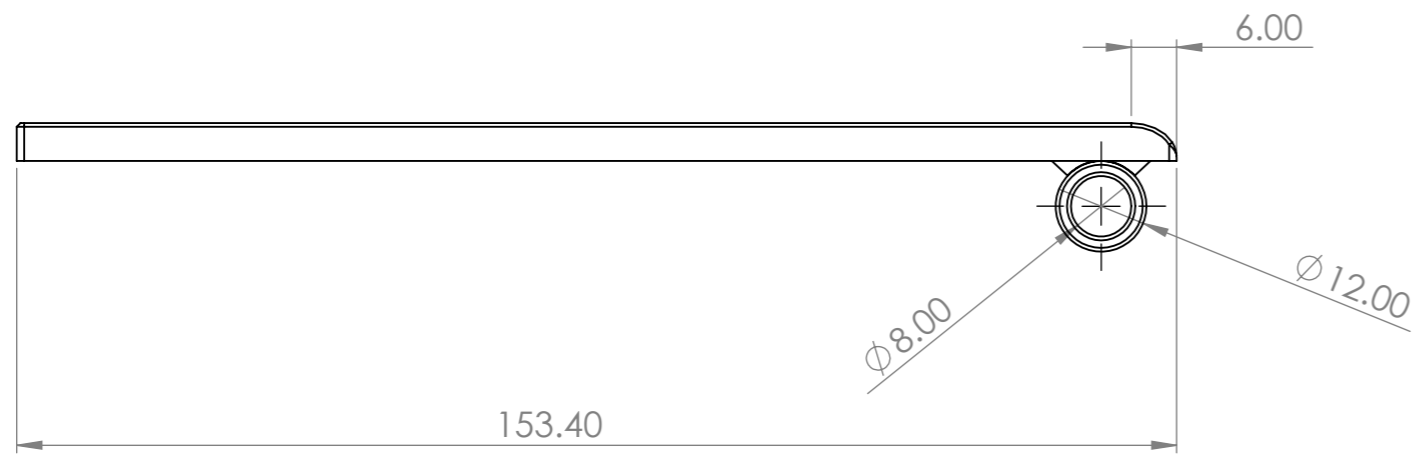
F

F



B

B



|   |      |           |                                 |  |                                    |  |  |  |            |  |              |  |
|---|------|-----------|---------------------------------|--|------------------------------------|--|--|--|------------|--|--------------|--|
| UNLESS OTHERWISE SPECIFIED:<br>DIMENSIONS ARE IN MILLIMETERS<br>SURFACE FINISH:<br>TOLERANCES:<br>LINEAR:<br>ANGULAR: |      |           | FINISH:<br><br>Galvanized Steel |  | DEBURR AND<br>BREAK SHARP<br>EDGES |  | DO NOT SCALE DRAWING                   |  | REVISION   |  |              |  |
|   |      |           |                                 |  |                                    |  |  |  |            |  |              |  |
|   |      |           |                                 |  |                                    |  | TITLE:<br><b>114.3mm Galv Flip Lid</b> |  |            |  |              |  |
|   |      |           |                                 |  |                                    |  | DWG NO.<br>114.3mm Galv Soicket Asy    |  |            |  | A3           |  |
|   |      |           |                                 |  |                                    |  | WEIGHT: 8425.65                        |  | SCALE: 1:1 |  | SHEET 2 OF 6 |  |
| DRAWN   | NAME | SIGNATURE | DATE                            |  |                                    |  |  |  |            |  |              |  |
| CHK'D   |      |           |                                 |  |                                    |  |  |  |            |  |              |  |
| APPV'D  |      |           |                                 |  |                                    |  |  |  |            |  |              |  |
| MFG   |      |           |                                 |  |                                    |  |  |  |            |  |              |  |
| Q.A   |      |           |                                 |  |                                    |  |  |  |            |  |              |  |
|   |      |           |                                 |  |                                    |  | MATERIAL:<br>Galvanized Steel          |  |            |  |              |  |

8 7 6 5 4 3 2 1

A

A

8 7 6 5 4 3 2 1

F

F

E

E

D

D

C

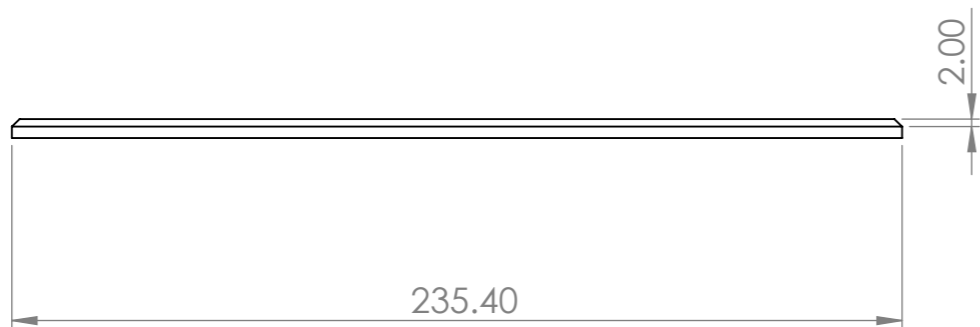
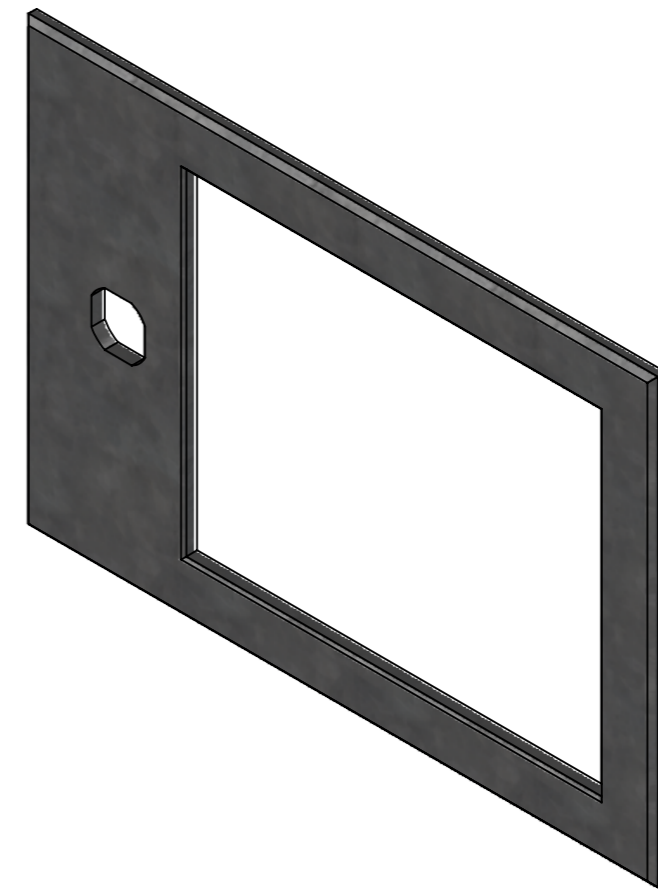
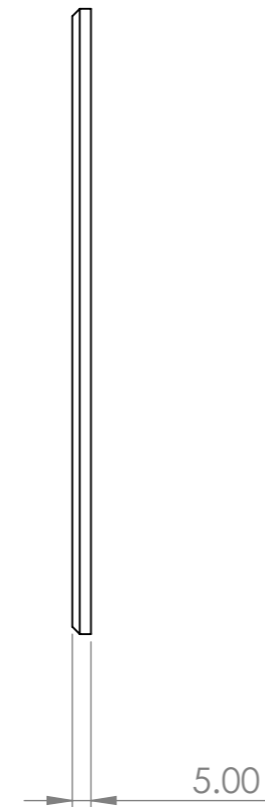
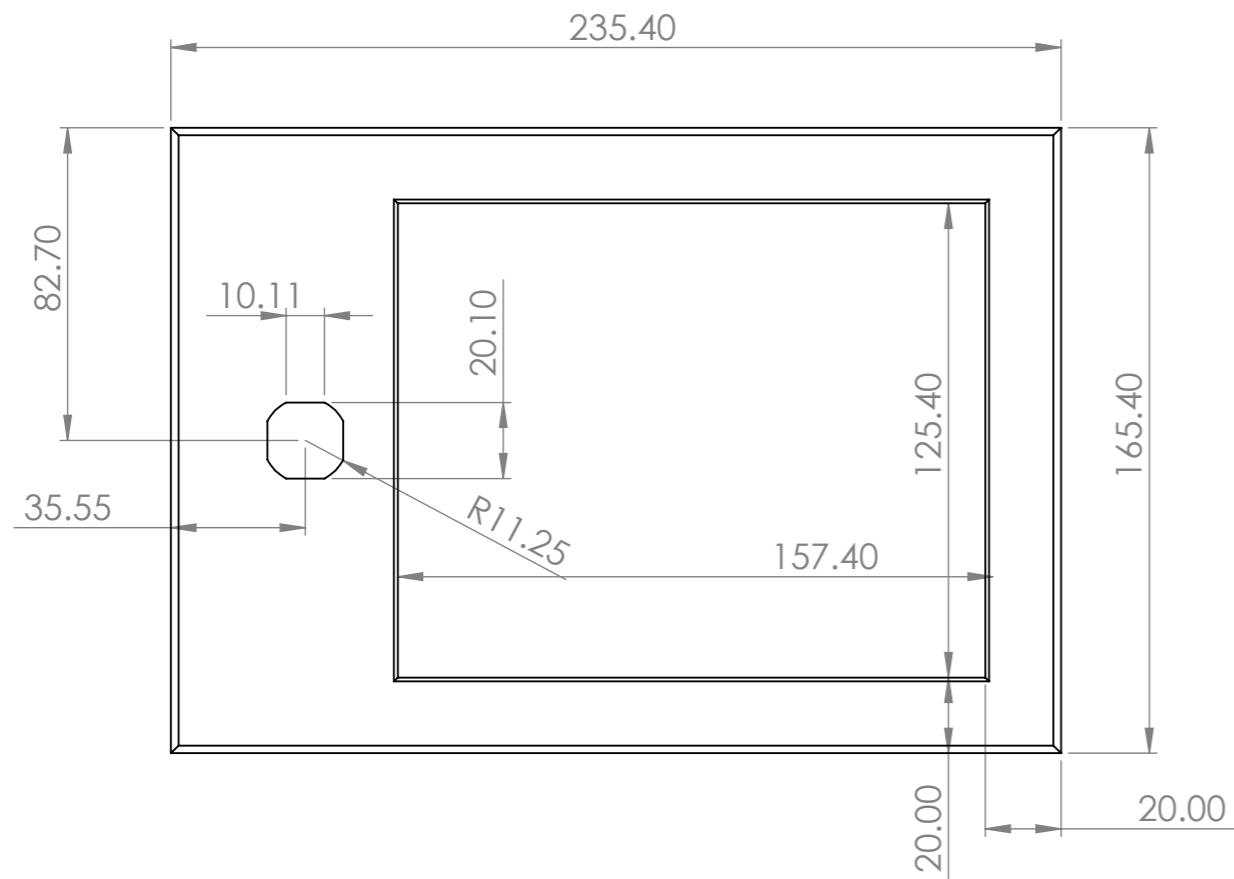
C

B

B

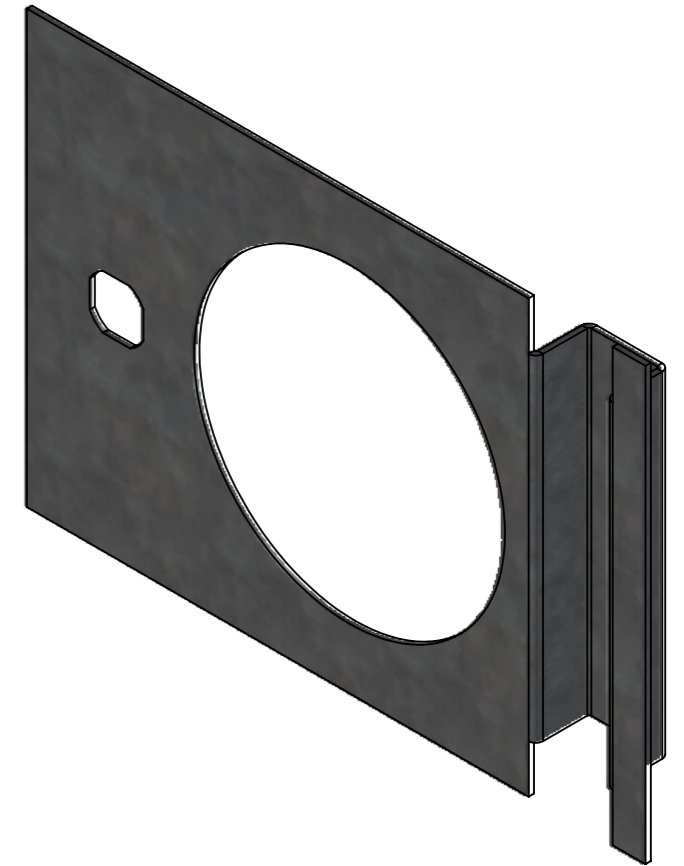
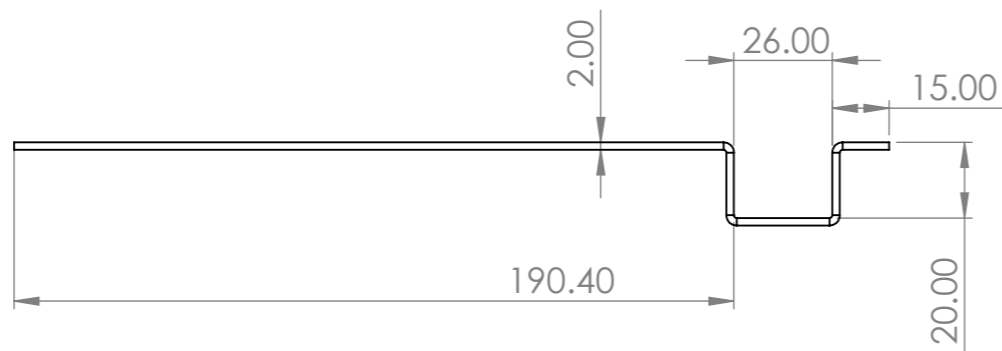
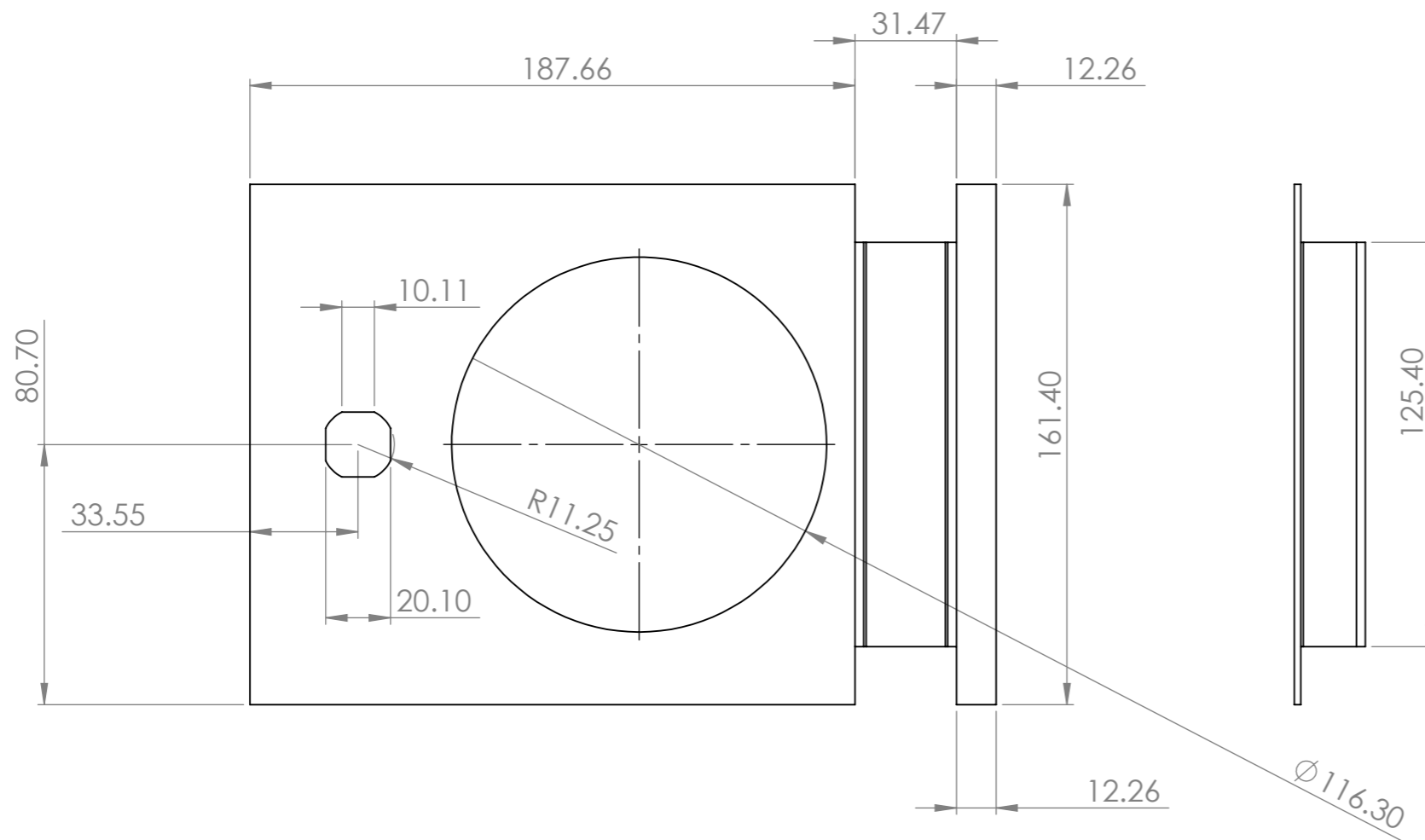
A

A



|   |  |  |  |                           |  |                                    |  |                                       |  |                                     |  |
|---|--|--|--|---------------------------|--|------------------------------------|--|---------------------------------------|--|-------------------------------------|--|
| UNLESS OTHERWISE SPECIFIED:<br>DIMENSIONS ARE IN MILLIMETERS<br>SURFACE FINISH:<br>TOLERANCES:<br>LINEAR:<br>ANGULAR: |  |  |  | FINISH:<br><br>Galvanized |  | DEBURR AND<br>BREAK SHARP<br>EDGES |  | DO NOT SCALE DRAWING                  |  | REVISION                            |  |
|   |  |  |  |                           |  |                                    |  |                                       |  |                                     |  |
|   |  |  |  |                           |  |                                    |  | TITLE:<br><b>114.3mm Ground Plate</b> |  |                                     |  |
| DRAWN   |  |  |  | NAME                      |  | SIGNATURE                          |  | DATE                                  |  | DWG NO.<br>114.3mm Galv Soicket Asy |  |
| CHK'D   |  |  |  |                           |  |                                    |  |                                       |  | A3                                  |  |
| APPV'D  |  |  |  |                           |  |                                    |  |                                       |  | SCALE 1:2                           |  |
| MFG   |  |  |  |                           |  |                                    |  |                                       |  | SHEET 3 OF 6                        |  |
| Q.A   |  |  |  |                           |  |                                    |  | MATERIAL:<br>Galvanized Steel         |  | WEIGHT: 8425.65                     |  |

8 7 6 5 4 3 2 1



|   |  |      |                              |           |                                    |      |   |  |            |  |              |  |
|---|--|------|------------------------------|-----------|------------------------------------|------|---|--|------------|--|--------------|--|
| UNLESS OTHERWISE SPECIFIED:<br>DIMENSIONS ARE IN MILLIMETERS<br>SURFACE FINISH:<br>TOLERANCES:<br>LINEAR:<br>ANGULAR: |  |      | FINISH:<br><b>Galvanized</b> |           | DEBURR AND<br>BREAK SHARP<br>EDGES |      | DO NOT SCALE DRAWING                          |  | REVISION   |  |              |  |
|   |  |      |                              |           |                                    |      |   |  |            |  |              |  |
|   |  |      |                              |           |                                    |      | TITLE:<br><b>114.3mm Galv<br/>Guide Plate</b> |  |            |  |              |  |
|   |  |      |                              |           |                                    |      | DWG NO.<br>114.3mm Galv Soicket Asy           |  |            |  | A3           |  |
|   |  |      |                              |           |                                    |      | MATERIAL:<br>Galvanized Steel                 |  | SCALE: 1:2 |  | SHEET 4 OF 6 |  |
|   |  |      |                              |           |                                    |      | WEIGHT: 8425.65                               |  |            |  |              |  |
| DRAWN   |  | NAME |                              | SIGNATURE |                                    | DATE |   |  |            |  |              |  |
| CHK'D   |  |      |                              |           |                                    |      |   |  |            |  |              |  |
| APPV'D  |  |      |                              |           |                                    |      |   |  |            |  |              |  |
| MFG   |  |      |                              |           |                                    |      |   |  |            |  |              |  |
| Q.A   |  |      |                              |           |                                    |      |   |  |            |  |              |  |

8 7 6 5 4 3 2 1

F

F

E

E

D

D

C

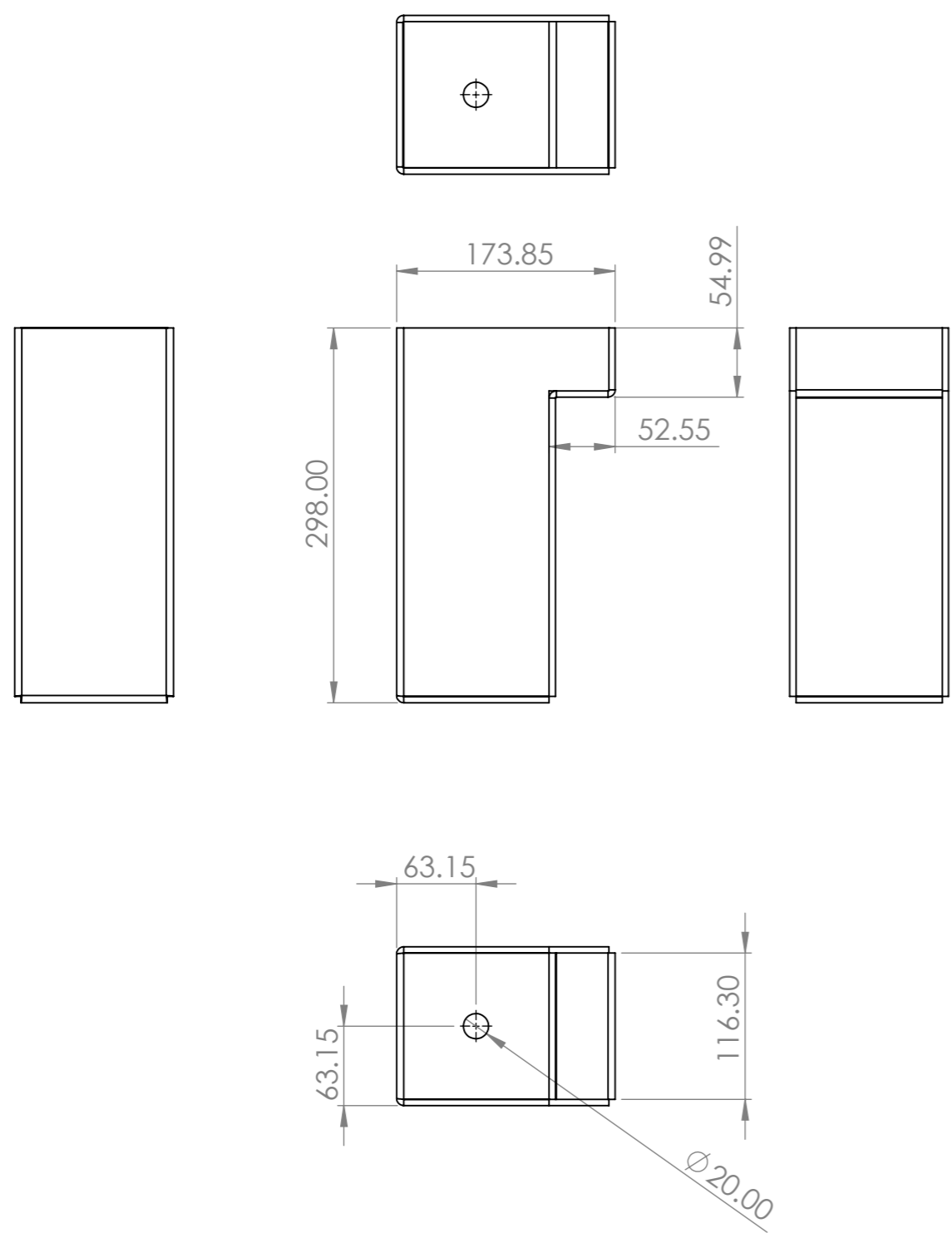
C

B

B

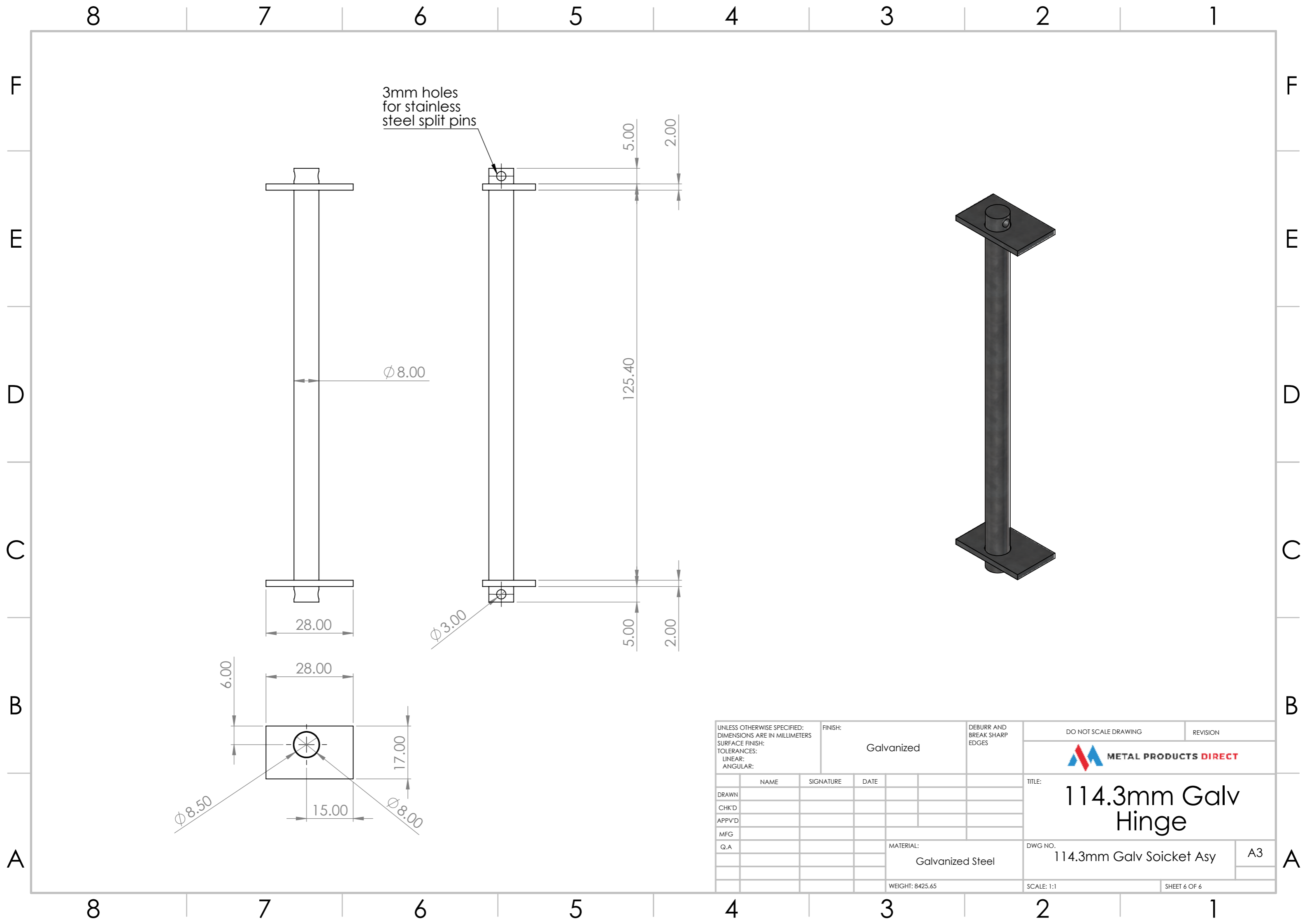
A

A



|   |  |  |                           |  |                                    |  |                               |  |  |  |  |
|---|--|--|---------------------------|--|------------------------------------|--|-------------------------------|--|--|--|--|
| UNLESS OTHERWISE SPECIFIED:<br>DIMENSIONS ARE IN MILLIMETERS<br>SURFACE FINISH:<br>TOLERANCES:<br>LINEAR:<br>ANGULAR: |  |  | FINISH:<br><br>Galvanized |  | DEBURR AND<br>BREAK SHARP<br>EDGES |  | DO NOT SCALE DRAWING          |  | REVISION                                   |  |  |
| DRAWN   |  |  | NAME                      |  | SIGNATURE                          |  | DATE                          |  | TITLE:<br><b>114.3 Galv Bollard Socket</b> |  |  |
| CHK'D   |  |  |                           |  |                                    |  |                               |  | DWG NO.<br>114.3mm Galv Soicket Asy        |  |  |
| APPV'D  |  |  |                           |  |                                    |  |                               |  | A3   |  |  |
| MFG   |  |  |                           |  |                                    |  |                               |  | SCALE:1:5                                  |  |  |
| Q.A   |  |  |                           |  |                                    |  | MATERIAL:<br>Galvanized Steel |  | SHEET 5 OF 6                               |  |  |
|   |  |  |                           |  |                                    |  | WEIGHT: 8425.65               |  |  |  |  |

8 7 6 5 4 3 2 1



3mm holes  
for stainless  
steel split pins

Ø 8.00

Ø 3.00

Ø 8.50

Ø 8.00

|   |  |  |  |                           |  |                                    |  |                               |  |                                     |  |
|---|--|--|--|---------------------------|--|------------------------------------|--|-------------------------------|--|-------------------------------------|--|
| UNLESS OTHERWISE SPECIFIED:<br>DIMENSIONS ARE IN MILLIMETERS<br>SURFACE FINISH:<br>TOLERANCES:<br>LINEAR:<br>ANGULAR: |  |  |  | FINISH:<br><br>Galvanized |  | DEBURR AND<br>BREAK SHARP<br>EDGES |  | DO NOT SCALE DRAWING          |  | REVISION                            |  |
| DRAWN   |  |  |  | NAME                      |  | SIGNATURE                          |  | DATE                          |  | TITLE:<br><br>114.3mm Galv<br>Hinge |  |
| CHK'D   |  |  |  |                           |  |                                    |  |                               |  | DWG NO.<br>114.3mm Galv Soicket Asy |  |
| APPV'D  |  |  |  |                           |  |                                    |  |                               |  | A3                                  |  |
| MFG   |  |  |  |                           |  |                                    |  |                               |  | SCALE: 1:1                          |  |
| Q.A   |  |  |  |                           |  |                                    |  | MATERIAL:<br>Galvanized Steel |  | SHEET 6 OF 6                        |  |
|   |  |  |  |                           |  |                                    |  | WEIGHT: 8425.65               |  |                                     |  |