

DETAIL A
SCALE 2:1

UNLESS OTHERWISE SPECIFIED: DIMENSIONS ARE IN MILLIMETERS		FINISH: See Drawings		DEBURR AND BREAK SHARP EDGES		DO NOT SCALE DRAWING		REVISION	
SURFACE FINISH: TOLERANCES: LINEAR: ANGULAR:								150 x 150 Stainless Socket Asy	
DRAWN	NAME	SIGNATURE	DATE			TITLE:		A3	
CHK'D						DWG NO.		150 x 150 Stainless Steel Socket Asy	
APPV'D						MATERIAL:		304L Stainless Steel	
MFG						WEIGHT:		11676.16	
Q.A						SCALE:		1:5	
						SHEET 1 OF 6			

8 7 6 5 4 3 2 1

F

F

E

E

D

D

C

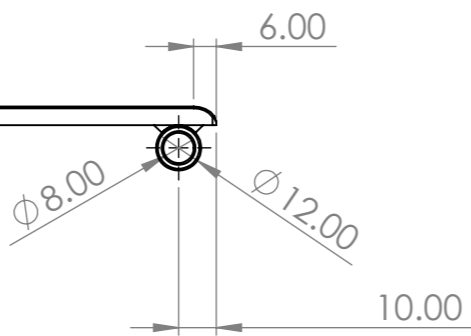
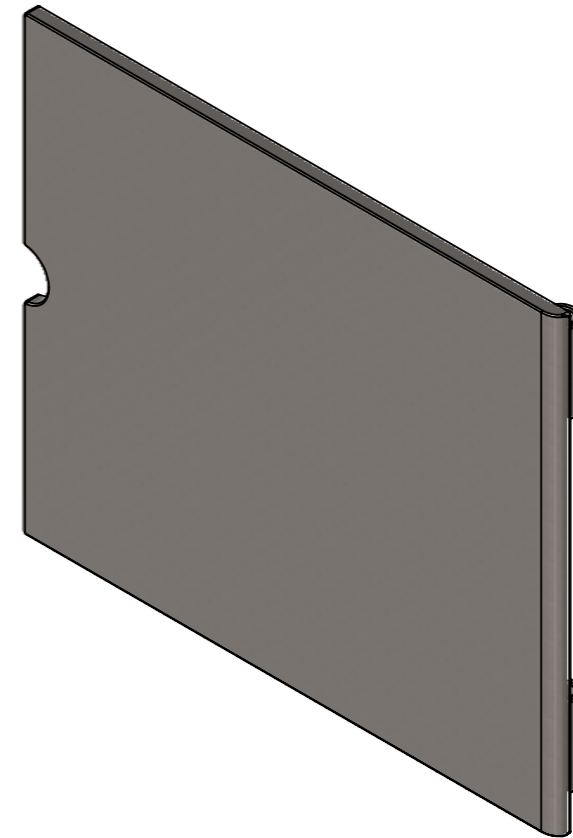
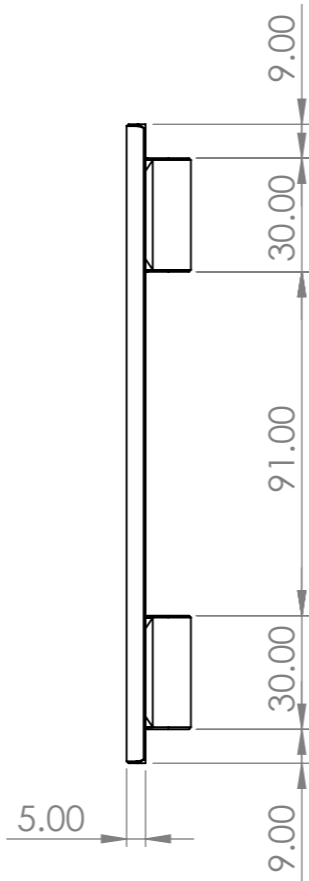
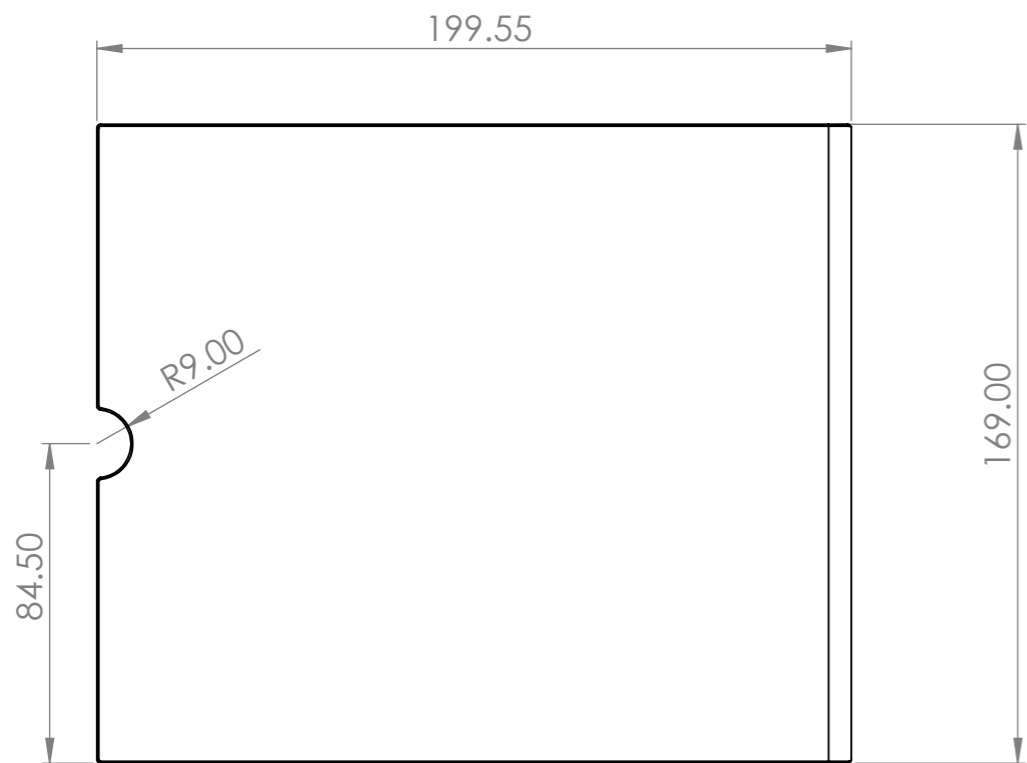
C


B

B

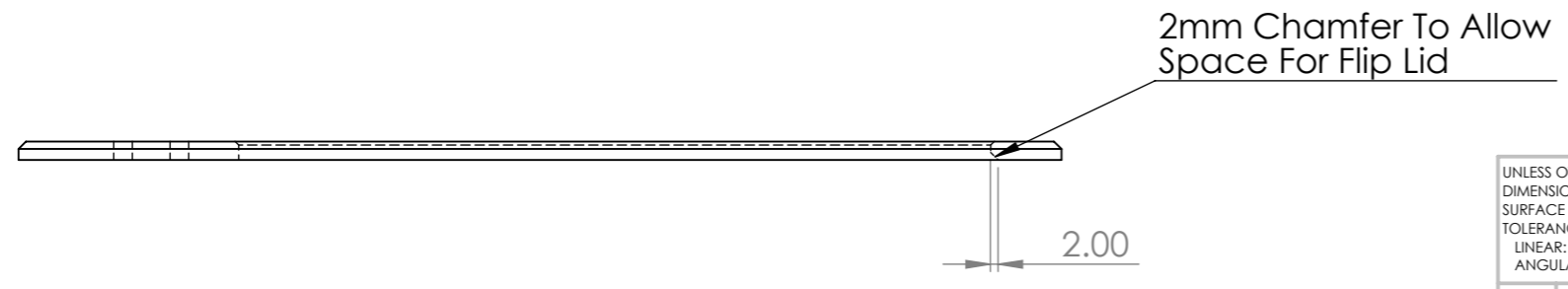
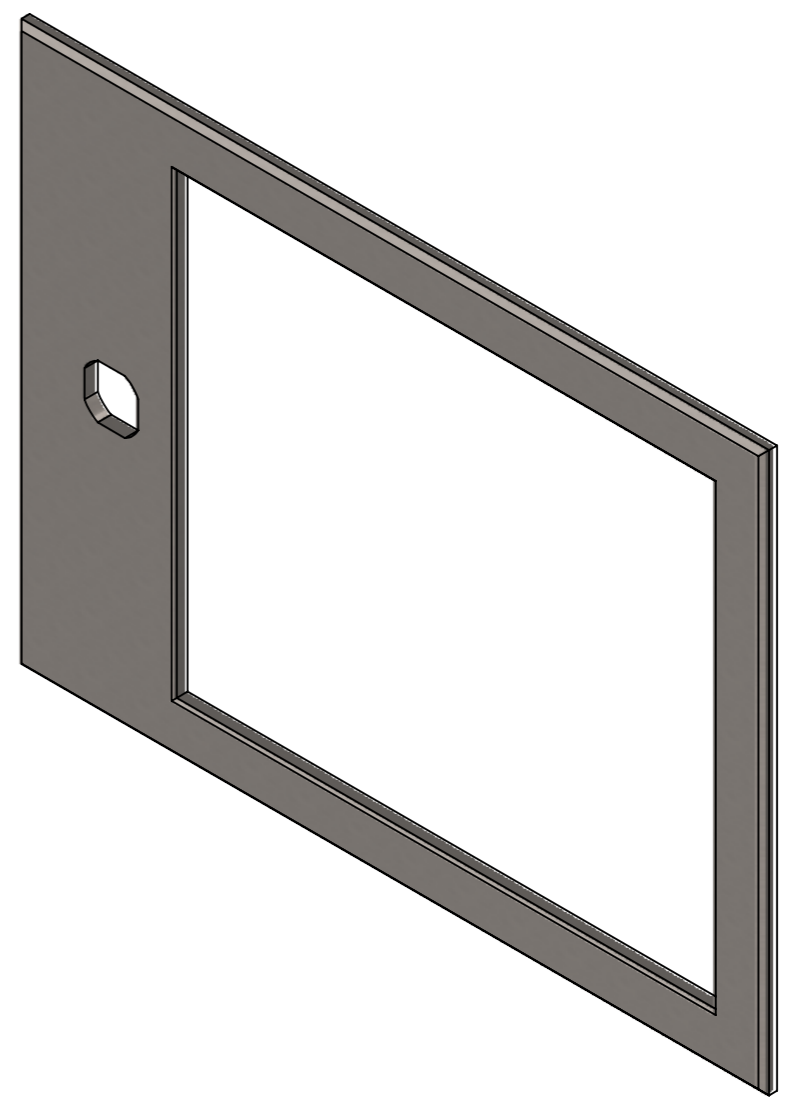
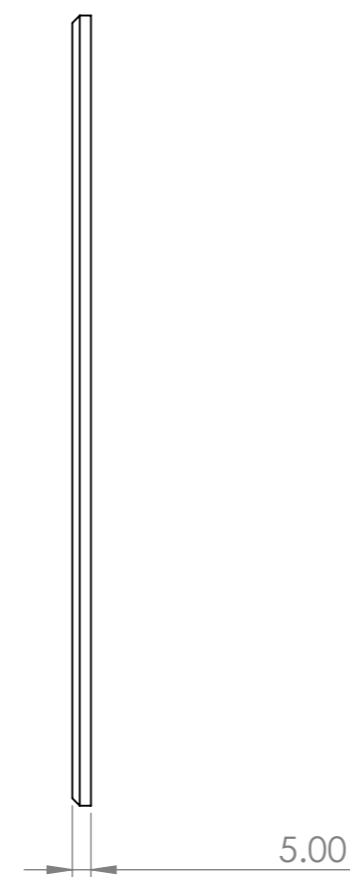
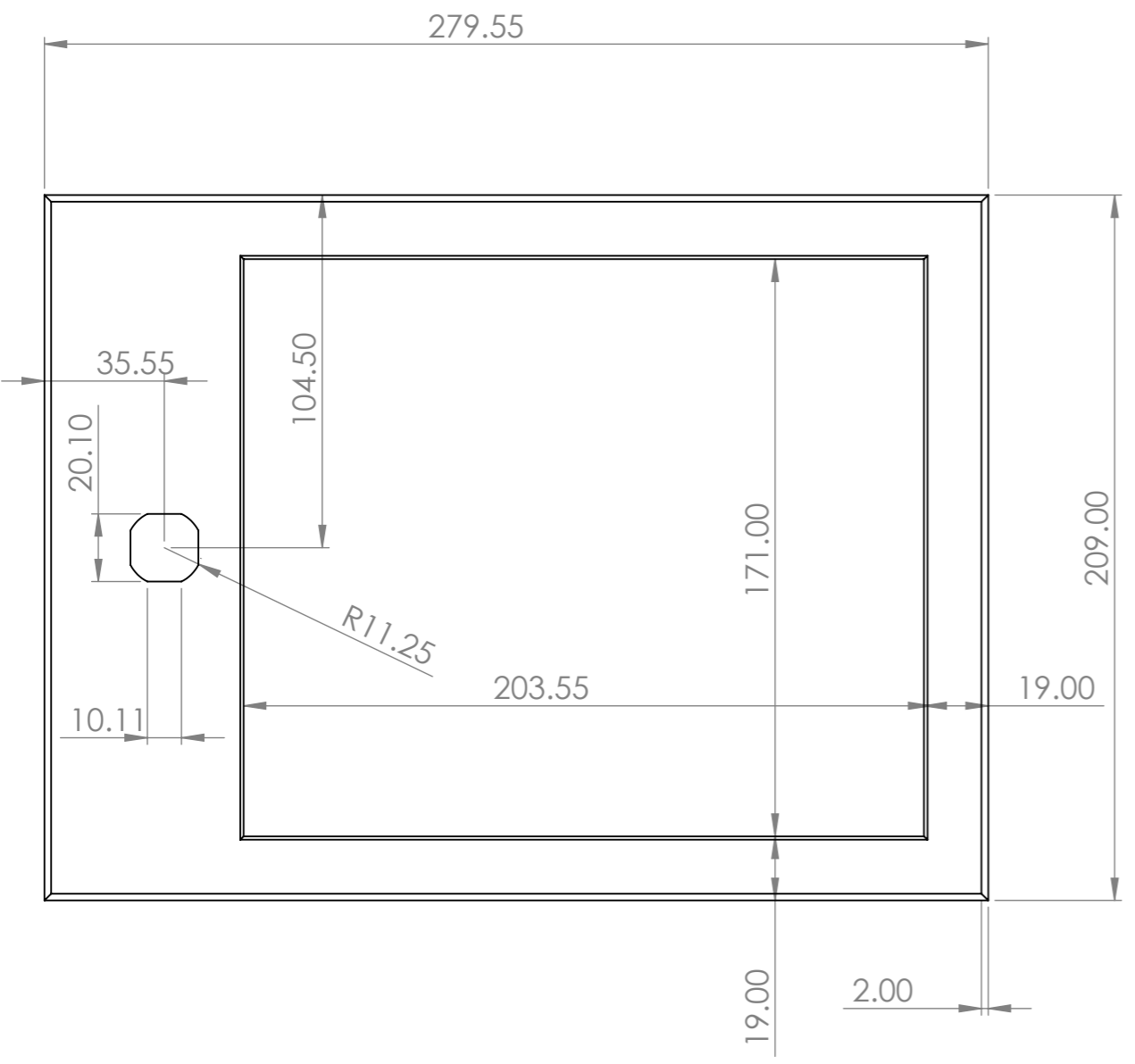
A


A



UNLESS OTHERWISE SPECIFIED: DIMENSIONS ARE IN MILLIMETERS			FINISH: Brushed Steel		DEBURR AND BREAK SHARP EDGES		DO NOT SCALE DRAWING		REVISION	
SURFACE FINISH:									TITLE: 150 x 150 Flip Lid	
TOLERANCES:										
LINEAR:							DWG NO.		A3	
ANGULAR:							150 x 150 Stainless Steel Socket Asy			
DRAWN			NAME		SIGNATURE		DATE		MATERIAL: 304L Stainless Steel	
CHK'D									WEIGHT: 11676.16	
APPV'D									SCALE: 1:2	
MFG									SHEET 2 OF 6	
Q.A										

8 7 6 5 4 3 2 1

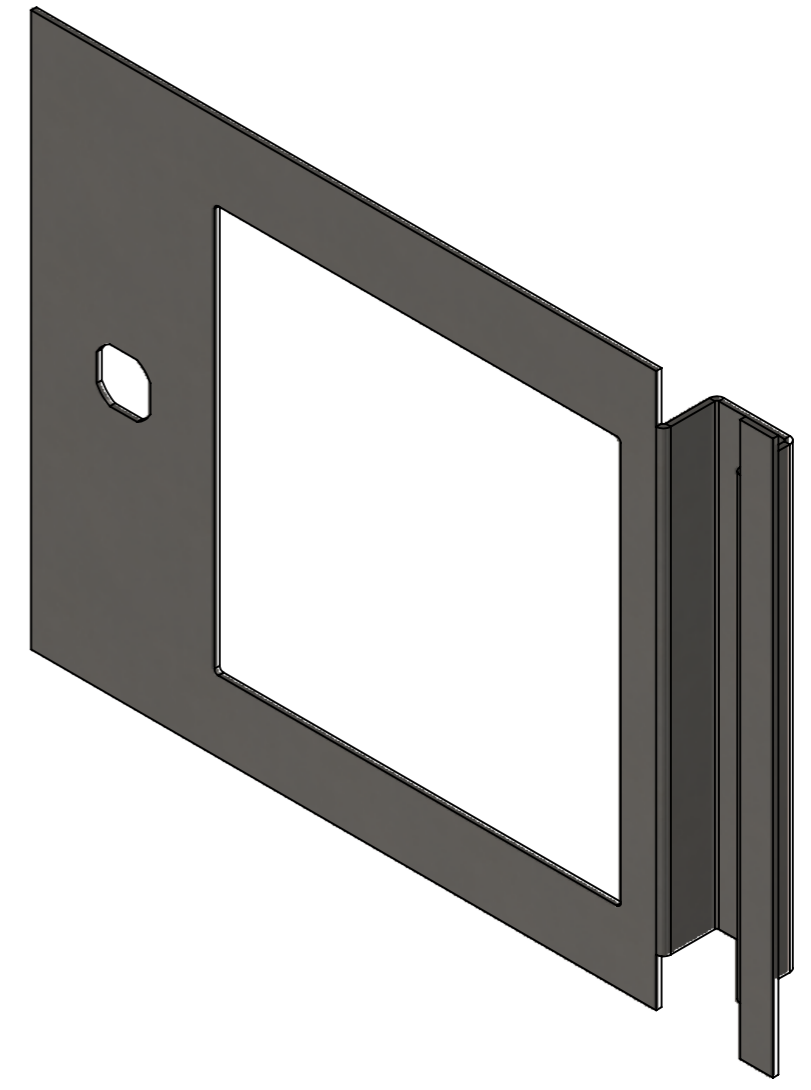
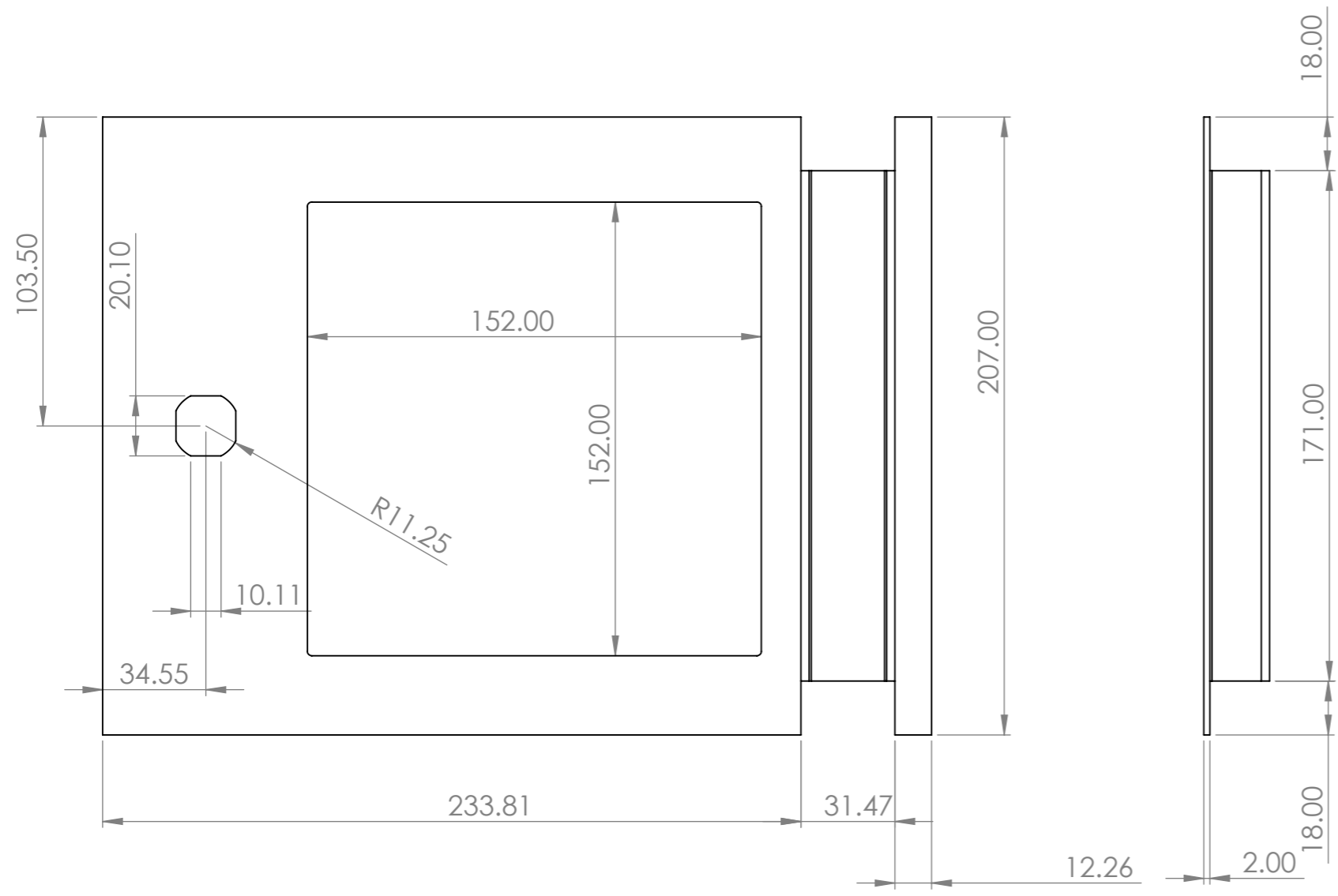


UNLESS OTHERWISE SPECIFIED: DIMENSIONS ARE IN MILLIMETERS SURFACE FINISH: TOLERANCES: LINEAR: ANGULAR:				FINISH: Brushed Steel		DEBURR AND BREAK SHARP EDGES		DO NOT SCALE DRAWING		REVISION					
															
								TITLE: 150 x 150 Ground Plate							
DRAWN				NAME		SIGNATURE		DATE		MATERIAL: 304L Stainless Steel		DWG NO. 150 x 150 Stainless Steel Socket Asy		A3	
CHK'D										WEIGHT: 11676.16		SCALE:1:5		SHEET 3 OF 6	
APPV'D															
MFG															
Q.A															

8 7 6 5 4 3 2 1

F

F



D

D

C


C

B

B

A

A

UNLESS OTHERWISE SPECIFIED: DIMENSIONS ARE IN MILLIMETERS				FINISH: 2B Mill Finish		DEBURR AND BREAK SHARP EDGES		DO NOT SCALE DRAWING		REVISION	
SURFACE FINISH:											
TOLERANCES:											
LINEAR:								TITLE: <h1>150 x 150 Guide Plate</h1>			
ANGULAR:											
DRAWN		NAME		SIGNATURE		DATE		DWG NO.		A3	
CHK'D								150 x 150 Stainless Steel Socket Asy			
APPV'D								SCALE: 1:2		SHEET 4 OF 6	
MFG								MATERIAL:			
Q.A								304L Stainless Steel			
								WEIGHT: 11676.16			

8 7 6 5 4 3 2 1

8 7 6 5 4 3 2 1

F

F

E

E

D

D

C

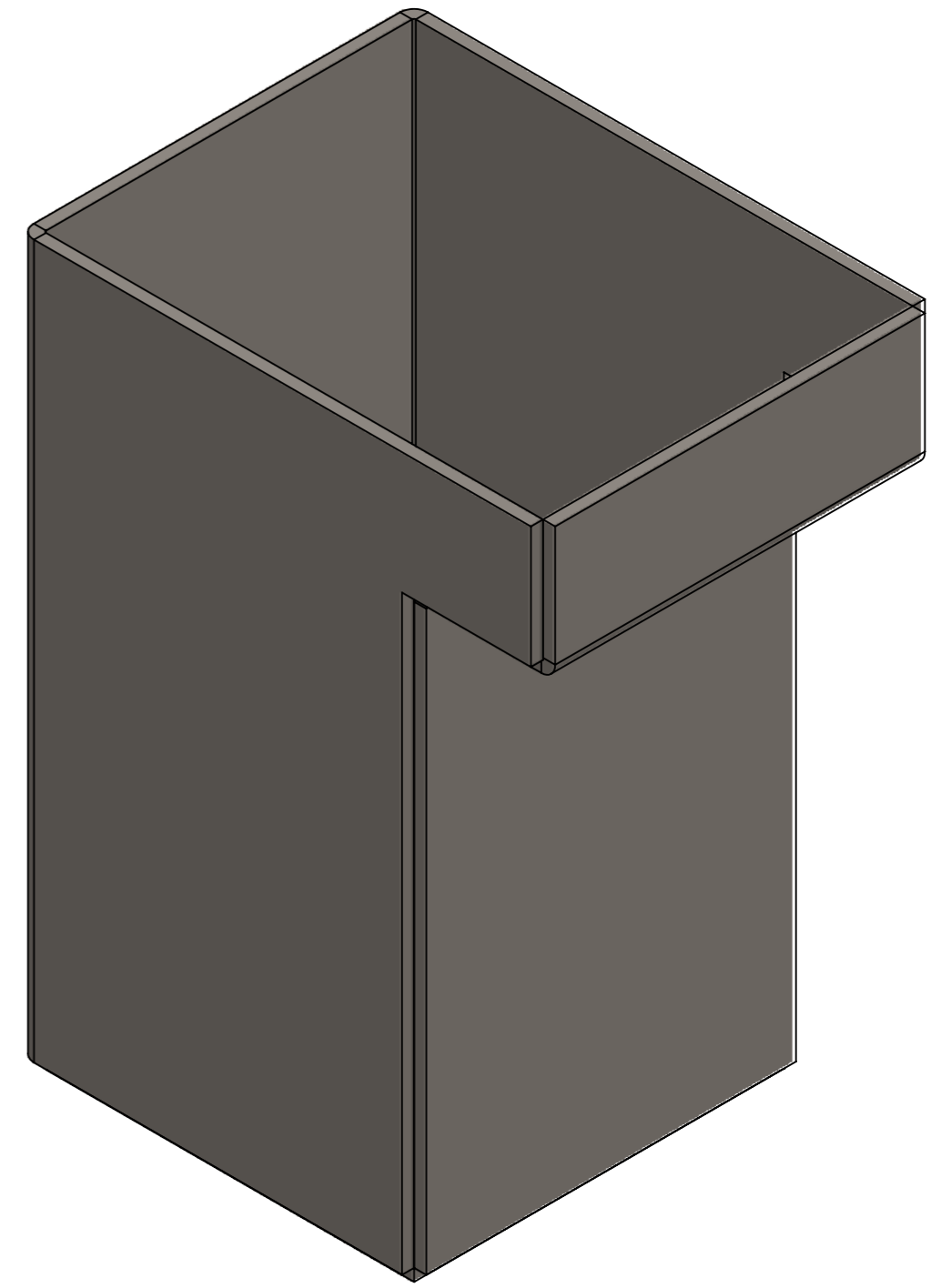
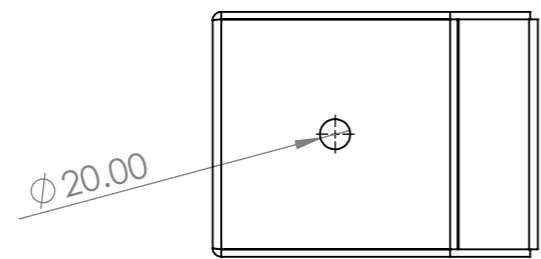
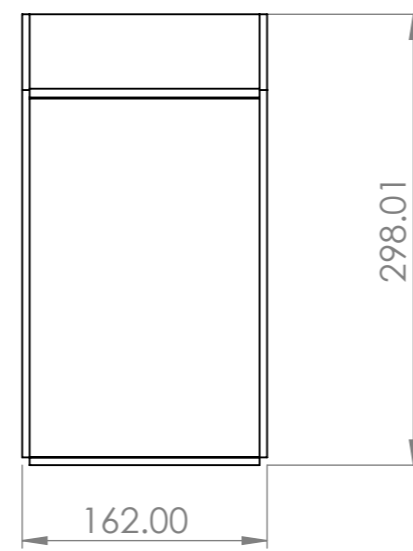
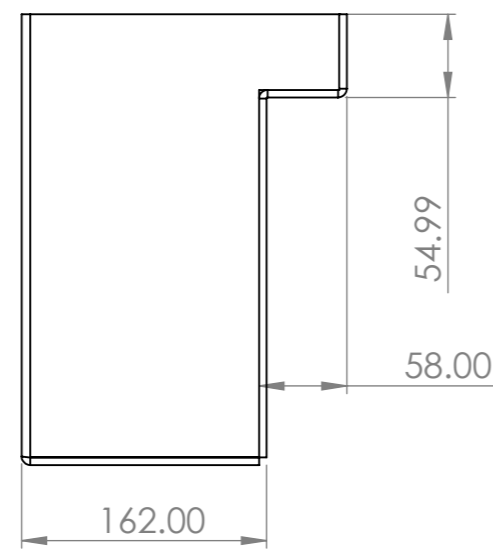
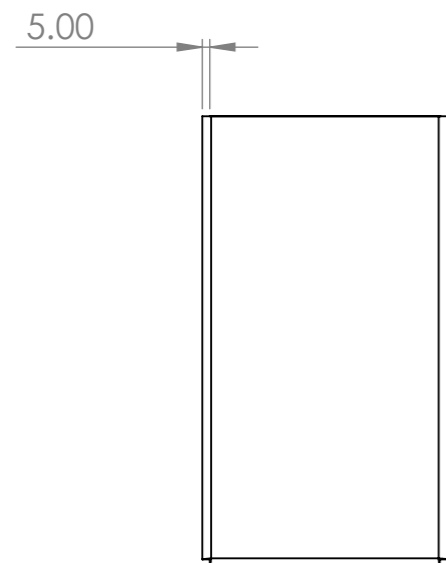
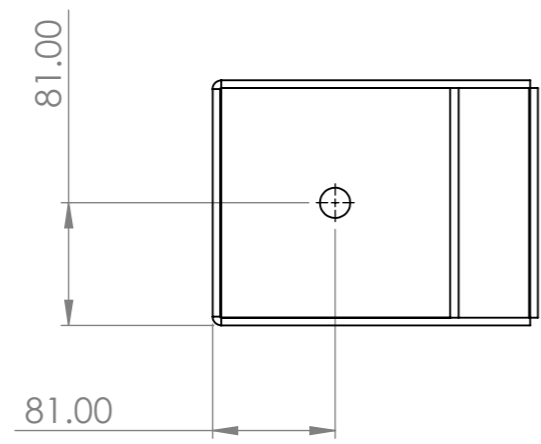
C

B

B

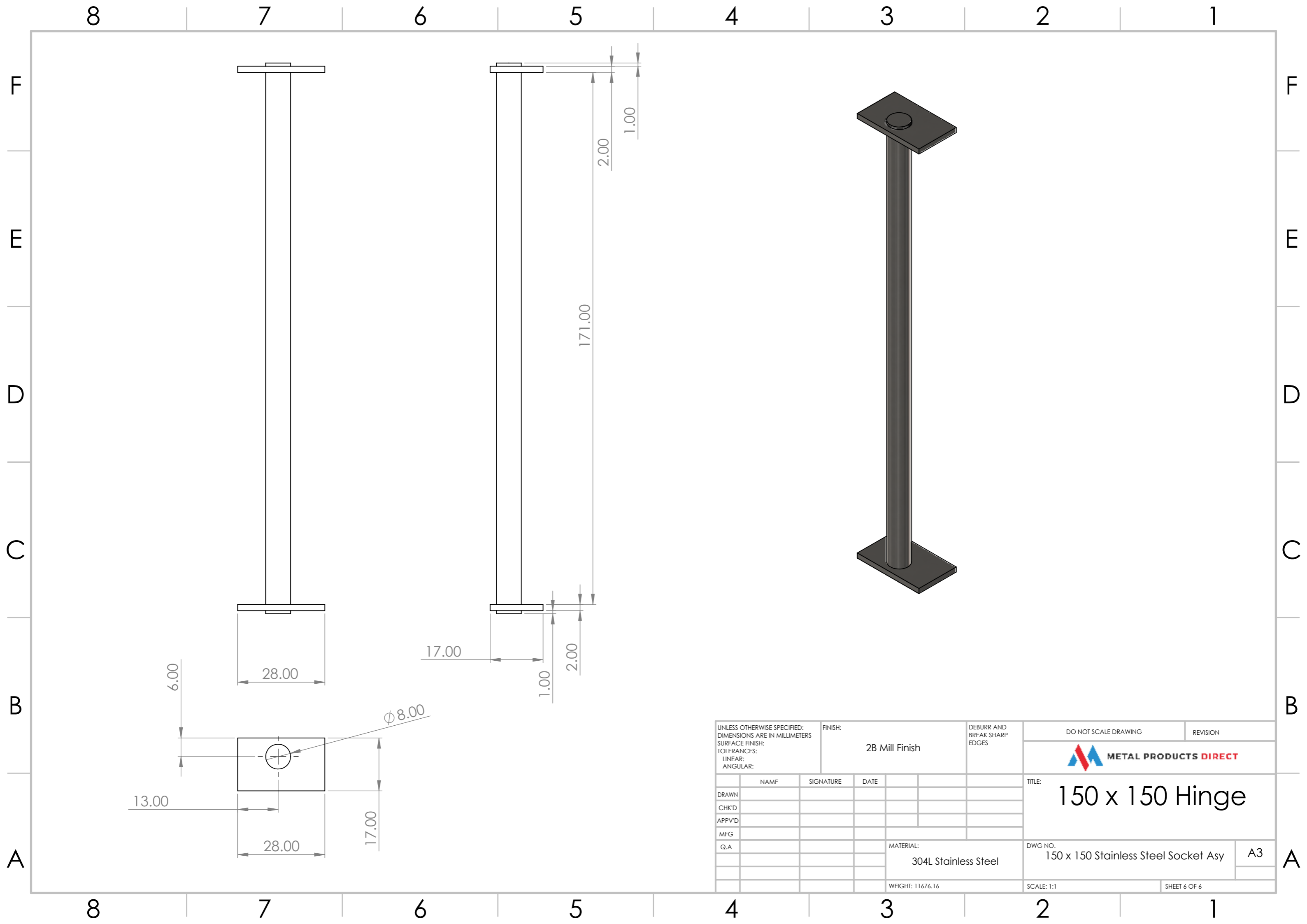
A

A



UNLESS OTHERWISE SPECIFIED: DIMENSIONS ARE IN MILLIMETERS SURFACE FINISH: TOLERANCES: LINEAR: ANGULAR:			FINISH: 2B Mill Finish		DEBURR AND BREAK SHARP EDGES		DO NOT SCALE DRAWING		REVISION		
							TITLE: 150 x 150 Socket				
DRAWN			NAME		SIGNATURE		DATE		MATERIAL: 304L Stainless Steel		
CHK'D									DWG NO. 150 x 150 Stainless Steel Socket Asy		A3
APPV'D									SCALE:1:5		SHEET 5 OF 6
MFG									WEIGHT: 11676.16		
Q.A											

8 7 6 5 4 3 2 1



UNLESS OTHERWISE SPECIFIED: DIMENSIONS ARE IN MILLIMETERS SURFACE FINISH: TOLERANCES: LINEAR: ANGULAR:				FINISH: 2B Mill Finish		DEBURR AND BREAK SHARP EDGES		DO NOT SCALE DRAWING		REVISION	
											
								TITLE: 150 x 150 Hinge			
DRAWN								DWG NO.: 150 x 150 Stainless Steel Socket Asy			
CHK'D											
APPV'D											
MFG											
Q.A											
				MATERIAL: 304L Stainless Steel				SCALE: 1:1			
				WEIGHT: 11676.16				SHEET 6 OF 6			
								A3			