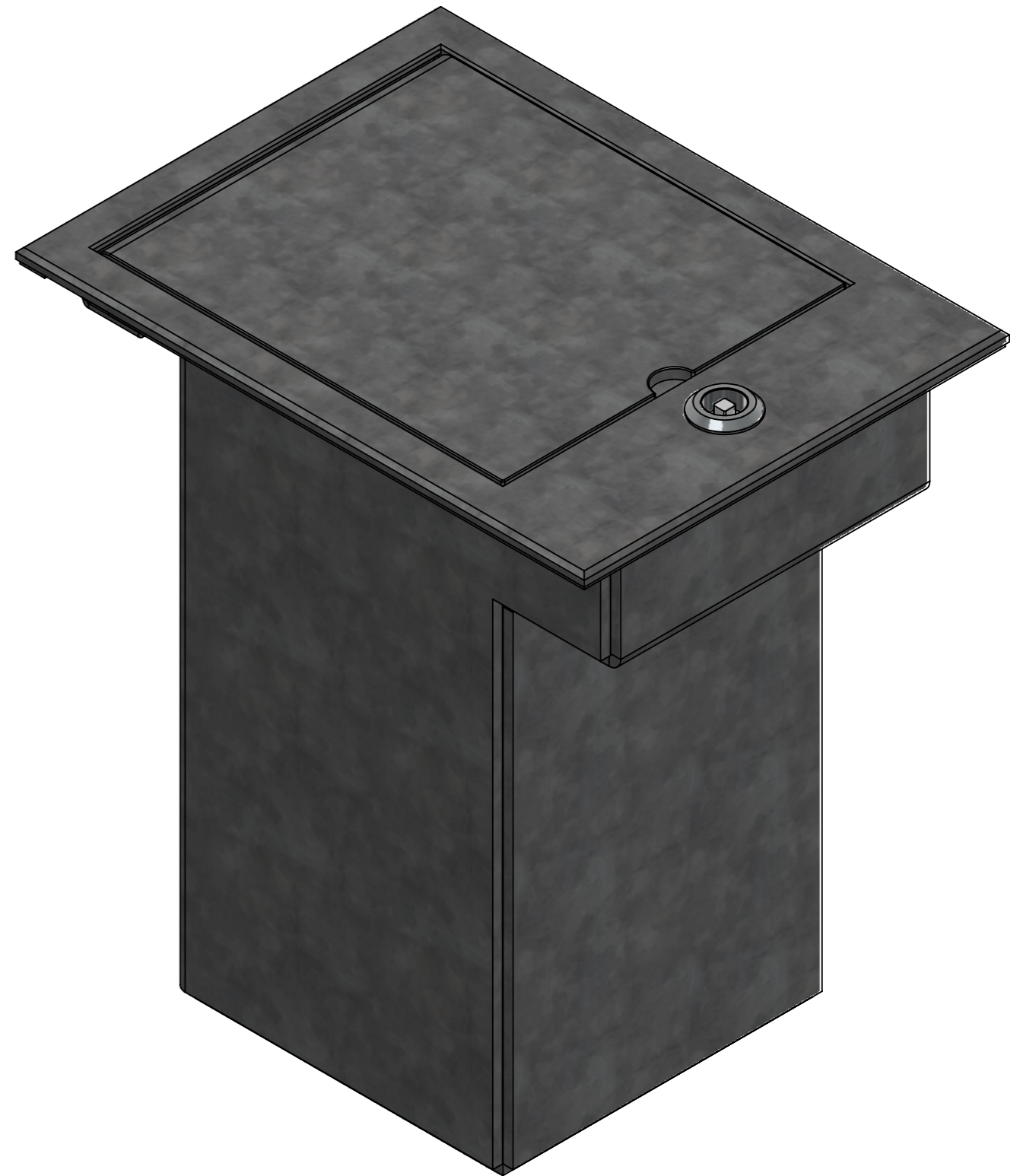
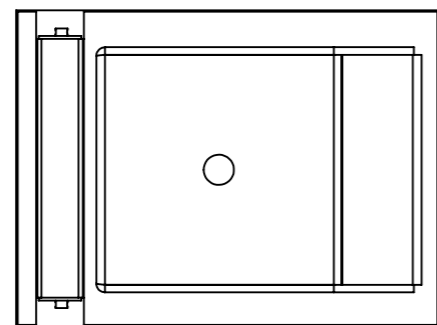
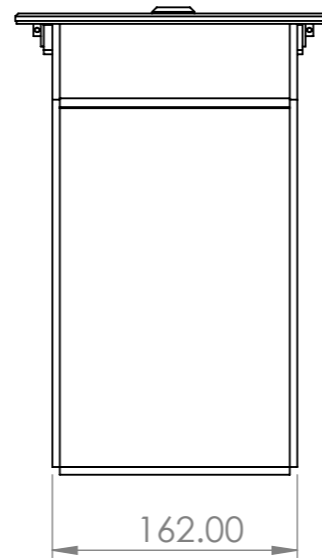
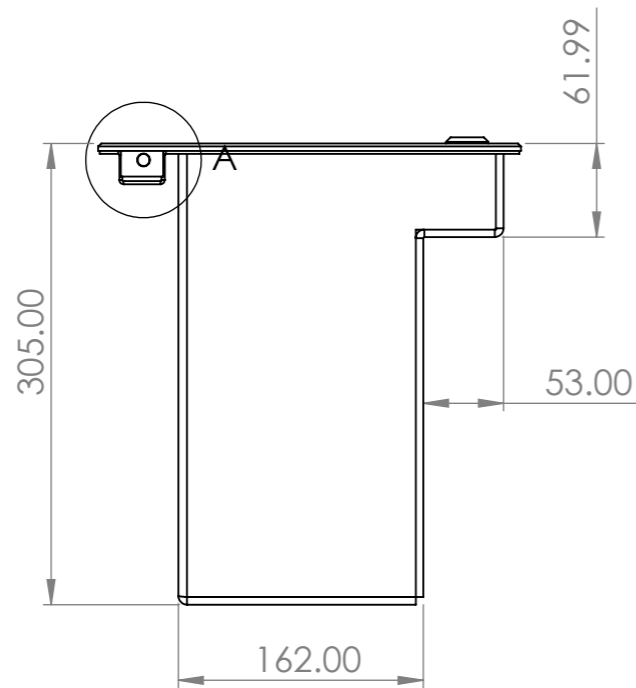
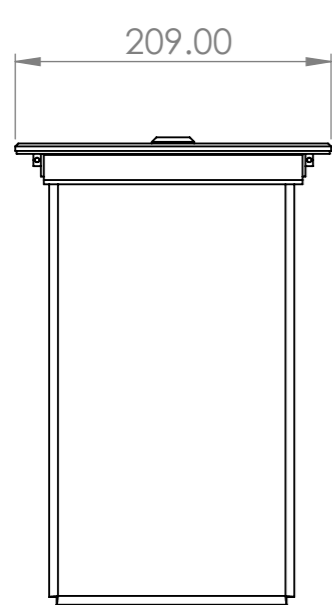
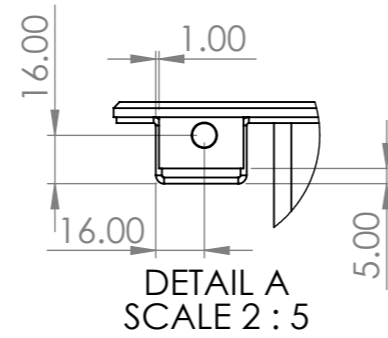
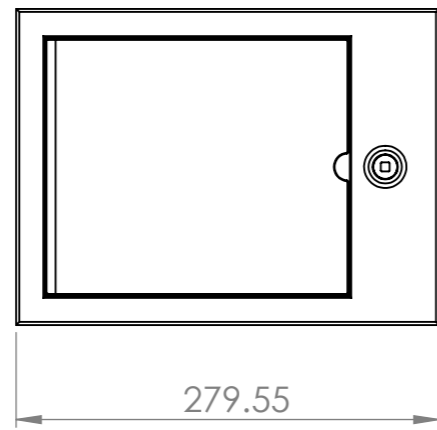


8 7 6 5 4 3 2 1

F

F



D

D

C

C


B

B

A

A

8 7 6 5 4 3 2 1

UNLESS OTHERWISE SPECIFIED: DIMENSIONS ARE IN MILLIMETERS SURFACE FINISH: TOLERANCES: LINEAR: ANGULAR:			FINISH: Galvanized		DEBURR AND BREAK SHARP EDGES		DO NOT SCALE DRAWING		REVISION		
											
							TITLE: 150 x 150 Galve Socket				
DRAWN			NAME		SIGNATURE		DATE		DWG NO. 150 x150 Flip Lid Hidden Lock Galv Socket Asy		
CHK'D									A3		
APPV'D									SCALE:1:5		
MFG									SHEET 1 OF 6		
Q.A							MATERIAL: Mild Steel		WEIGHT: 11488.70		

8 7 6 5 4 3 2 1

F

F

E

E

D

D

C

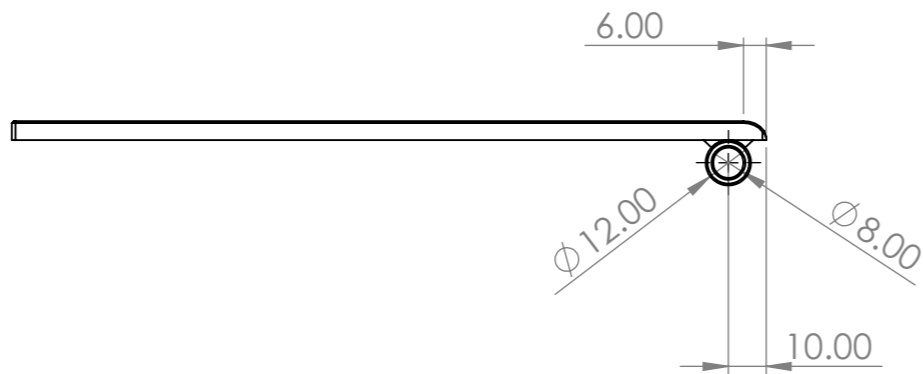
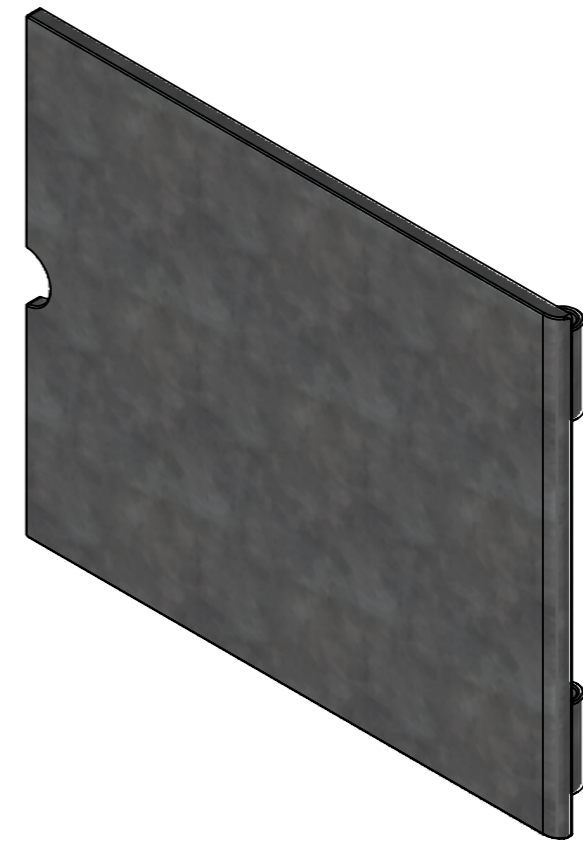
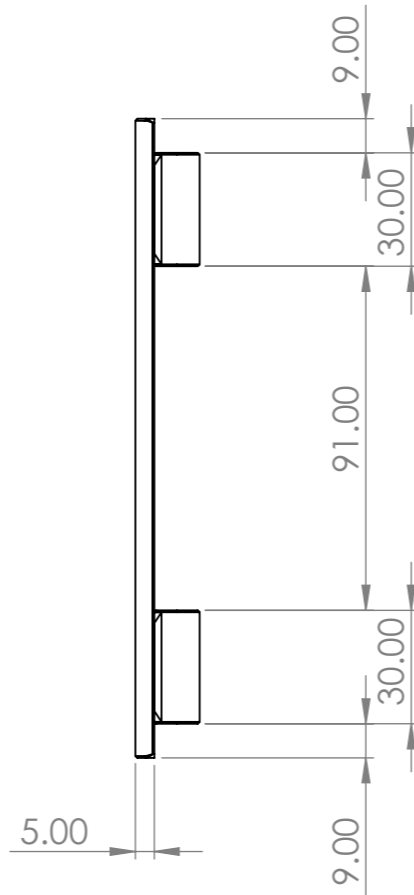
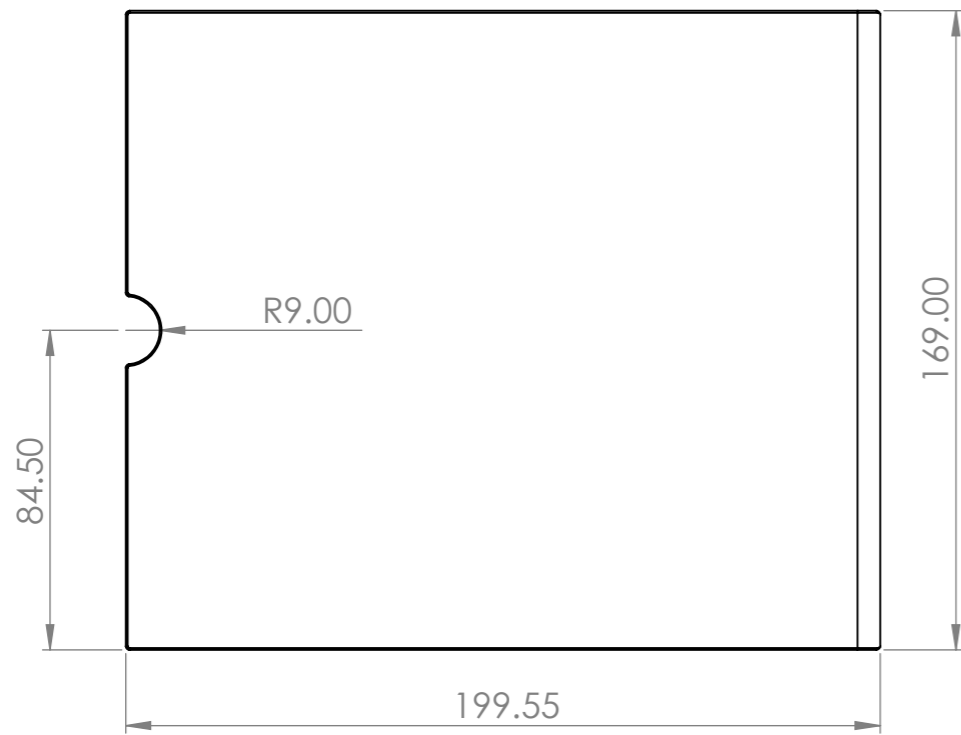
C


B

B

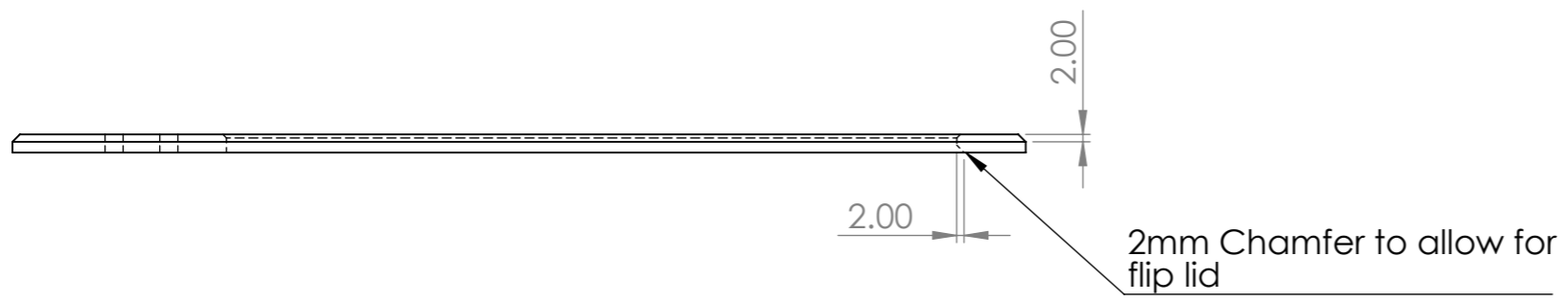
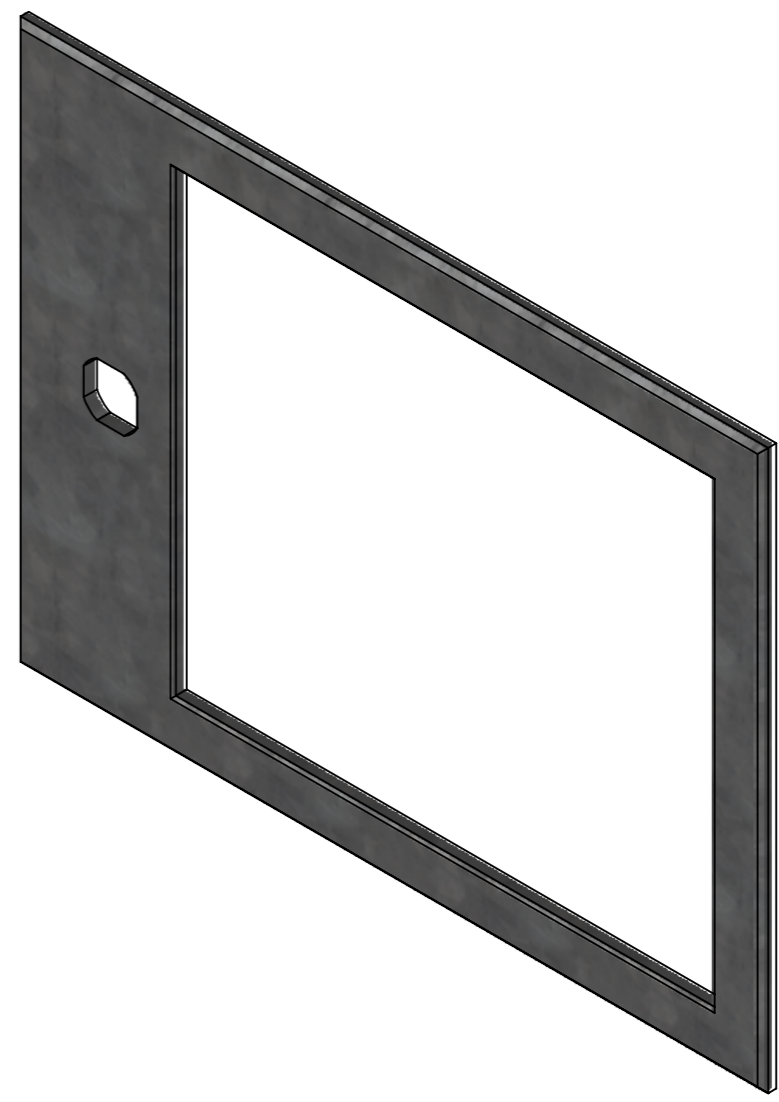
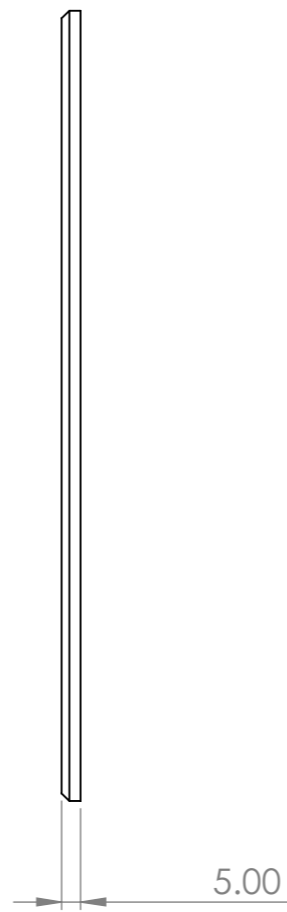
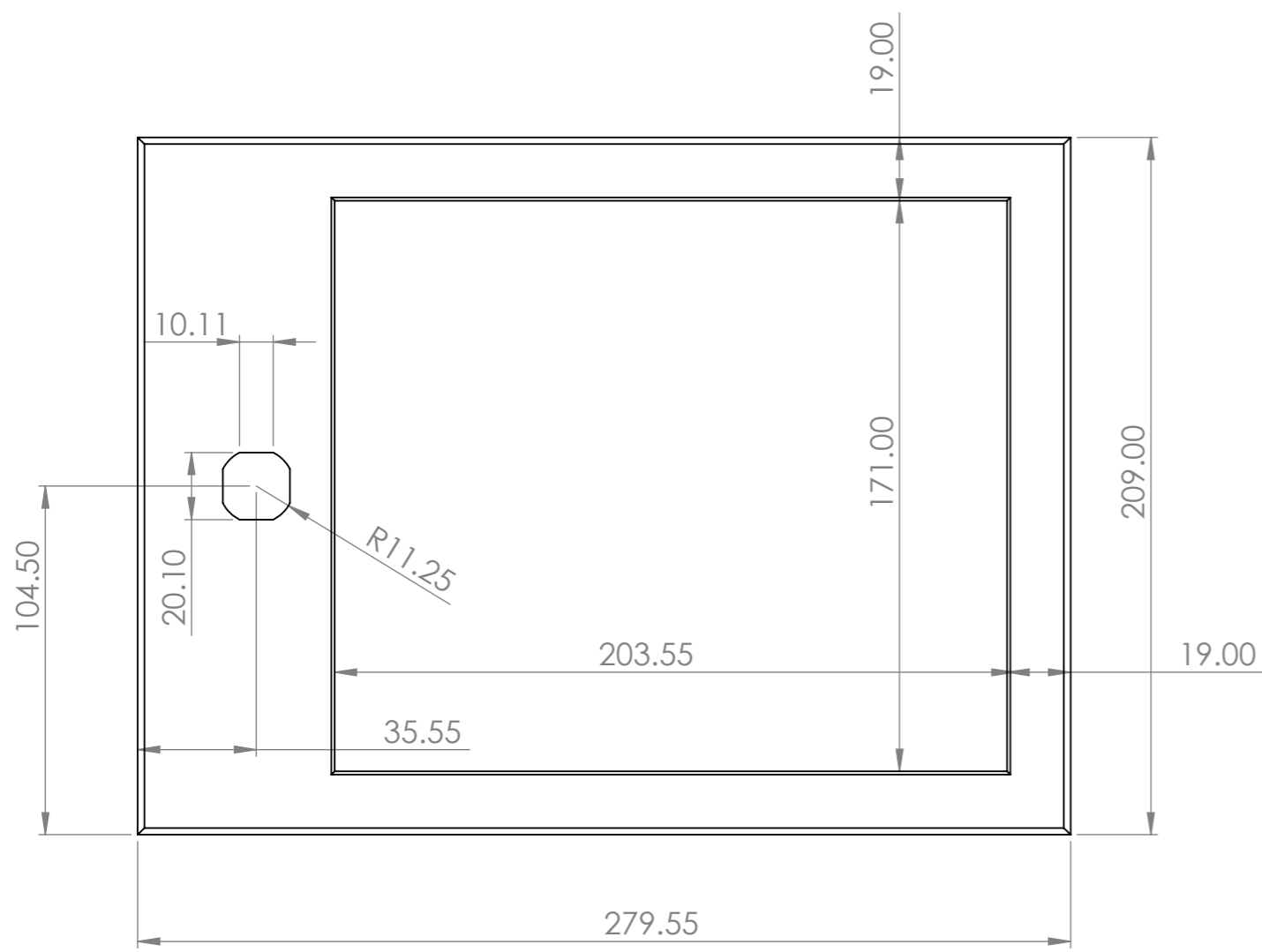
A


A



UNLESS OTHERWISE SPECIFIED: DIMENSIONS ARE IN MILLIMETERS SURFACE FINISH: TOLERANCES: LINEAR: ANGULAR:			FINISH: Galvanized		DEBURR AND BREAK SHARP EDGES		DO NOT SCALE DRAWING		REVISION		
							 METAL PRODUCTS DIRECT				
							TITLE: 150 x 150 Galv Socket				
DRAWN			NAME		SIGNATURE		DATE		DWG NO. 150 x150 Flip Lid Hidden Lock Galv Socket Asy		
CHK'D									A3		
APPV'D									SCALE: 1:2		
MFG									SHEET 2 OF 6		
Q.A							MATERIAL: Mild Steel		WEIGHT: 11488.70		

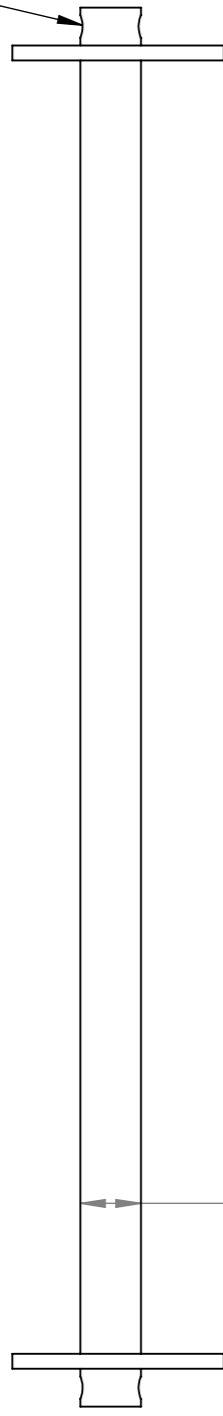
8 7 6 5 4 3 2 1



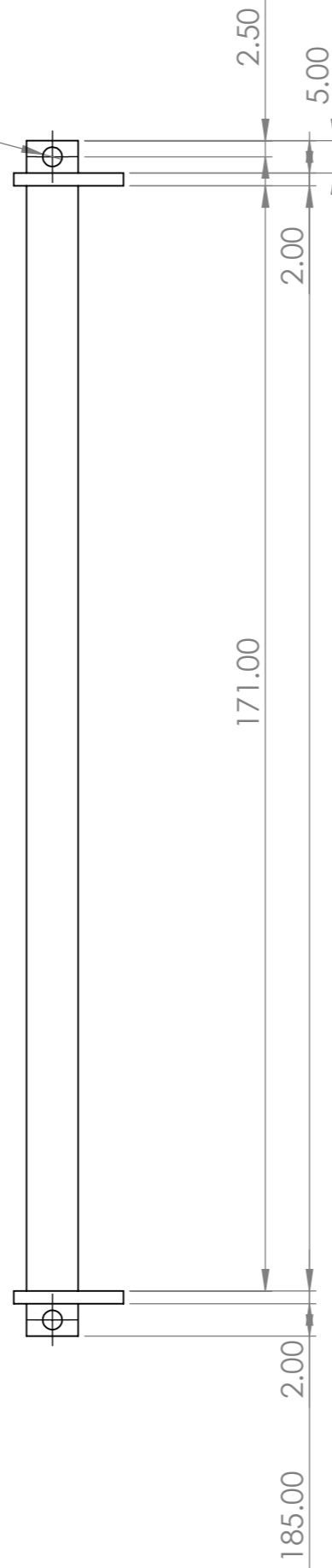
UNLESS OTHERWISE SPECIFIED: DIMENSIONS ARE IN MILLIMETERS		FINISH: Galvanized		DEBURR AND BREAK SHARP EDGES		DO NOT SCALE DRAWING		REVISION	
SURFACE FINISH:								150 x 150 Galve Ground Plate	
TOLERANCES: LINEAR: ANGULAR:									
DRAWN	NAME	SIGNATURE	DATE				DWG NO. 150 x150 Flip Lid Hidden Lock Galv Socket Asy		A3
CHK'D							SCALE: 1:2		
APPV'D							SHEET 3 OF 6		
MFG						MATERIAL: Mild Steel			
Q.A						WEIGHT: 11488.70			

8 7 6 5 4 3 2 1

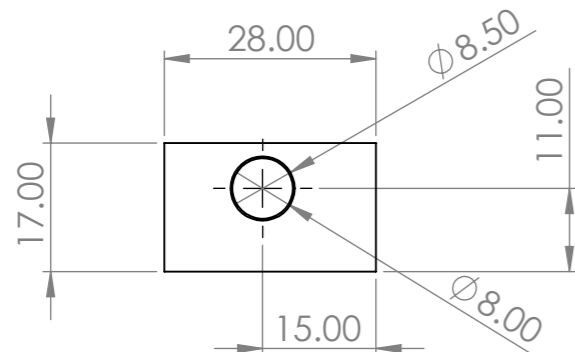
2no 3mm holes
for Stainless Steel
Split Pins



∅ 3.00



∅ 8.00



UNLESS OTHERWISE SPECIFIED: DIMENSIONS ARE IN MILLIMETERS SURFACE FINISH: TOLERANCES: LINEAR: ANGULAR:				FINISH: Galvanized		DEBURR AND BREAK SHARP EDGES		DO NOT SCALE DRAWING		REVISION	
DRAWN				NAME		SIGNATURE		DATE		TITLE: 150 x 150 Galv Hinge	
CHK'D										DWG NO. 150 x 150 Flip Lid Hidden Lock Galv Socket Asy	
APPV'D										A3	
MFG										SCALE: 1:1	
Q.A								MATERIAL: Mild Steel		SHEET 5 OF 6	
								WEIGHT: 11488.70			

8 7 6 5 4 3 2 1

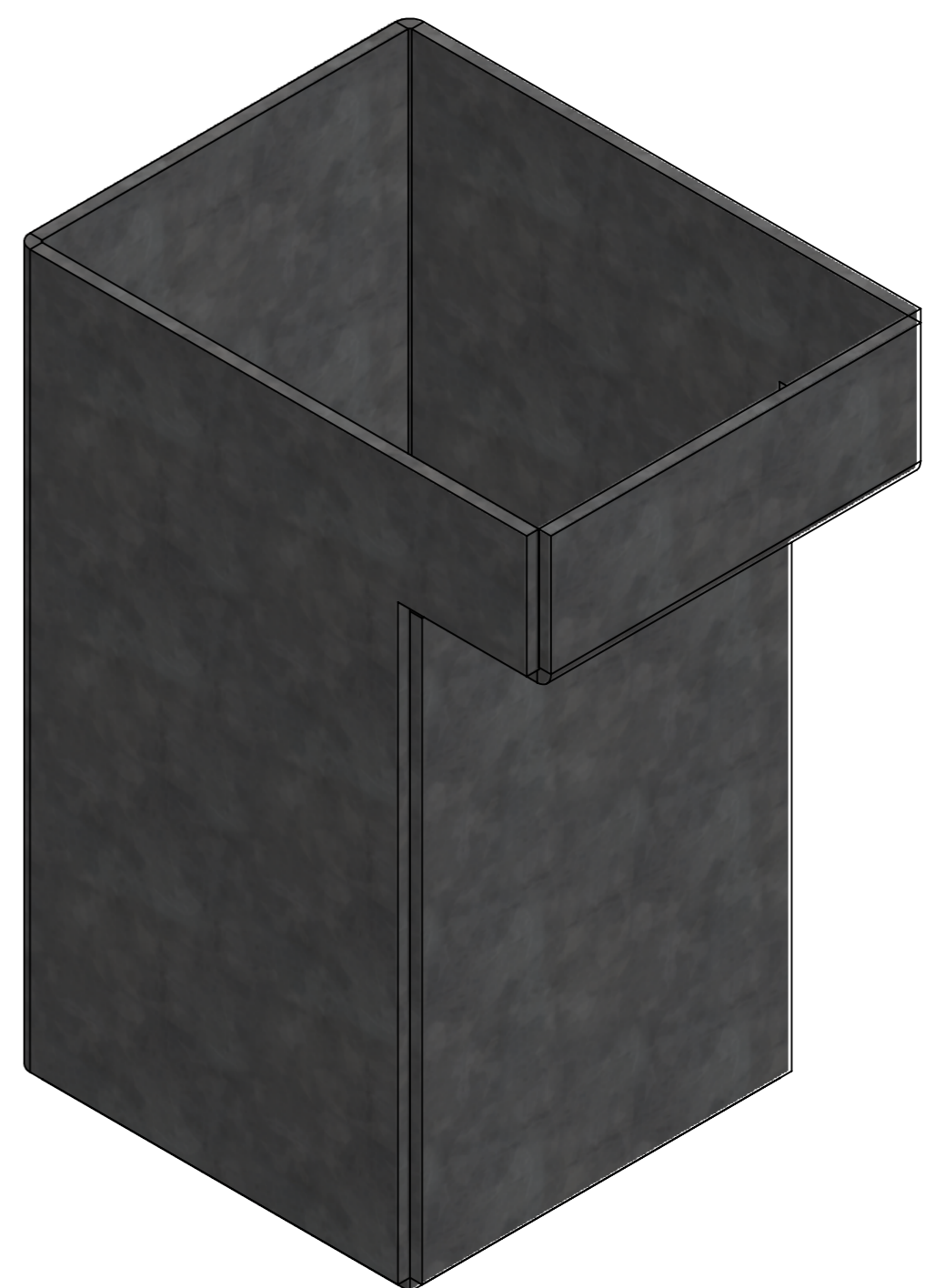
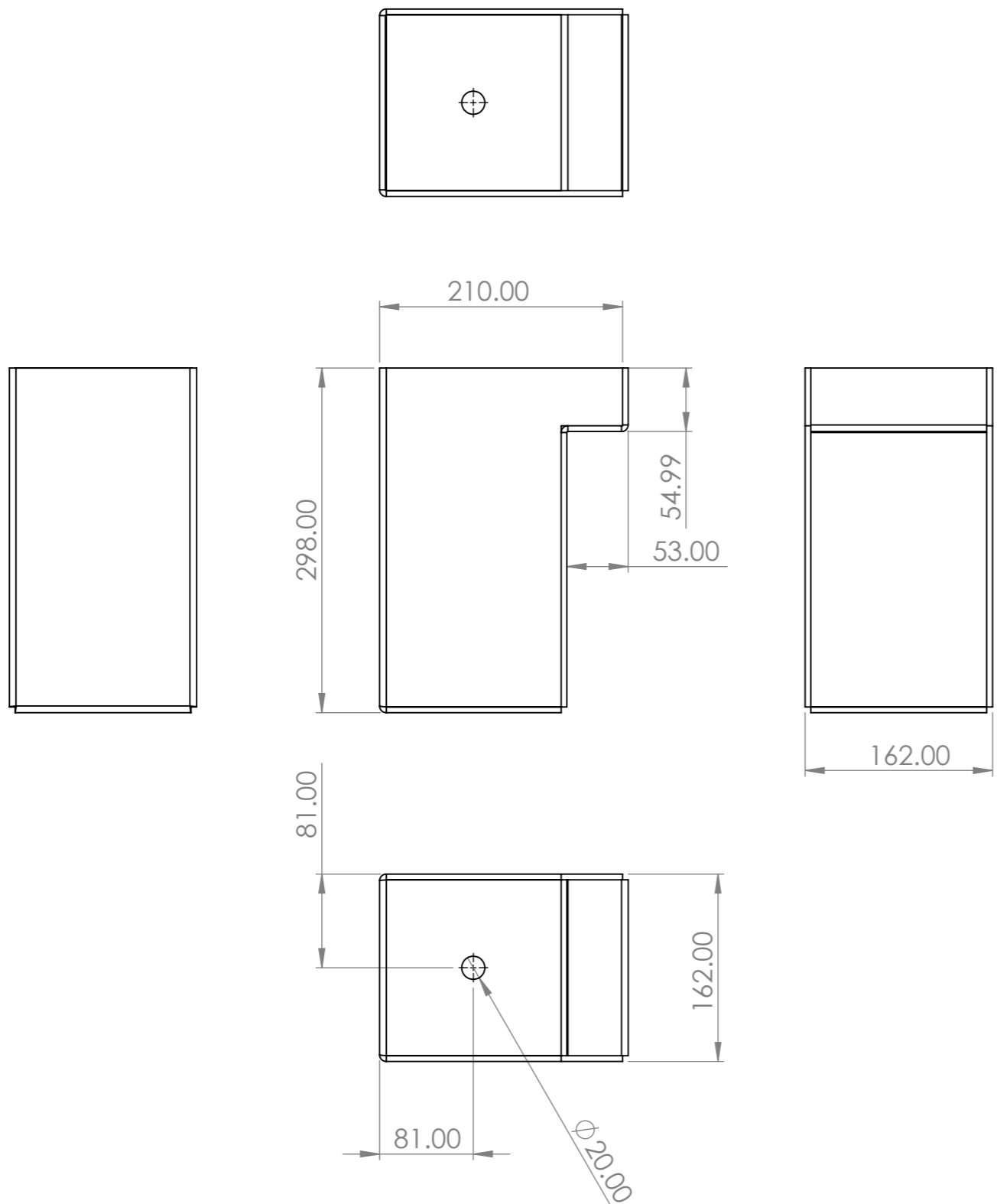
F
E
D
C
B
A


F
E
D
C
B
A

8 7 6 5 4 3 2 1

F
E
D
C
B
A

F
E
D
C
B
A



UNLESS OTHERWISE SPECIFIED: DIMENSIONS ARE IN MILLIMETERS SURFACE FINISH: TOLERANCES: LINEAR: ANGULAR:				FINISH: Galvanized		DEBURR AND BREAK SHARP EDGES		DO NOT SCALE DRAWING		REVISION	
DRAWN								 TITLE: 150 x150 Galv Socket			
CHK'D											
APPV'D											
MFG											
Q.A											
MATERIAL: Mild Steel						DWG NO. 150 x150 Flip Lid Hidden Lock Galv Socket Asy		A3			
WEIGHT: 11488.70						SCALE:1:5		SHEET 6 OF 6			

8 7 6 5 4 3 2 1