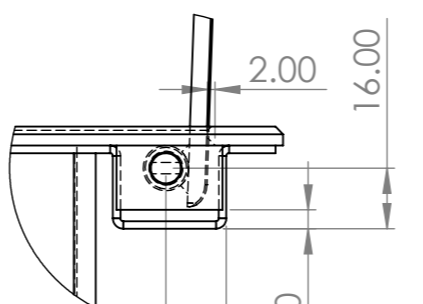


DETAIL B
SCALE 1 : 2



DETAIL A
SCALE 1 : 2

UNLESS OTHERWISE SPECIFIED: DIMENSIONS ARE IN MILLIMETERS SURFACE FINISH: TOLERANCES: LINEAR: ANGULAR:			FINISH: 0.0	DEBURR AND BREAK SHARP EDGES	DO NOT SCALE DRAWING	REVISION
DRAWN				TITLE: 168mm Galv Socket		
CHK'D				DWG NO. 168mm Galv Socket Asy		
APPV'D				SCALE:1:5		
MFG				SHEET 1 OF 6		
Q.A				A3		
MATERIAL: Galvanized Steel				WEIGHT: 12810.21		

8 7 6 5 4 3 2 1

F

F

E

E

D

D

C

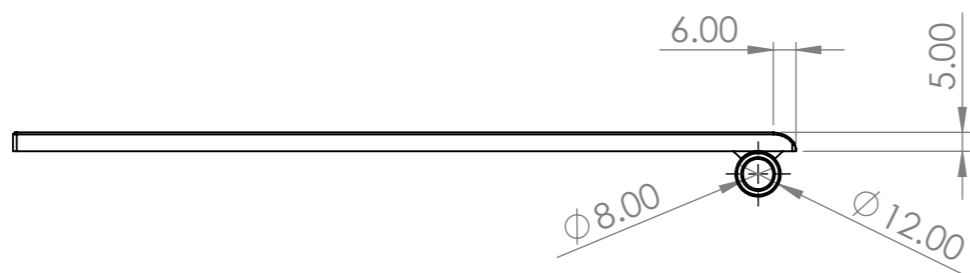
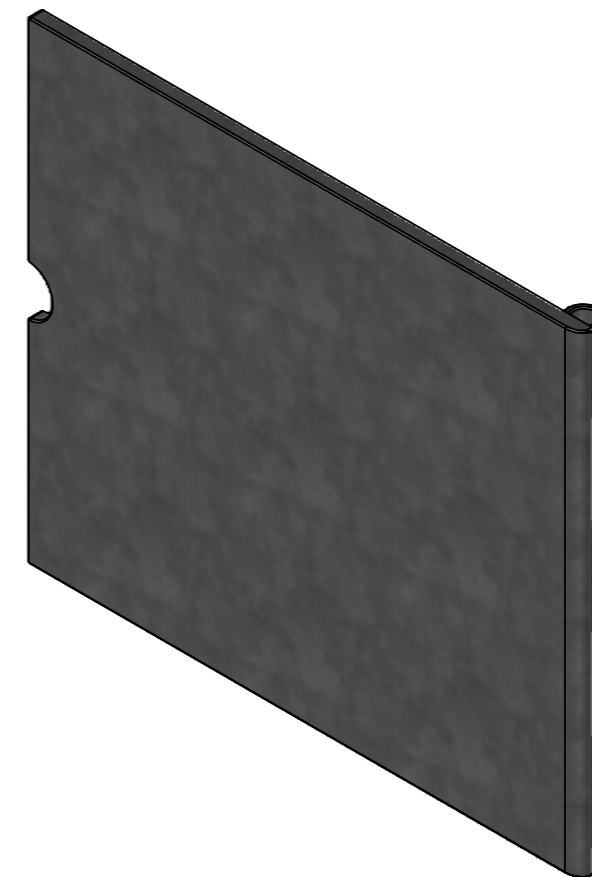
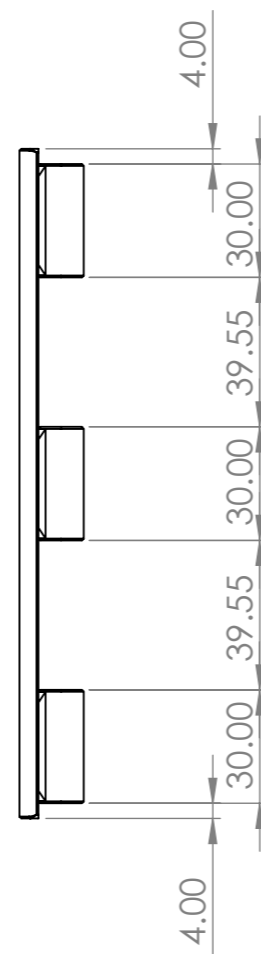
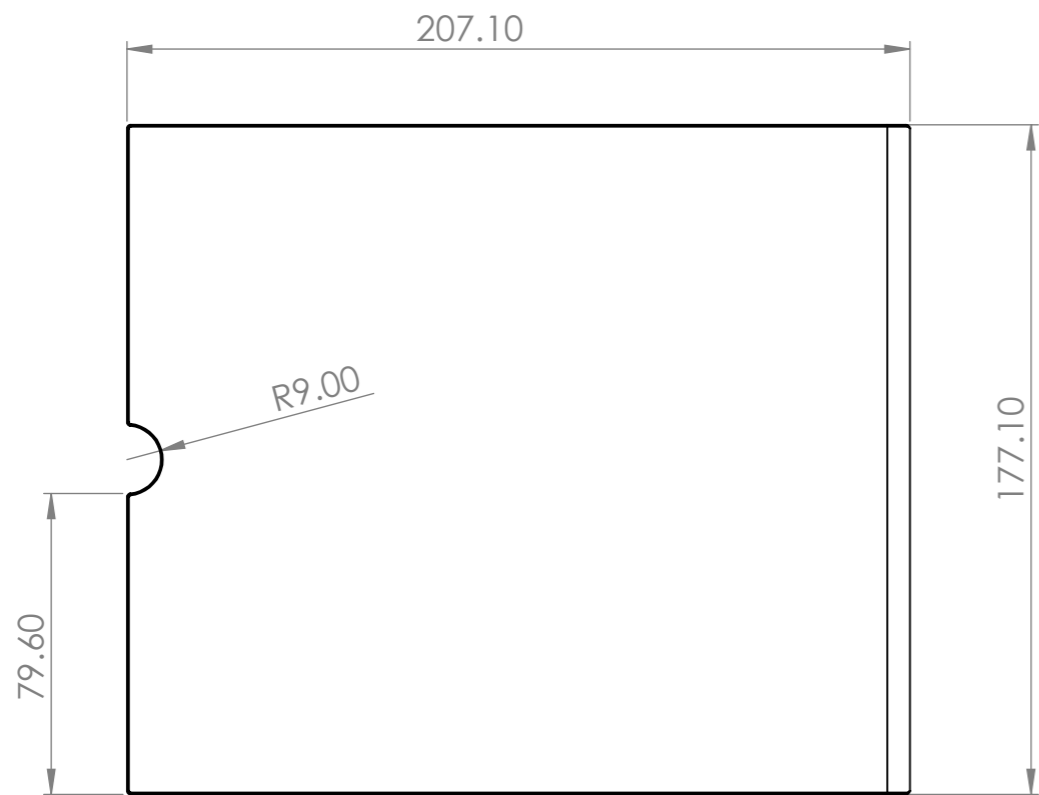
C

B

B

A

A



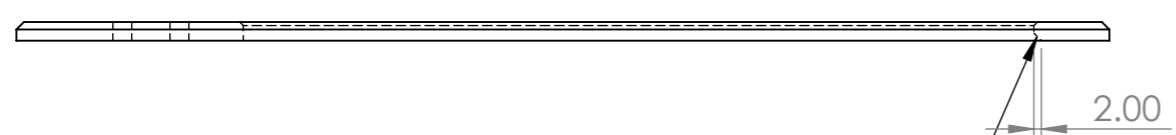
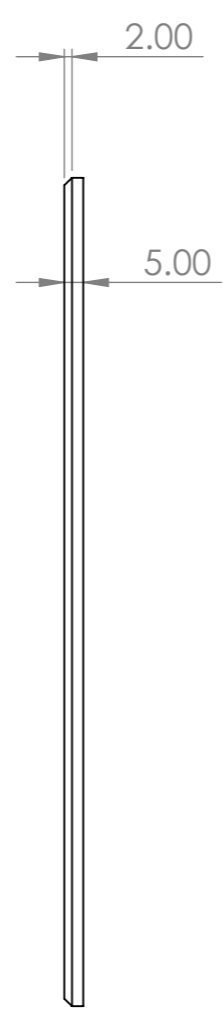
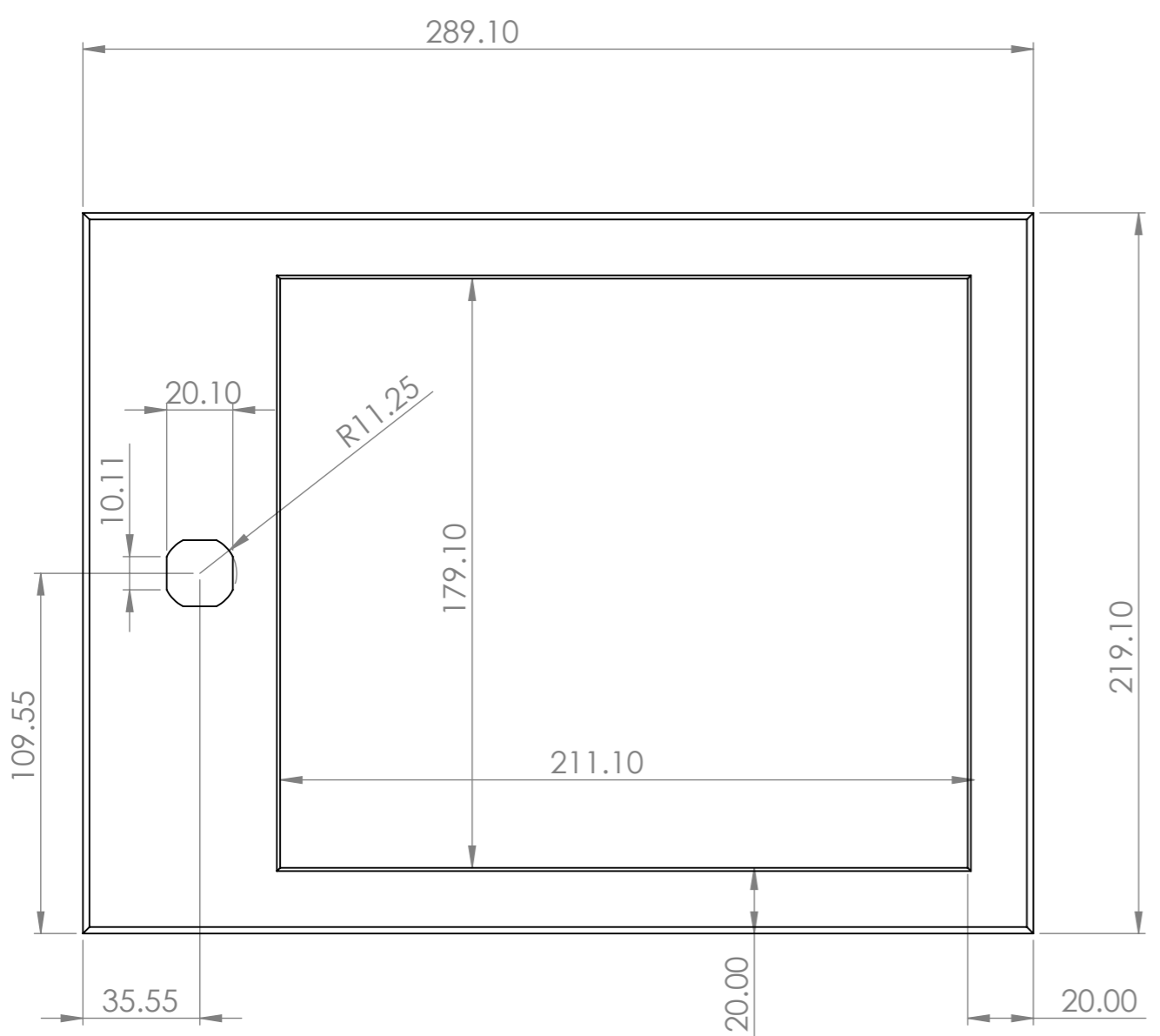
UNLESS OTHERWISE SPECIFIED: DIMENSIONS ARE IN MILLIMETERS SURFACE FINISH: TOLERANCES: LINEAR: ANGULAR:			FINISH: 0.0		DEBURR AND BREAK SHARP EDGES		DO NOT SCALE DRAWING		REVISION			
							TITLE: 168mm Galv Flip Lid					
DRAWN			NAME		SIGNATURE		DATE		DWG NO. 168mm Galv Socket Asy			
CHK'D									A3			
APPV'D												
MFG												
Q.A												
							MATERIAL: Galvanized Steel					
							WEIGHT: 12810.21		SCALE: 1:5		SHEET 2 OF 6	

8 7 6 5 4 3 2 1

8 7 6 5 4 3 2 1

F
E
D
C
B
A

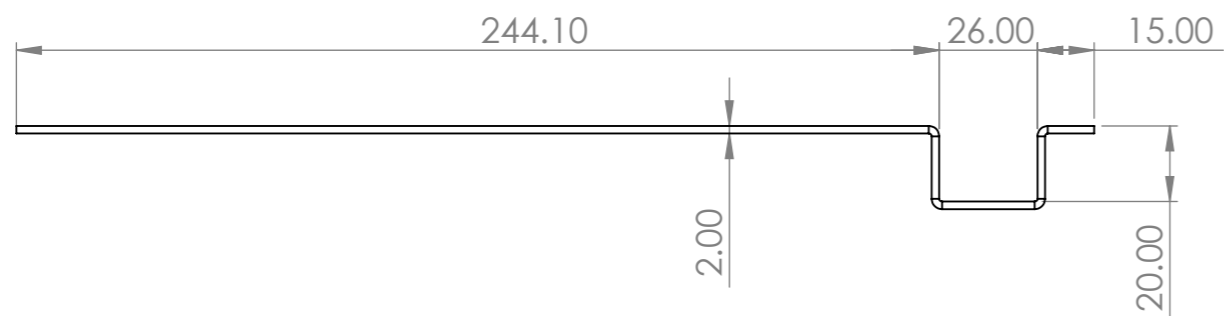
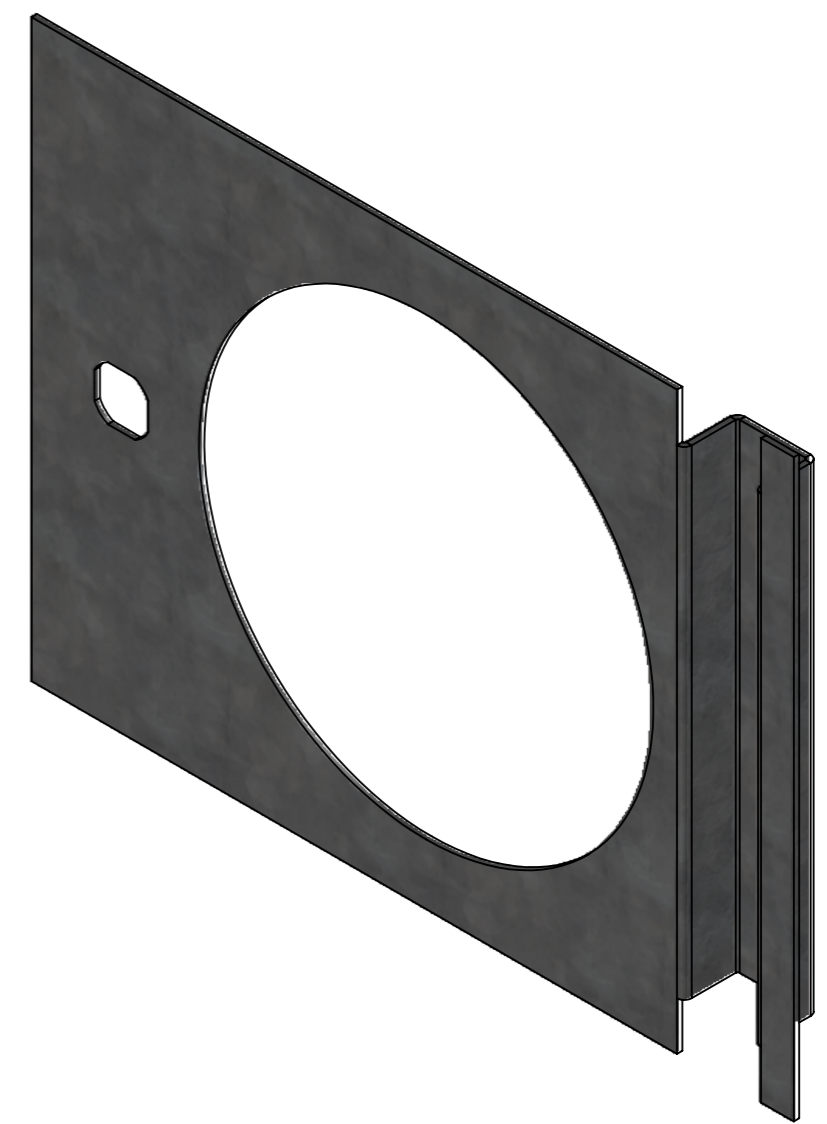
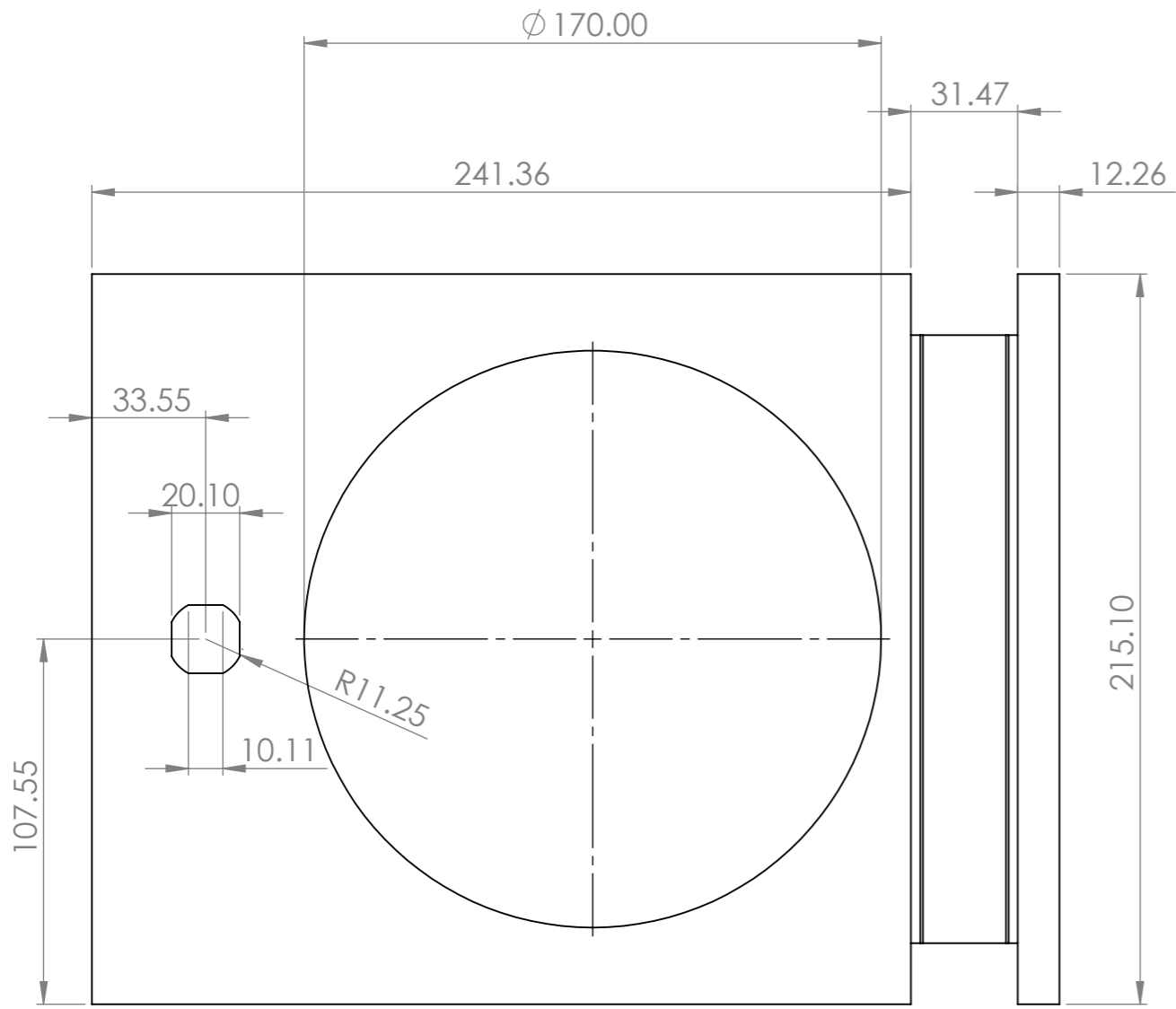
F
E
D
C
B
A




2mm Chamfer to allow for hinge

UNLESS OTHERWISE SPECIFIED: DIMENSIONS ARE IN MILLIMETERS SURFACE FINISH: TOLERANCES: LINEAR: ANGULAR:			FINISH: 0.0		DEBURR AND BREAK SHARP EDGES		DO NOT SCALE DRAWING		REVISION			
							TITLE: 168mm Galv Ground Plate					
							DWG NO. 168mm Galv Socket Asy				A3	
							MATERIAL: Galvanized Steel		SCALE: 1:2		SHEET 3 OF 6	
							WEIGHT: 12810.21					
NAME	SIGNATURE	DATE										
DRAWN												
CHK'D												
APPV'D												
MFG												
Q.A												

8 7 6 5 4 3 2 1



UNLESS OTHERWISE SPECIFIED: DIMENSIONS ARE IN MILLIMETERS SURFACE FINISH: TOLERANCES: LINEAR: ANGULAR:			FINISH: Galvanized		DEBURR AND BREAK SHARP EDGES		DO NOT SCALE DRAWING		REVISION			
												
							TITLE: 168mm Galv Guide Plate					
							DWG NO. 168mm Galv Socket Asy				A3	
							WEIGHT: 12810.21		SCALE: 1:2		SHEET 4 OF 6	
DRAWN	NAME	SIGNATURE	DATE									
CHK'D												
APPV'D												
MFG												
Q.A						MATERIAL: Galvanized Steel						

8 7 6 5 4 3 2 1

F

F

E

E

D

D

C

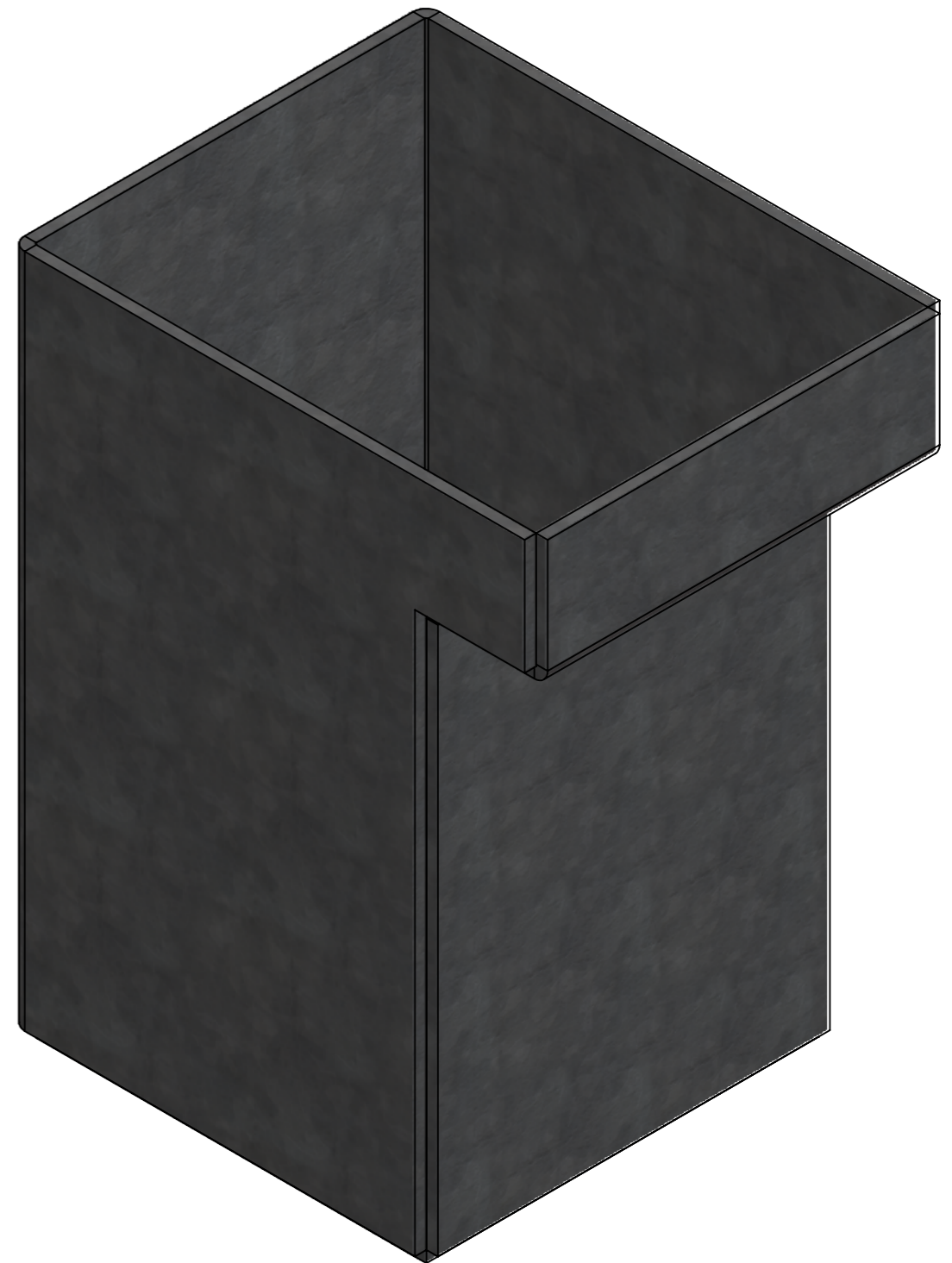
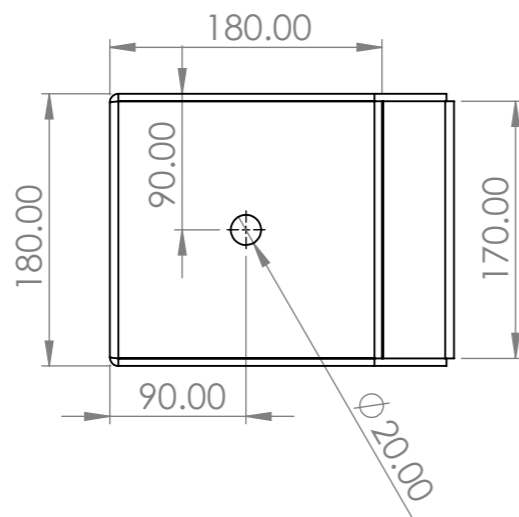
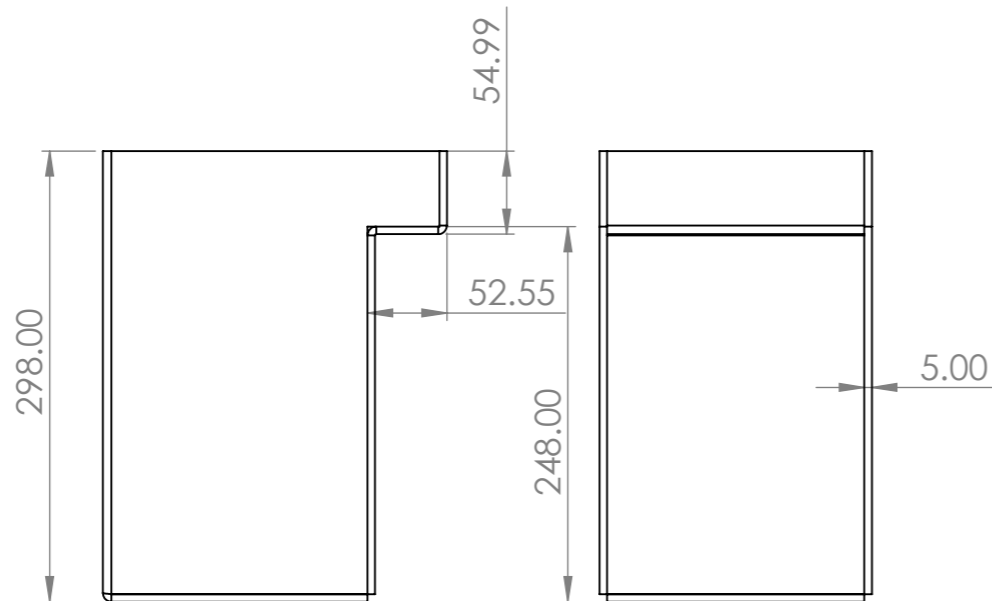
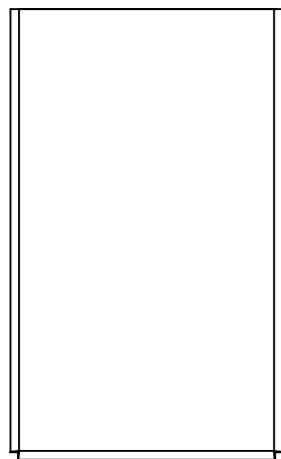
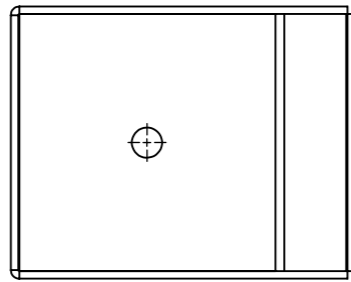
C

B

B

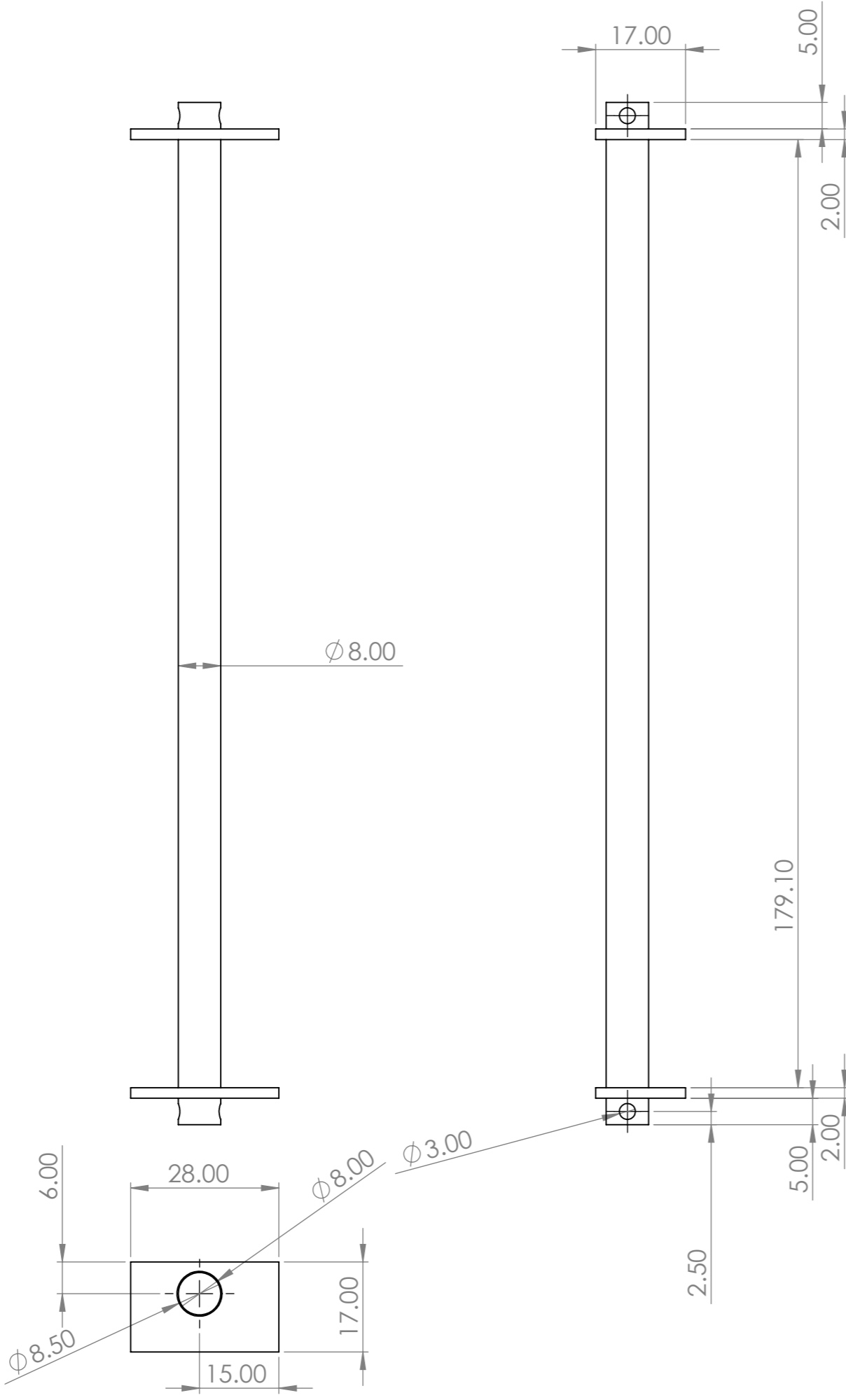
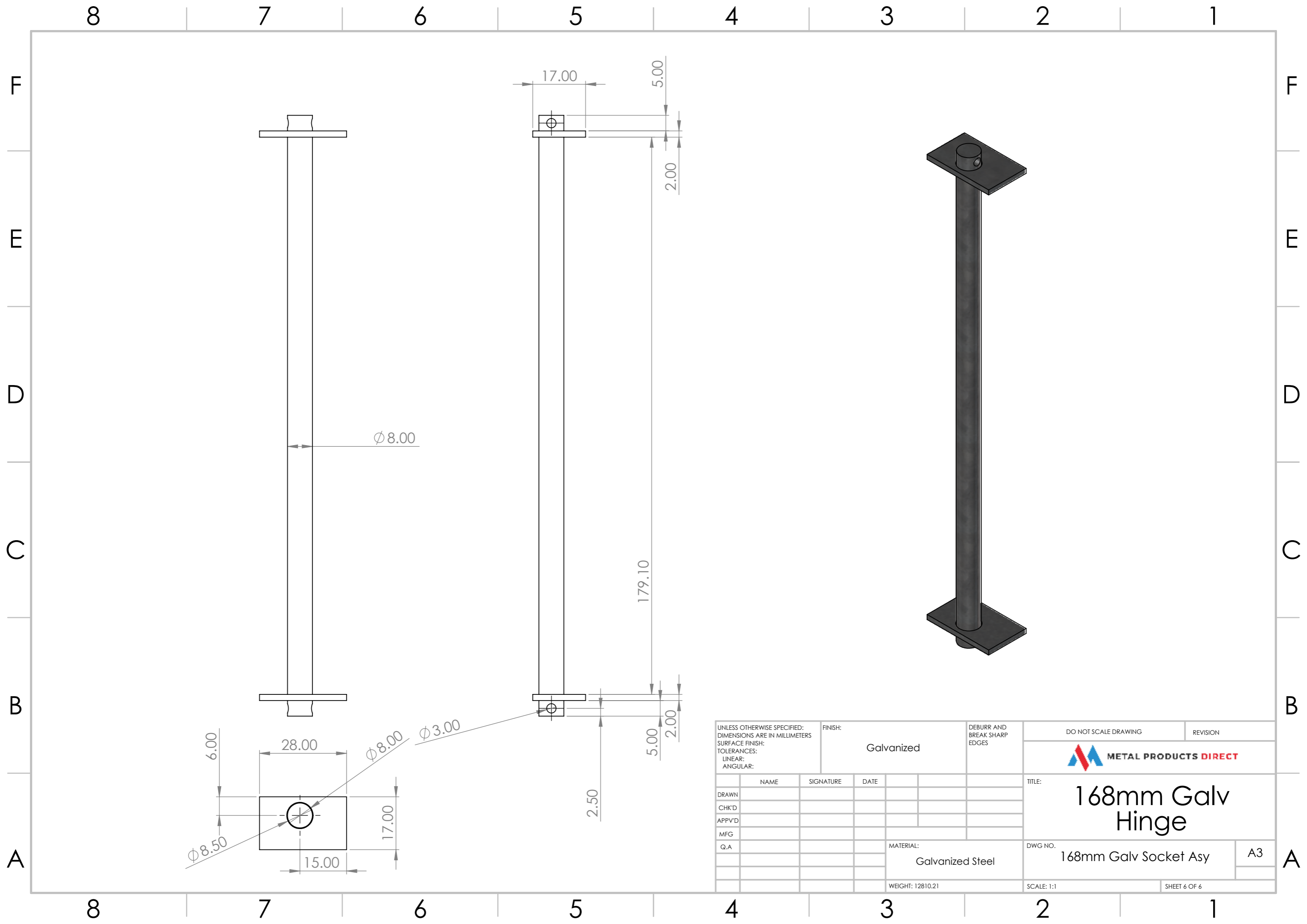
A

A



UNLESS OTHERWISE SPECIFIED: DIMENSIONS ARE IN MILLIMETERS SURFACE FINISH: TOLERANCES: LINEAR: ANGULAR:			FINISH: Galvanized		DEBURR AND BREAK SHARP EDGES		DO NOT SCALE DRAWING		REVISION		
DRAWN			NAME		SIGNATURE		DATE		TITLE: 168mm Galv Bollard Socket		
CHK'D									DWG NO. 168mm Galv Socket Asy		
APPV'D									A3		
MFG									SCALE:1:5		
Q.A									SHEET 5 OF 6		
					MATERIAL: Galvanized Steel		WEIGHT: 12810.21				

8 7 6 5 4 3 2 1



UNLESS OTHERWISE SPECIFIED: DIMENSIONS ARE IN MILLIMETERS SURFACE FINISH: TOLERANCES: LINEAR: ANGULAR:				FINISH: Galvanized		DEBURR AND BREAK SHARP EDGES		DO NOT SCALE DRAWING		REVISION	
								TITLE: 168mm Galv Hinge			
DRAWN						MATERIAL: Galvanized Steel		DWG NO. 168mm Galv Socket Asy		A3	
CHK'D						WEIGHT: 12810.21		SCALE: 1:1		SHEET 6 OF 6	
APPV'D											
MFG											
Q.A											