

8 7 6 5 4 3 2 1

F

F

E

E

D

D

C

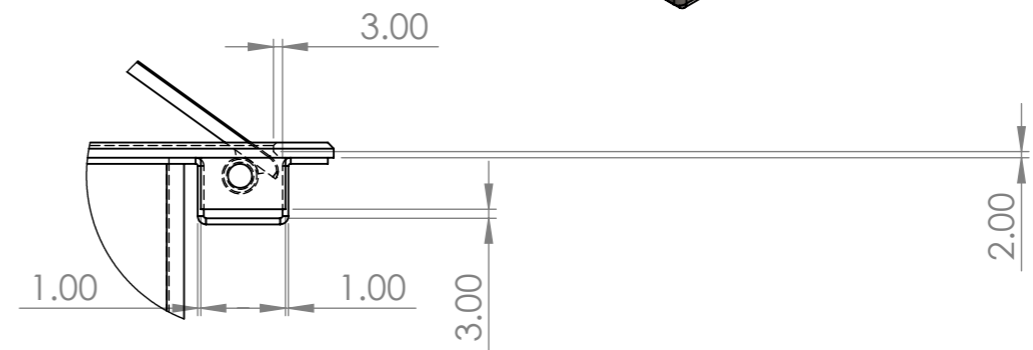
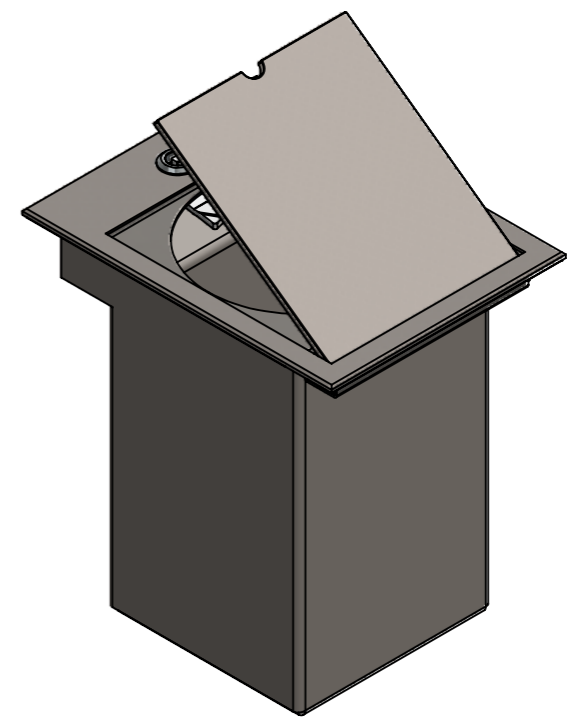
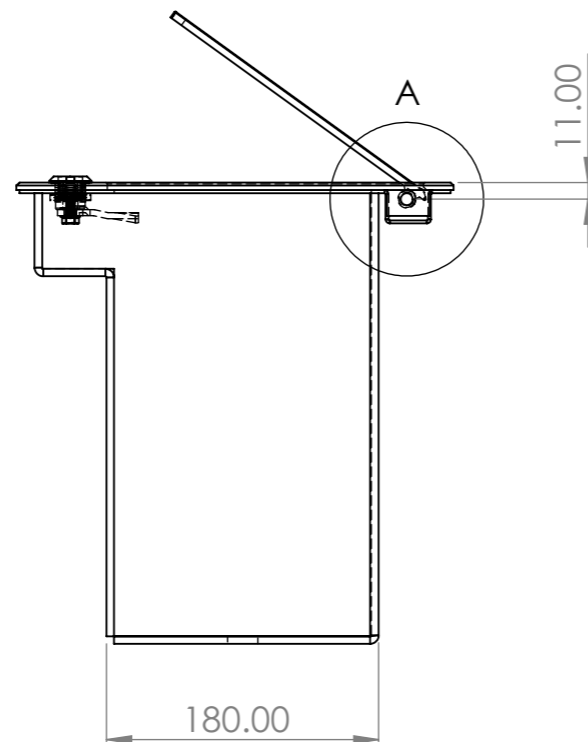
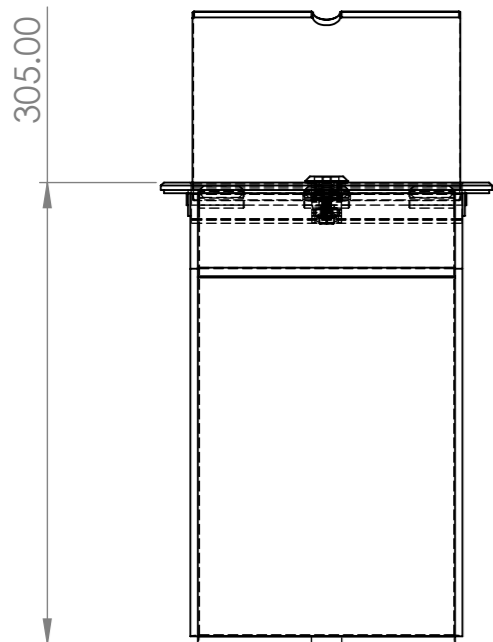
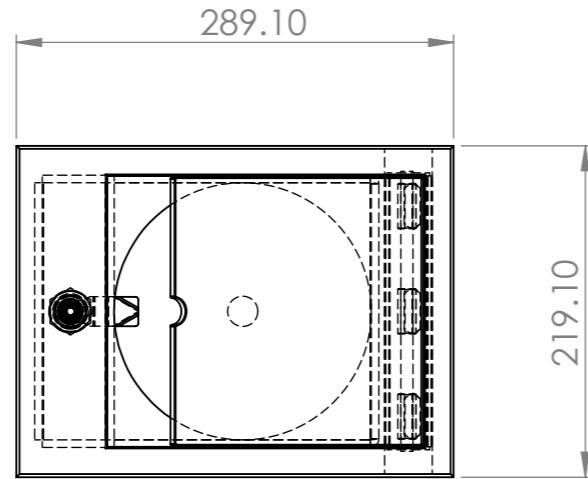
C

B

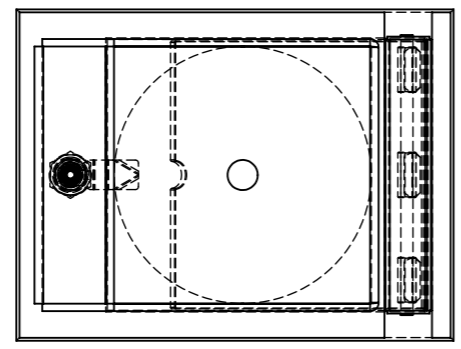
B

A

A



DETAIL A  
SCALE 2 : 5



UNLESS OTHERWISE SPECIFIED: DIMENSIONS ARE IN MILLIMETERS SURFACE FINISH: TOLERANCES: LINEAR: ANGULAR:			FINISH:		DEBURR AND BREAK SHARP EDGES		DO NOT SCALE DRAWING		REVISION		
							TITLE:				
DRAWN			NAME		SIGNATURE		DATE		DWG NO. 168mm socket assembly		
CHK'D									A3		
APPV'D									SCALE:1:5		
MFG									SHEET 1 OF 6		
Q.A							MATERIAL: Material <not specified>				
							WEIGHT: 13019.50				

8 7 6 5 4 3 2 1

8 7 6 5 4 3 2 1

F

F

E

E

D

D

C

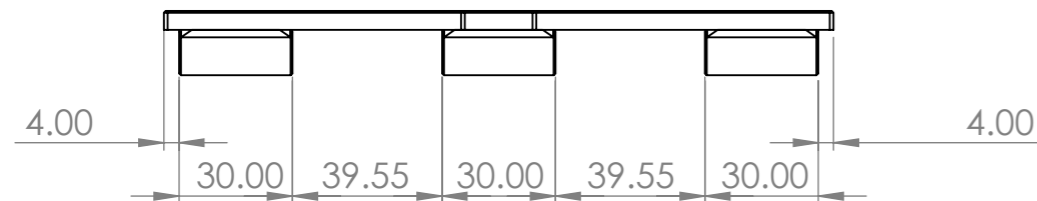
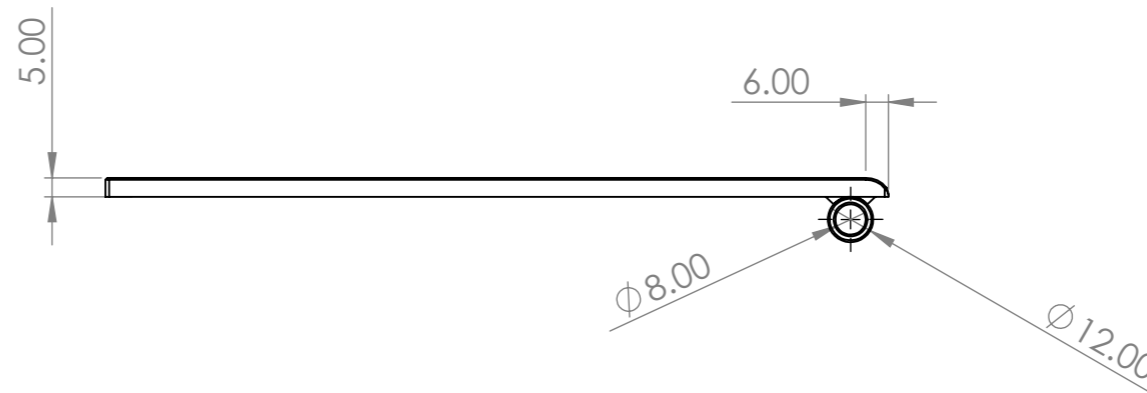
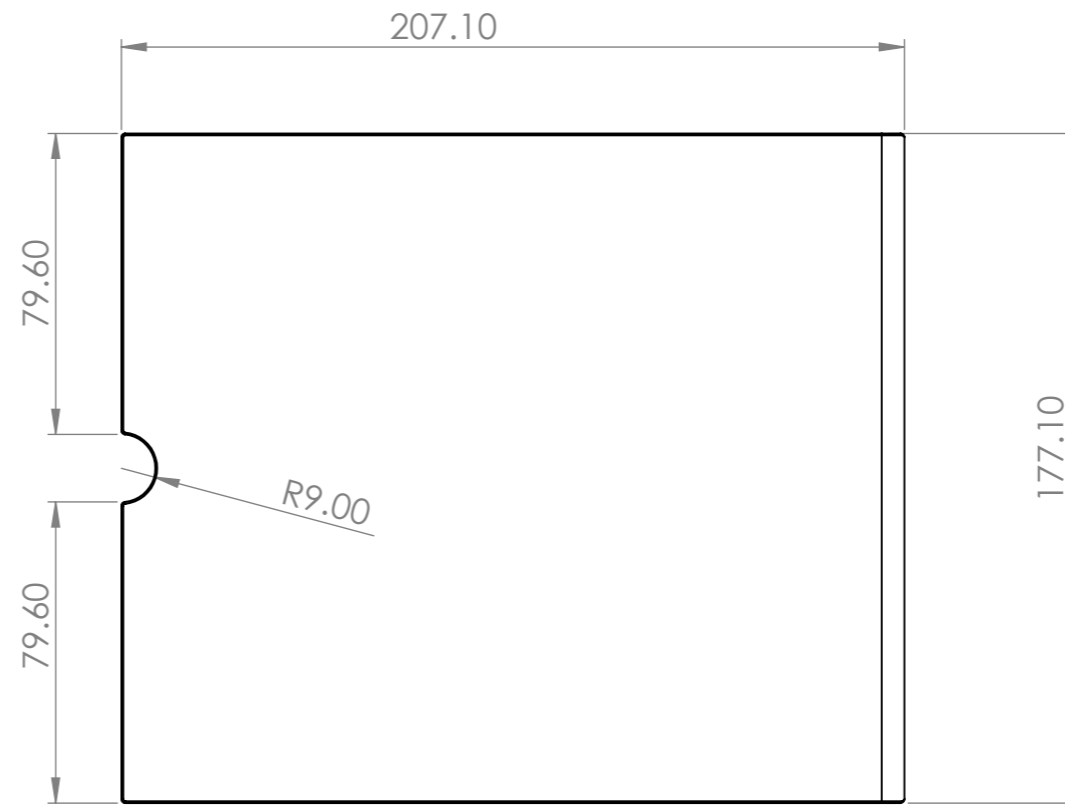
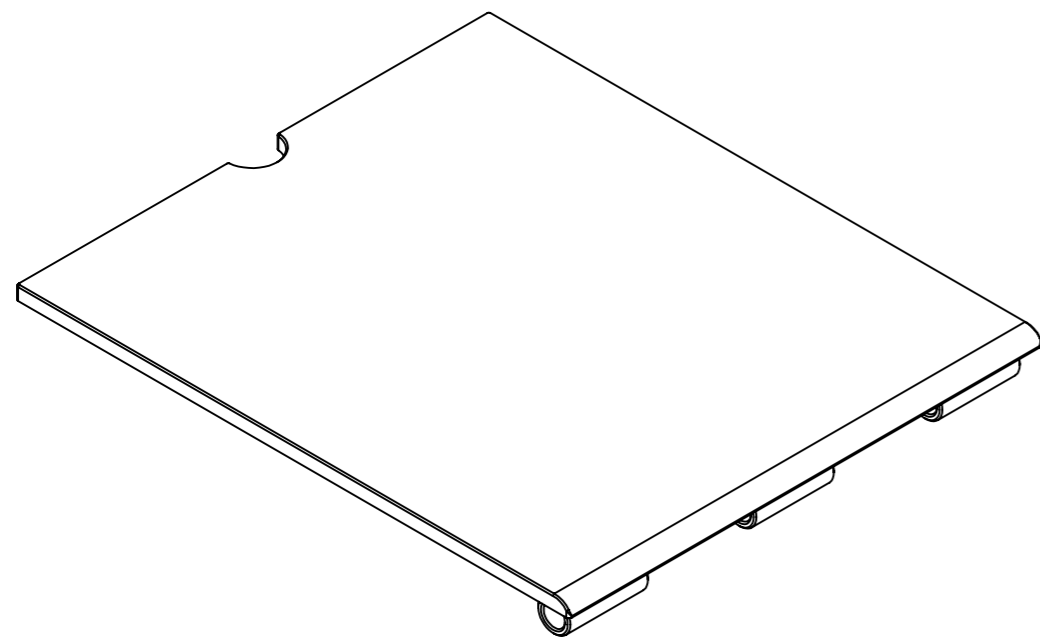
C

B

B

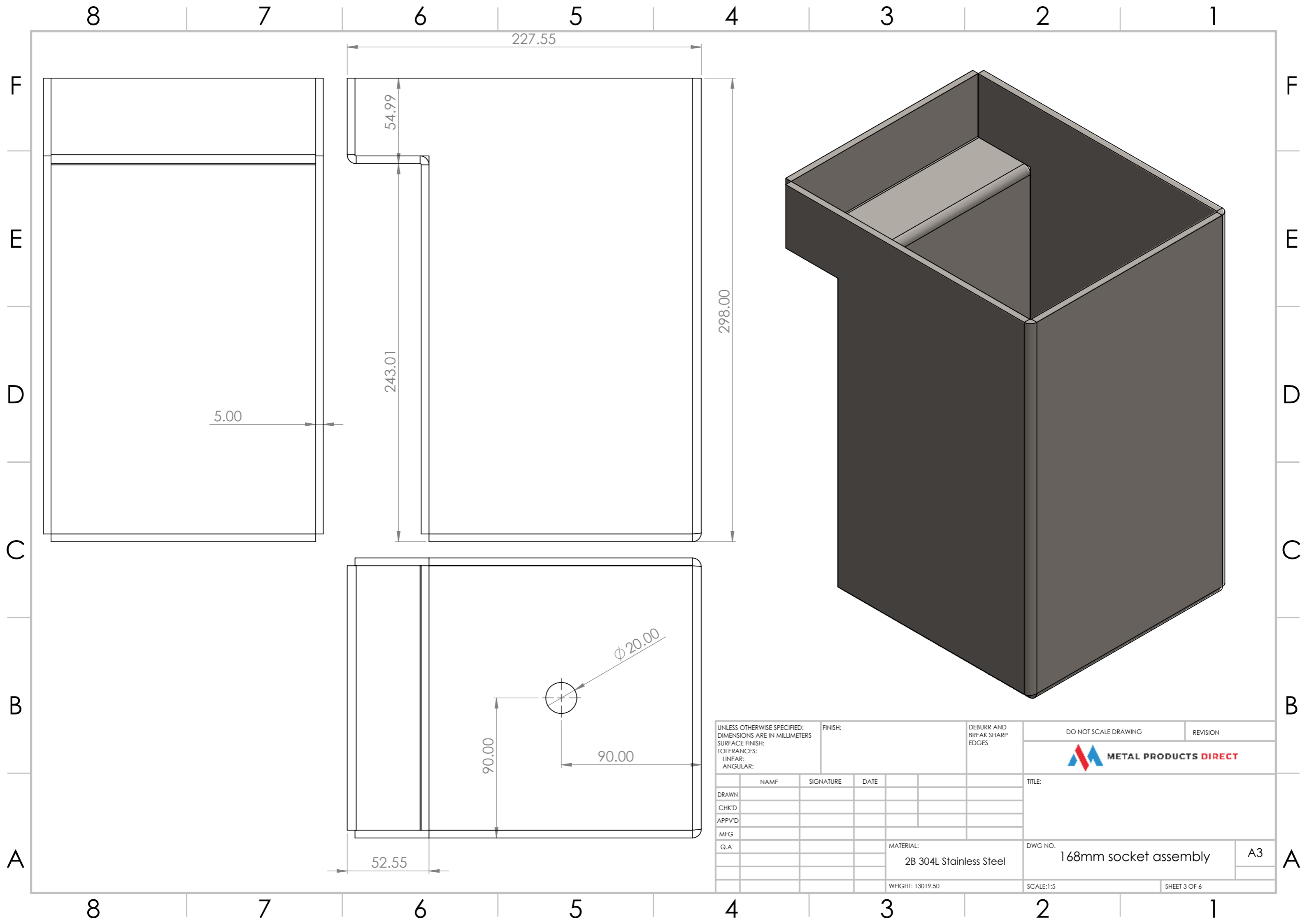
A


A



UNLESS OTHERWISE SPECIFIED: DIMENSIONS ARE IN MILLIMETERS SURFACE FINISH: TOLERANCES: LINEAR: ANGULAR:			FINISH:		DEBURR AND BREAK SHARP EDGES		DO NOT SCALE DRAWING		REVISION		
							TITLE:				
DRAWN			NAME		SIGNATURE		DATE				
CHK'D											
APPV'D											
MFG											
Q.A									MATERIAL:		
									Polished Stainless Steel		DWG NO.
									168mm socket assembly		A3
									WEIGHT: 13019.50		SCALE: 1:5
											SHEET 2 OF 6

8 7 6 5 4 3 2 1



UNLESS OTHERWISE SPECIFIED: DIMENSIONS ARE IN MILLIMETERS			FINISH:		DEBURR AND BREAK SHARP EDGES		DO NOT SCALE DRAWING		REVISION	
SURFACE FINISH:										
TOLERANCES:									TITLE:	
LINEAR:										
ANGULAR:										
DRAWN			NAME		SIGNATURE		DATE			
CHK'D										
APPV'D										
MFG										
Q.A										
					MATERIAL:		DWG NO.		A3	
					2B 304L Stainless Steel		168mm socket assembly			
					WEIGHT: 13019.50		SCALE:1:5		SHEET 3 OF 6	

8 7 6 5 4 3 2 1

F

F

E

E

D

D

C

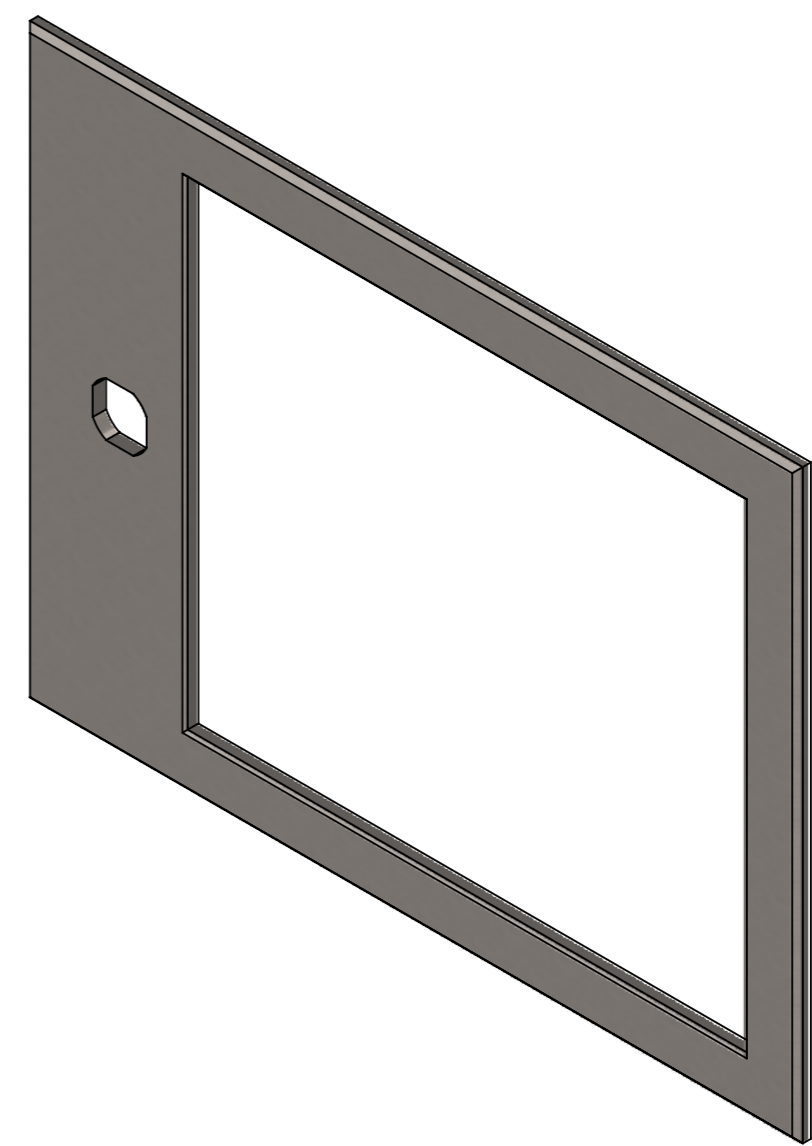
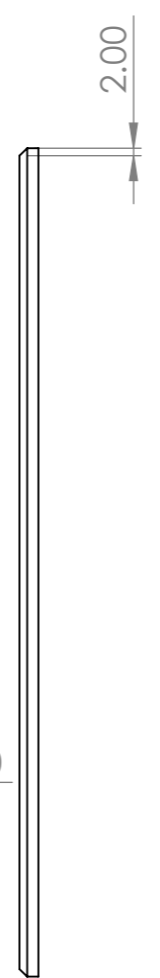
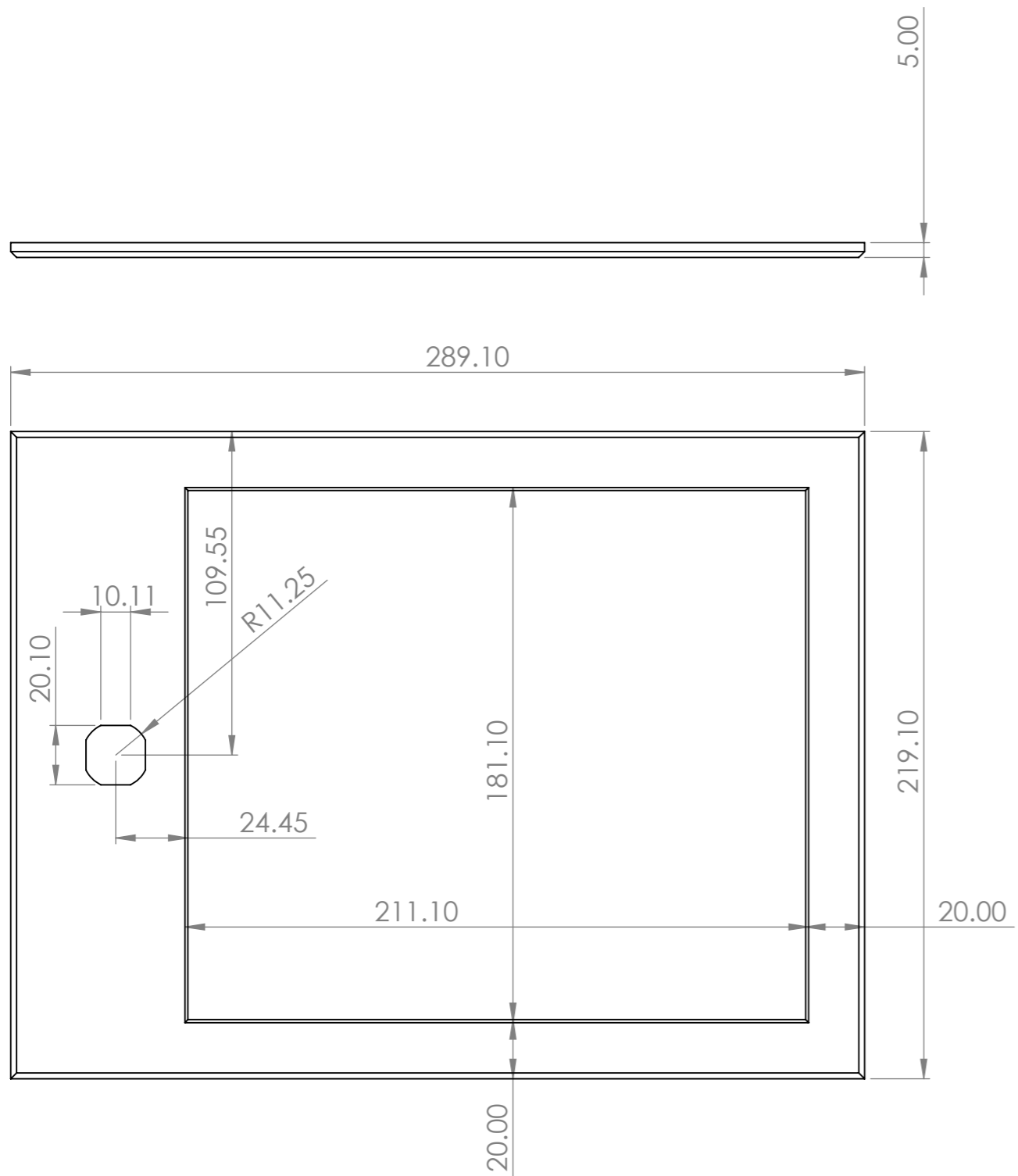
C

B

B

A

A

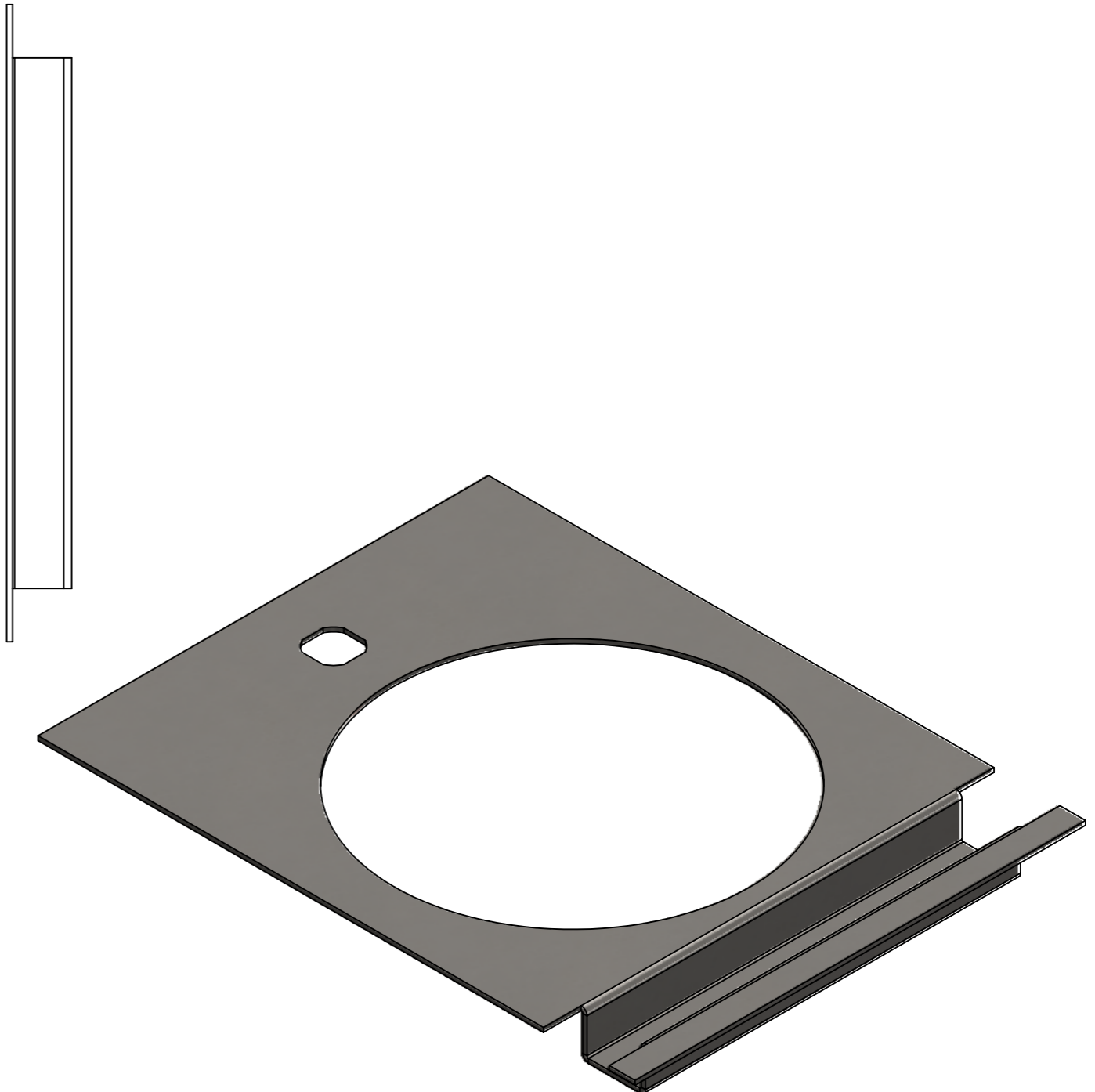
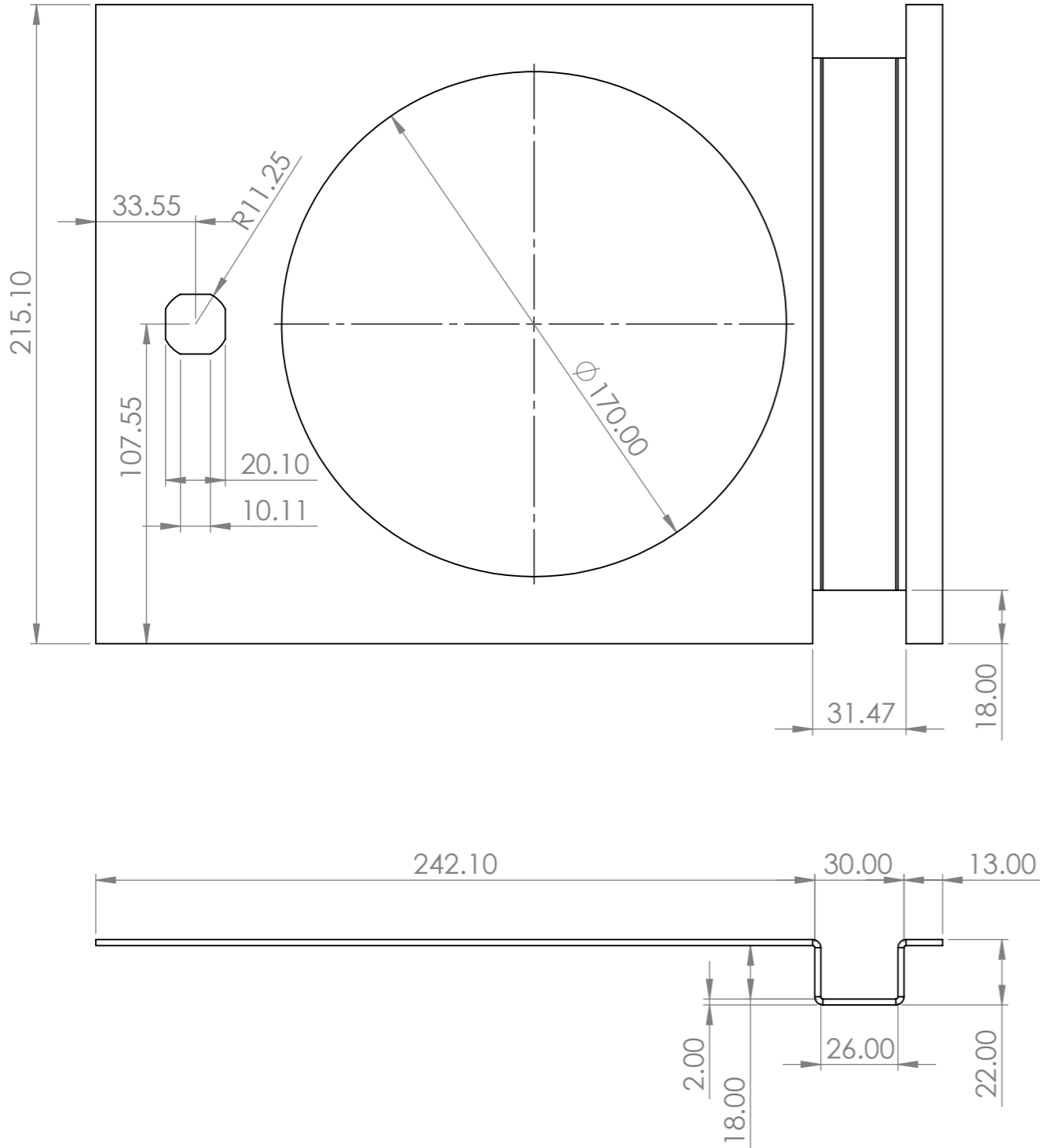


UNLESS OTHERWISE SPECIFIED: DIMENSIONS ARE IN MILLIMETERS SURFACE FINISH: TOLERANCES: LINEAR: ANGULAR:				FINISH:		DEBURR AND BREAK SHARP EDGES		DO NOT SCALE DRAWING		REVISION	
								TITLE:			
DRAWN				NAME		SIGNATURE		DATE			
CHK'D											
APPV'D											
MFG											
Q.A								MATERIAL:		DWG NO.	
								Polished SA stainless steel		168mm socket assembly	
								WEIGHT: 13019.50		SCALE: 1:5	
										SHEET 4 OF 6	
										A3	

8 7 6 5 4 3 2 1

F  
E  
D  
C  
B  
A

F  
E  
D  
C  
B  
A

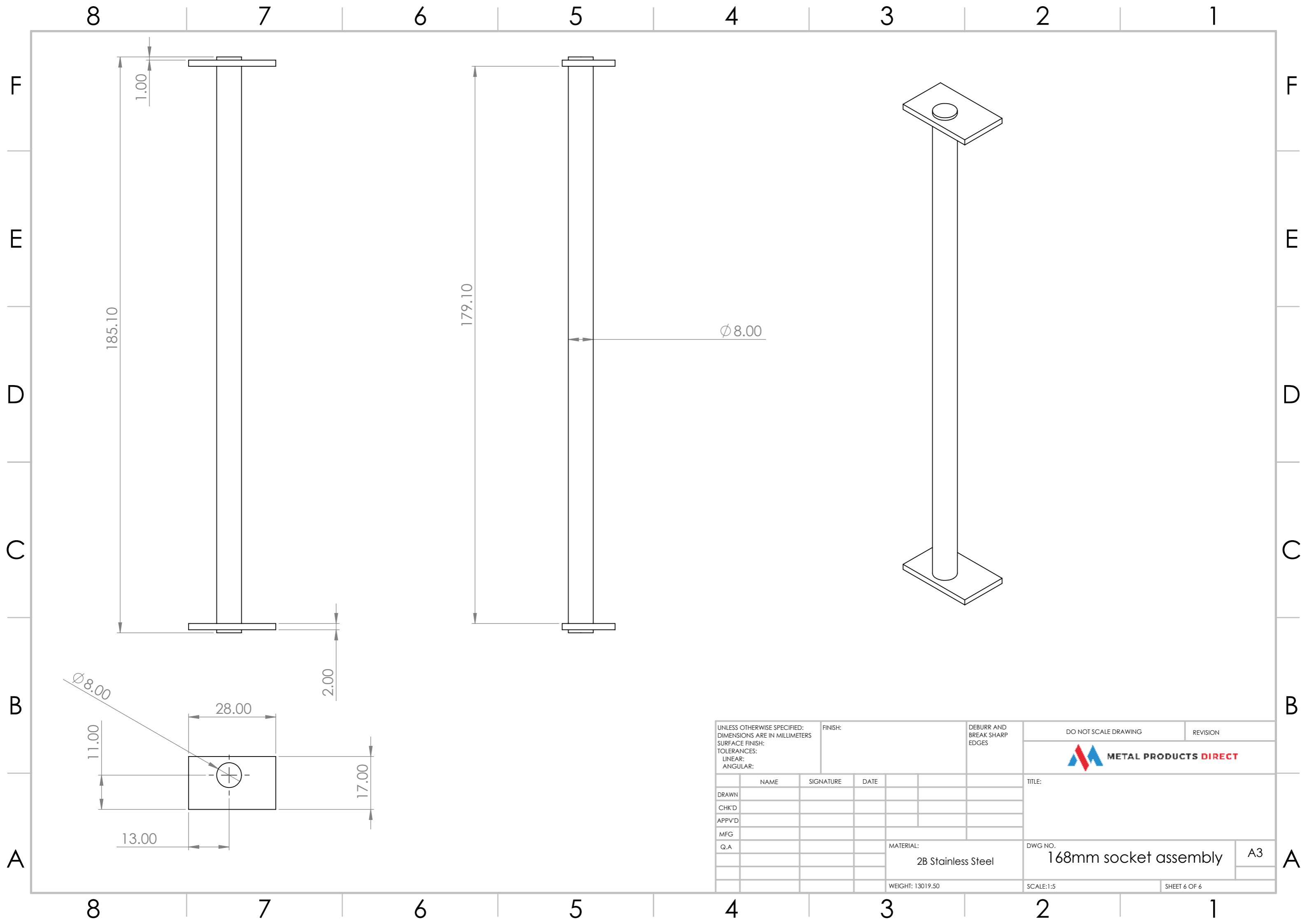


UNLESS OTHERWISE SPECIFIED: DIMENSIONS ARE IN MILLIMETERS SURFACE FINISH: TOLERANCES: LINEAR: ANGULAR:				FINISH:		DEBURR AND BREAK SHARP EDGES		DO NOT SCALE DRAWING		REVISION			
								TITLE:					
DRAWN				NAME				SIGNATURE					
CHK'D				DATE									
APPV'D													
MFG													
Q.A								MATERIAL: 2B Stainless Steel		DWG NO. 168mm socket assembly		A3	
								WEIGHT: 13019.50		SCALE: 1:5		SHEET 5 OF 6	

8 7 6 5 4 3 2 1

A

A



UNLESS OTHERWISE SPECIFIED: DIMENSIONS ARE IN MILLIMETERS SURFACE FINISH: TOLERANCES: LINEAR: ANGULAR:				FINISH:		DEBURR AND BREAK SHARP EDGES		DO NOT SCALE DRAWING		REVISION	
								TITLE:			
DRAWN				NAME		SIGNATURE		DATE		DWG NO.	
CHK'D										168mm socket assembly	
APPV'D										A3	
MFG										SCALE: 1:5	
Q.A								MATERIAL: 2B Stainless Steel		SHEET 6 OF 6	
								WEIGHT: 13019.50			