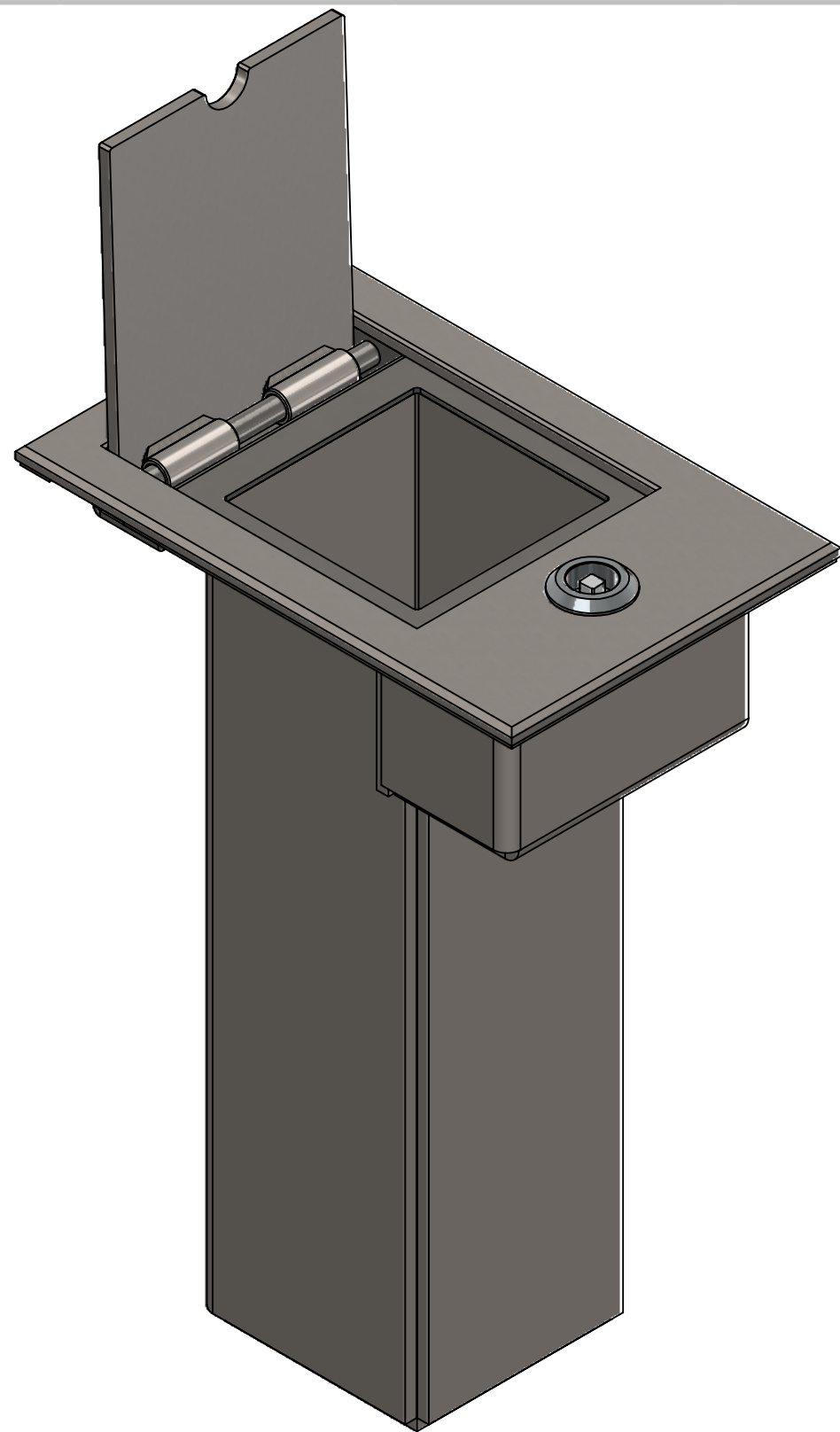
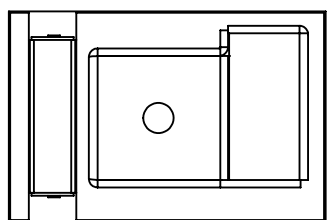
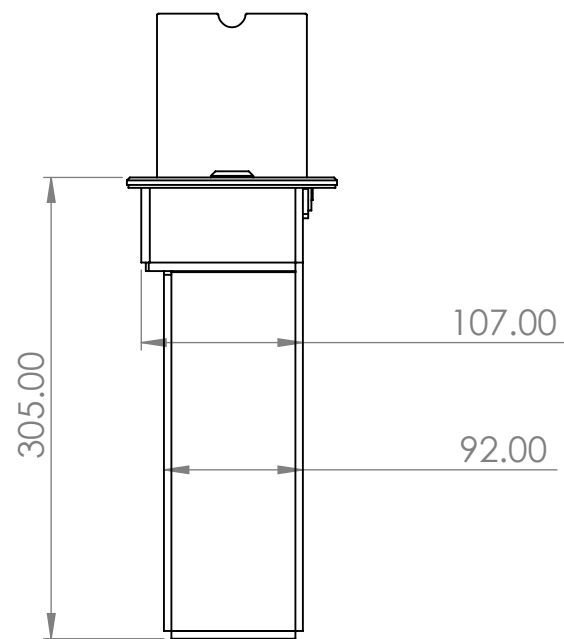
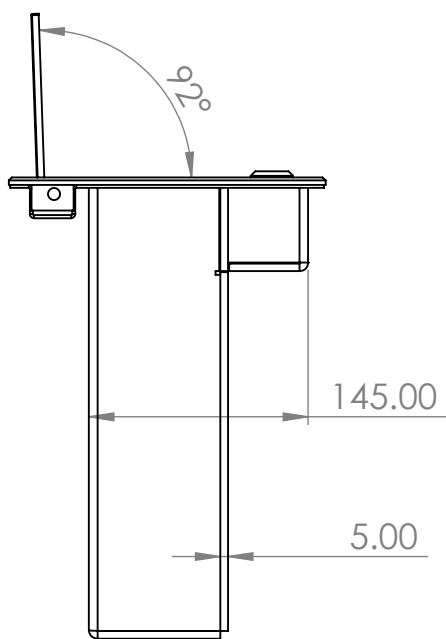
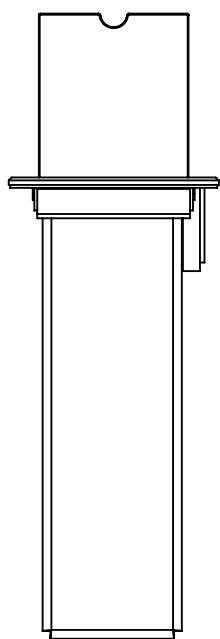
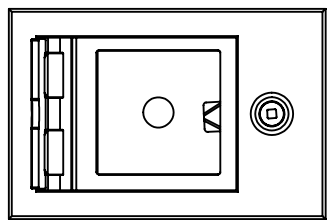


8 7 6 5 4 3 2 1

F  
E  
D  
C  
B  
A

F  
E  
D  
C  
B  
A



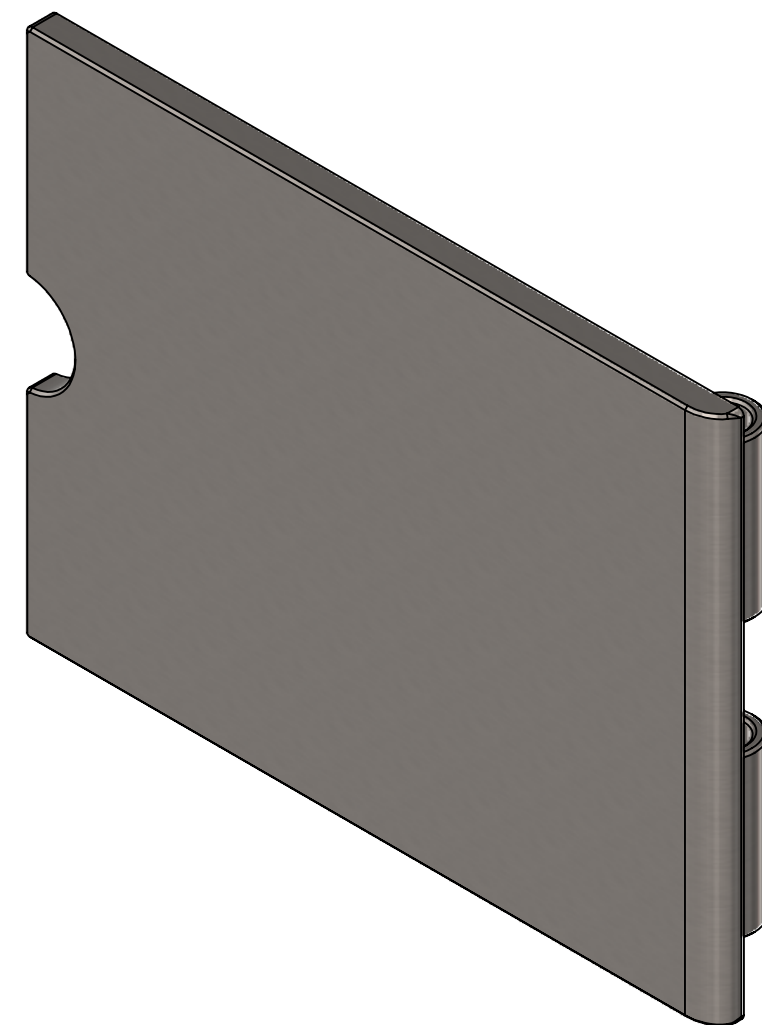
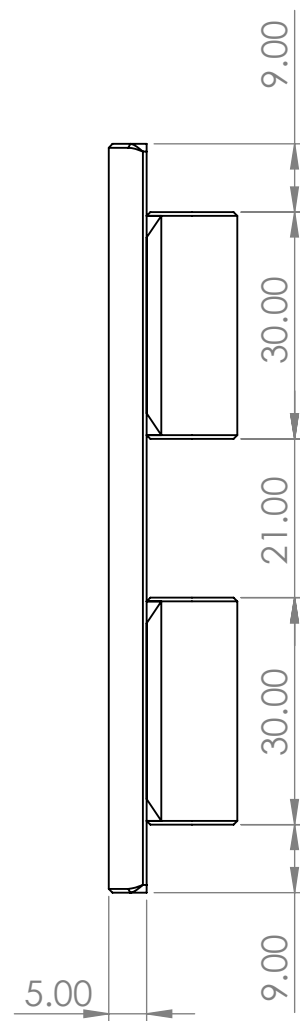
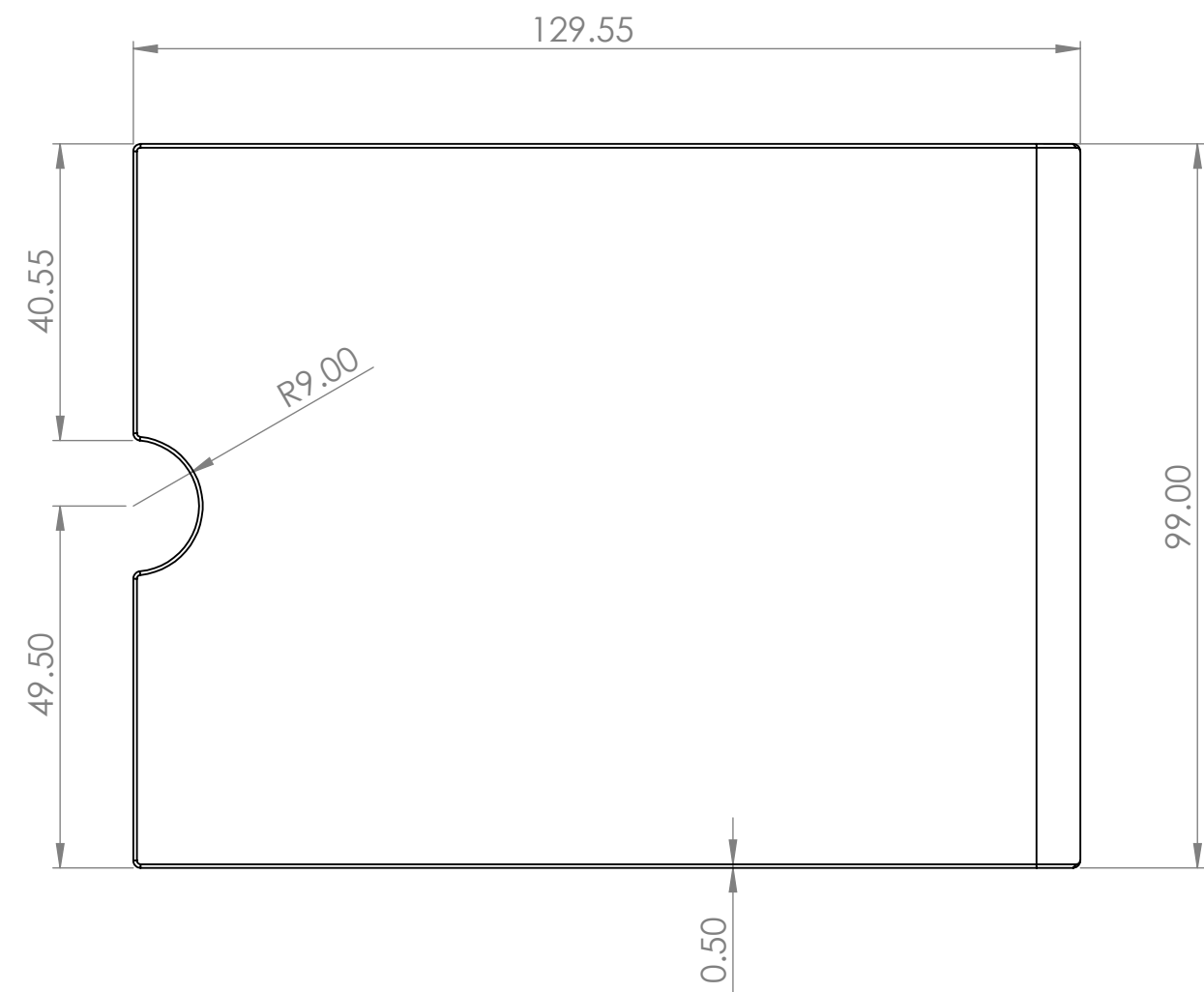
UNLESS OTHERWISE SPECIFIED: DIMENSIONS ARE IN MILLIMETERS SURFACE FINISH: TOLERANCES: LINEAR: ANGULAR:				FINISH:  2B Mill Finish		DEBURR AND BREAK SHARP EDGES		DO NOT SCALE DRAWING		REVISION			
								TITLE: <b>80 x 80 Socket Asy</b>					
DRAWN				NAME				SIGNATURE					
CHK'D				DATE									
APPV'D													
MFG													
Q.A								MATERIAL: 304L Stainless Steel		DWG NO. 80 x 80 Stainless Steel Socket Asy		A3	
								WEIGHT: 6255.01		SCALE: 1:5		SHEET 1 OF 6	

8 7 6 5 4 3 2 1

8 7 6 5 4 3 2 1

F

F



E

E

D

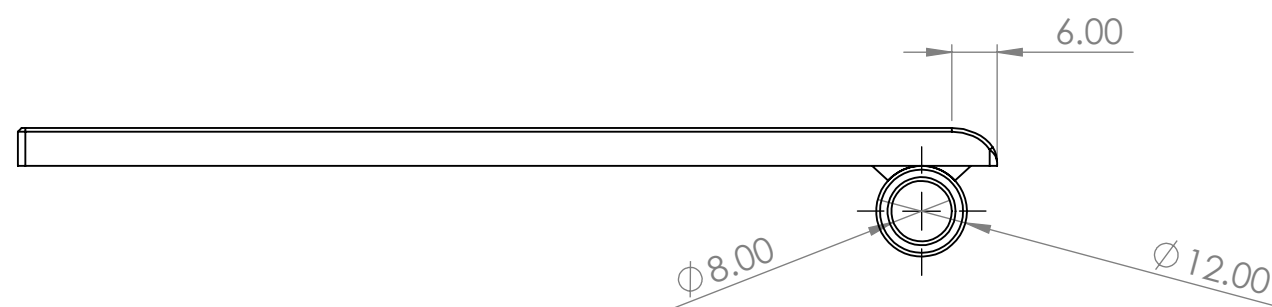
D

C

C

B

B



A

A

8 7 6 5 4 3 2 1

UNLESS OTHERWISE SPECIFIED: DIMENSIONS ARE IN MILLIMETERS SURFACE FINISH: TOLERANCES: LINEAR: ANGULAR:			FINISH:  Brushed Steel		DEBURR AND BREAK SHARP EDGES		DO NOT SCALE DRAWING		REVISION		
							TITLE: <b>80 x 80 Flip Lid</b>				
DRAWN			NAME		SIGNATURE		DATE		DWG NO. 80 x 80 Stainless Steel Socket Asy		
CHK'D									A3		
APPV'D											
MFG											
Q.A									SCALE: 1:1		
							MATERIAL: 304L Stainless Steel		SHEET 2 OF 6		
							WEIGHT: 6255.01				

8 7 6 5 4 3 2 1

F

F

E

E

D

D

C

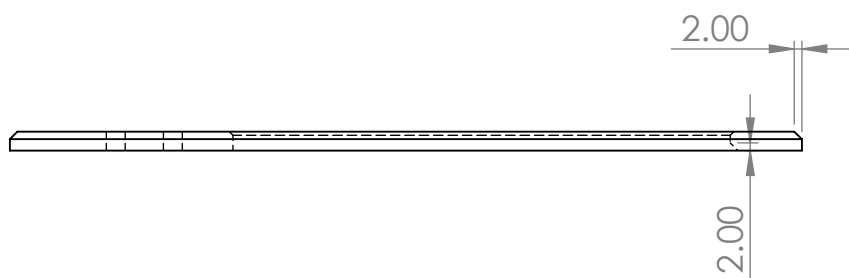
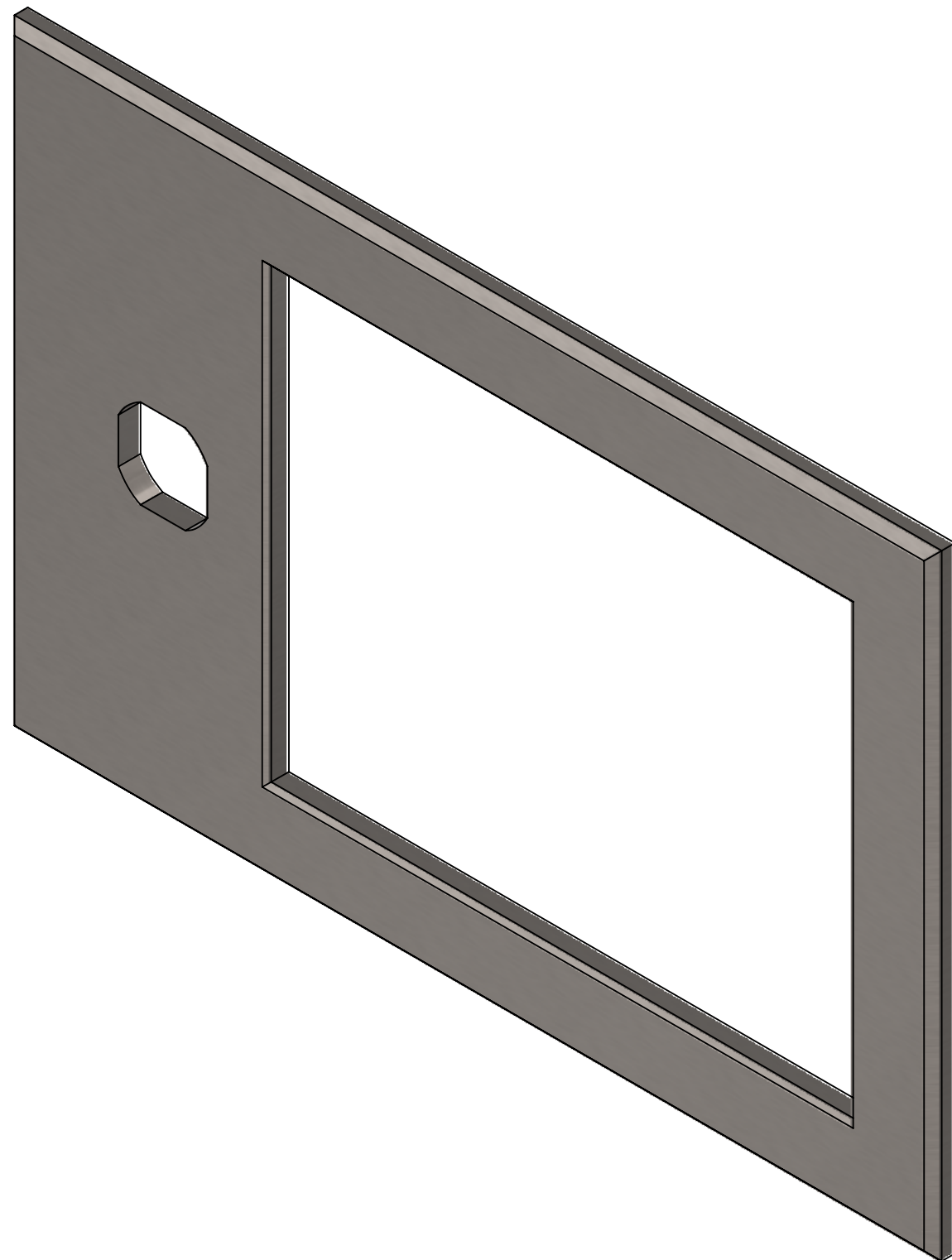
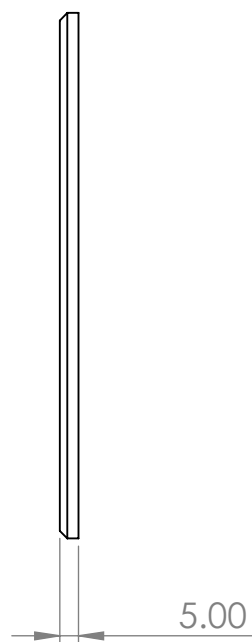
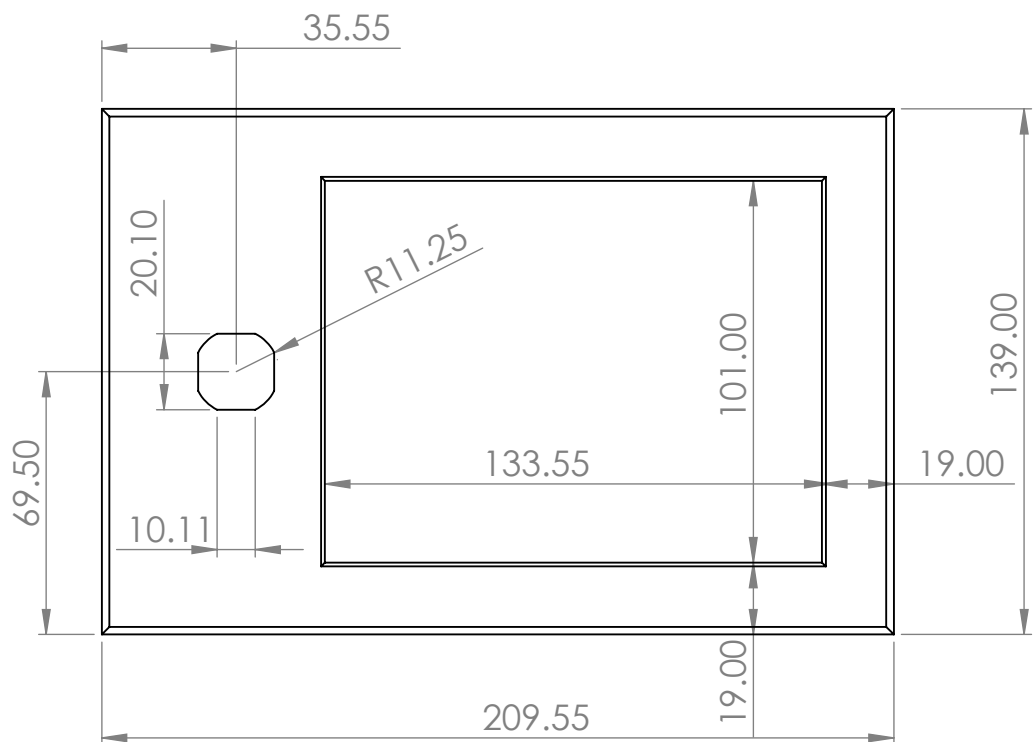
C

B

B

A

A



UNLESS OTHERWISE SPECIFIED: DIMENSIONS ARE IN MILLIMETERS SURFACE FINISH: TOLERANCES: LINEAR: ANGULAR:				FINISH:  Brushed Steel		DEBURR AND BREAK SHARP EDGES		DO NOT SCALE DRAWING		REVISION			
								TITLE: <b>80 x 80 Ground Plate</b>					
DRAWN				NAME				SIGNATURE		DATE		DWG NO. 80 x 80 Stainless Steel Socket Asy	
CHK'D												A3	
APPV'D													
MFG													
Q.A													
								MATERIAL: 304L Stainless Steel		SCALE: 1:2		SHEET 3 OF 6	
								WEIGHT: 6255.01					

8 7 6 5 4 3 2 1

8 7 6 5 4 3 2 1

F

F

E

E

D

D

C

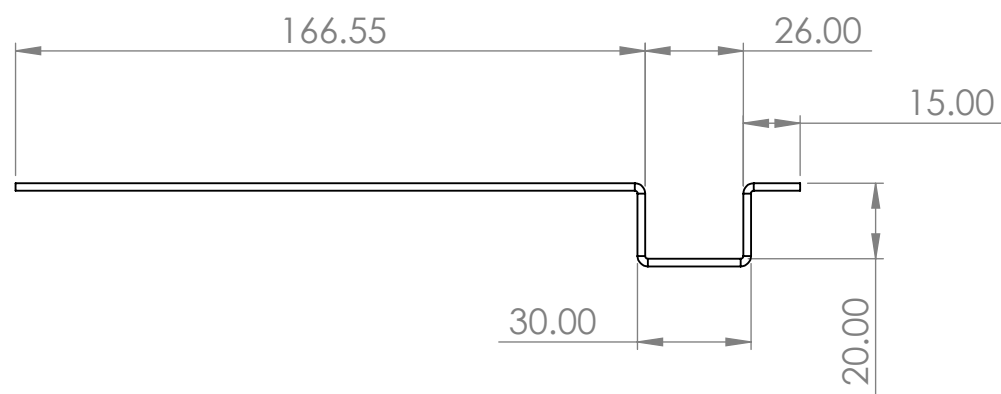
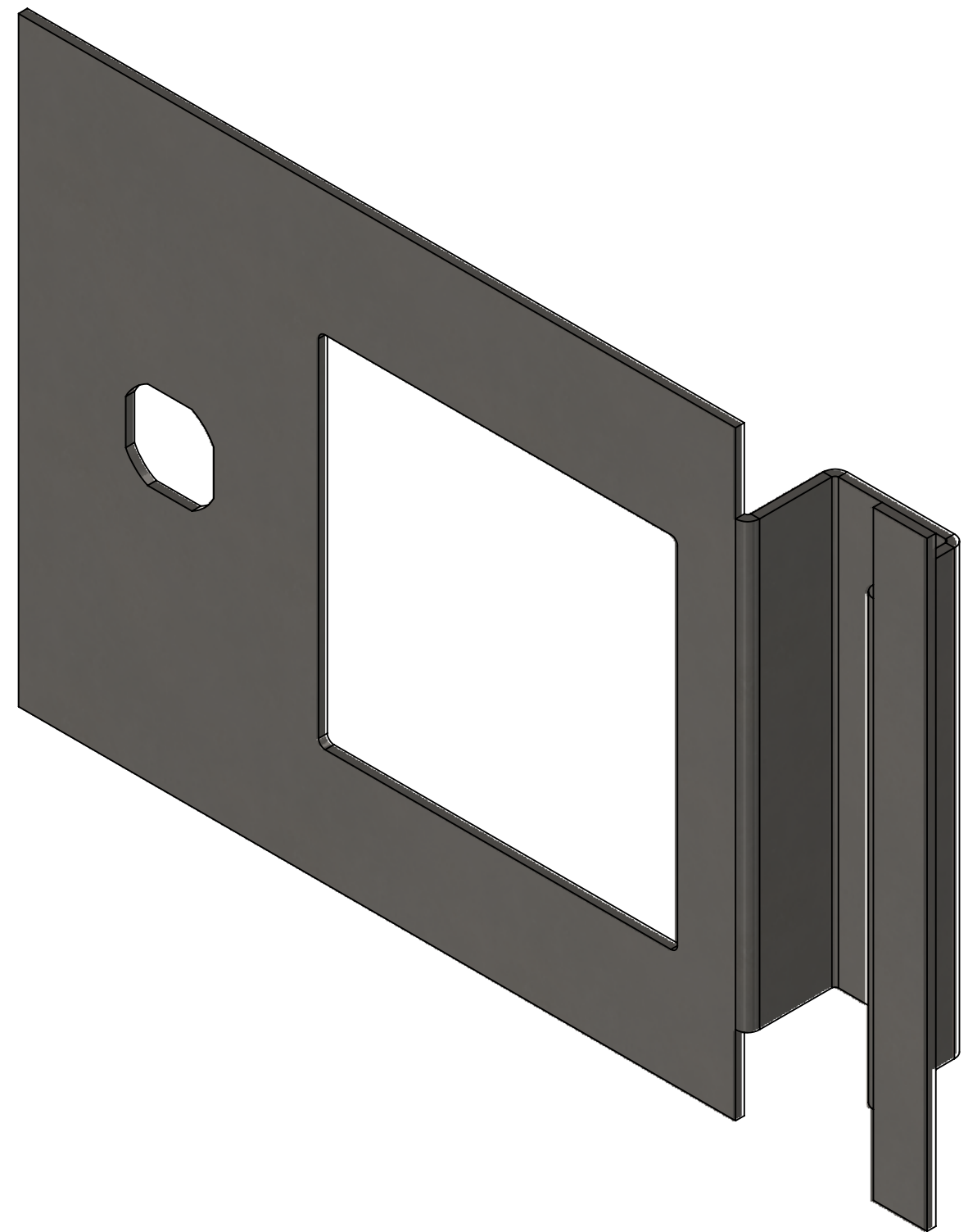
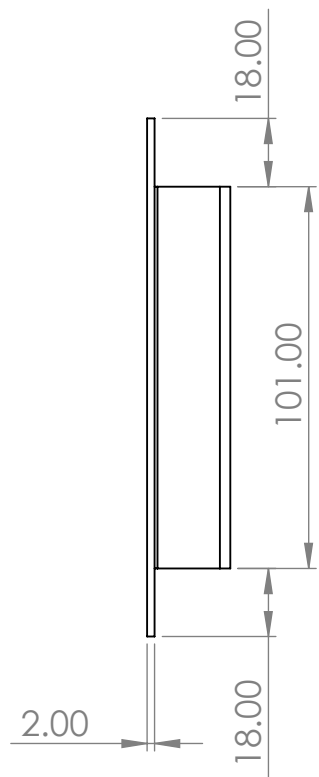
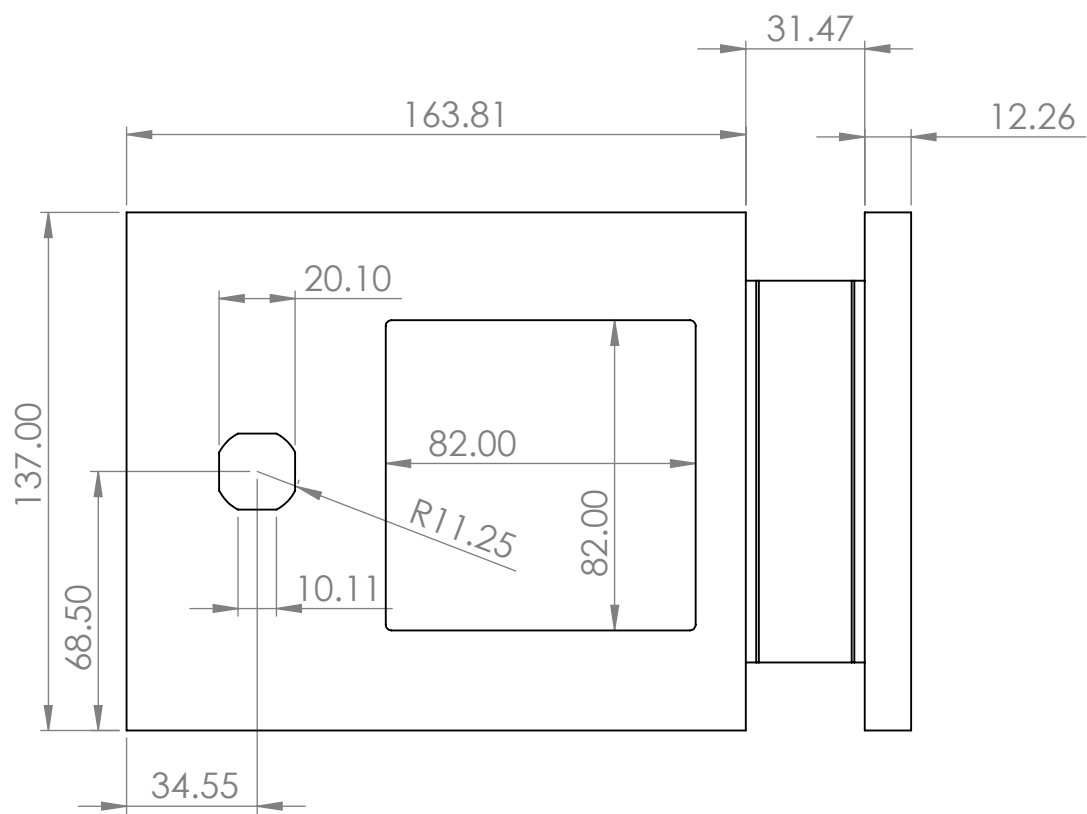
C

B

B

A

A



UNLESS OTHERWISE SPECIFIED: DIMENSIONS ARE IN MILLIMETERS SURFACE FINISH: TOLERANCES: LINEAR: ANGULAR:			FINISH:  2B Mill Finish		DEBURR AND BREAK SHARP EDGES		DO NOT SCALE DRAWING		REVISION				
							TITLE: <b>80 x 80 guide Plate</b>						
							MATERIAL: 304L Stainless Steel			DWG NO. 80 x 80 Stainless Steel Socket Asy		A3	
							WEIGHT: 6255.01		SCALE: 1:2		SHEET 4 OF 6		

8 7 6 5 4 3 2 1

8 7 6 5 4 3 2 1

F

F

E

E

D

D

C

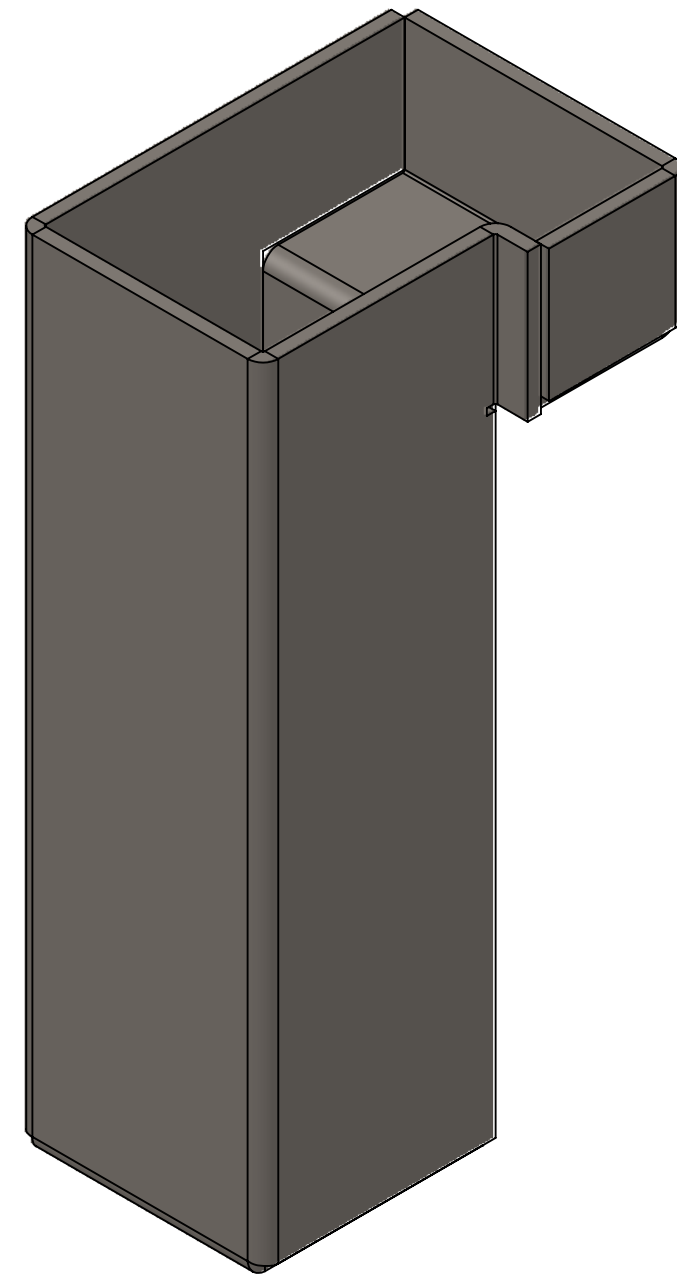
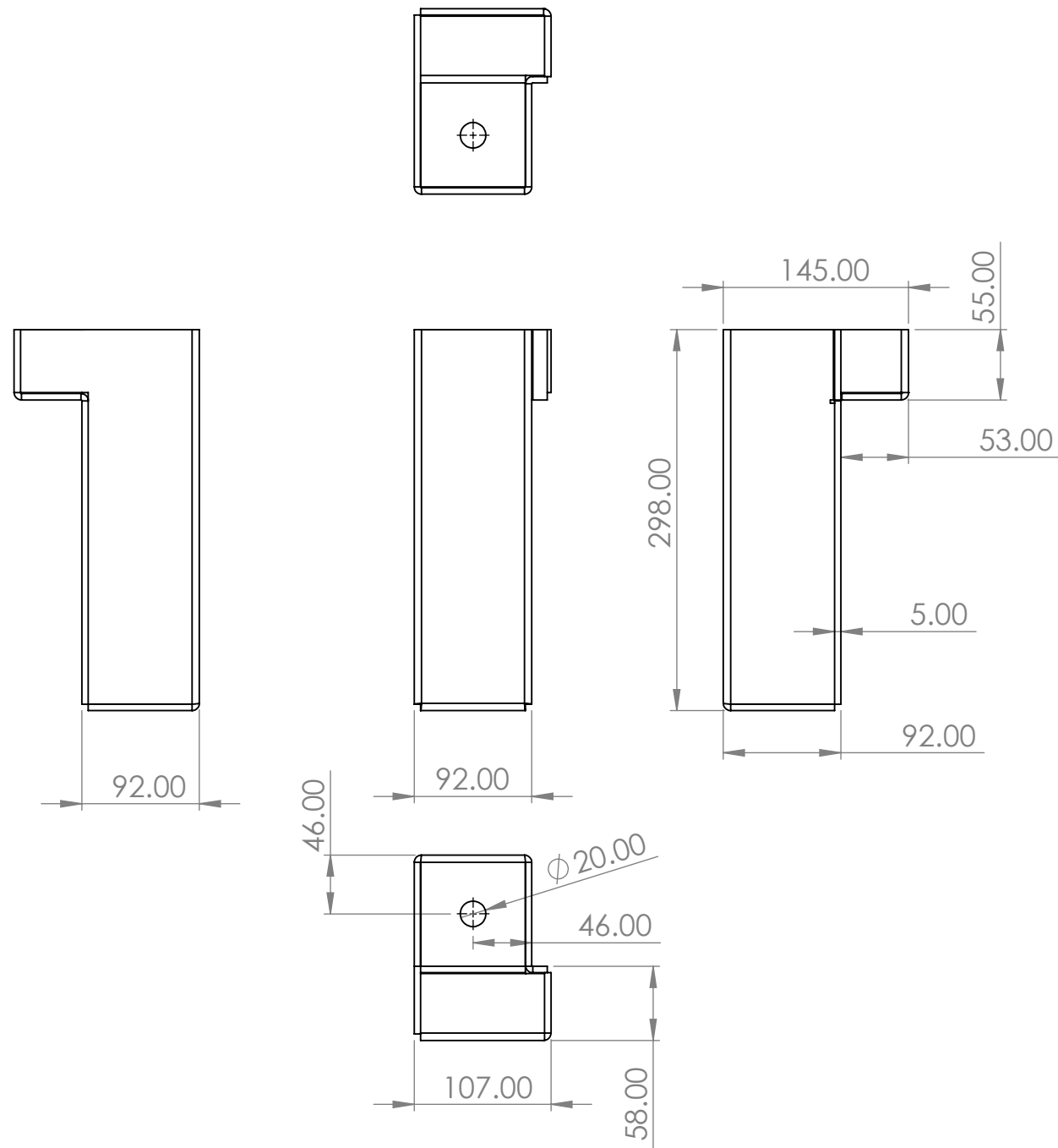
C

B

B

A

A



UNLESS OTHERWISE SPECIFIED: DIMENSIONS ARE IN MILLIMETERS SURFACE FINISH: TOLERANCES: LINEAR: ANGULAR:				FINISH:  2B Mill Finish		DEBURR AND BREAK SHARP EDGES		DO NOT SCALE DRAWING		REVISION			
								TITLE:  <b>80 x 80 Socket</b>					
DRAWN				NAME				SIGNATURE		DATE		DWG NO. 80 x 80 Stainless Steel Socket Asy	
CHK'D												A3	
APPV'D													
MFG													
Q.A													
								MATERIAL: 304L Stainless Steel		SCALE:1:5		SHEET 5 OF 6	
								WEIGHT: 6255.01					

8 7 6 5 4 3 2 1

8 7 6 5 4 3 2 1

F

F

E

E

D

D

C

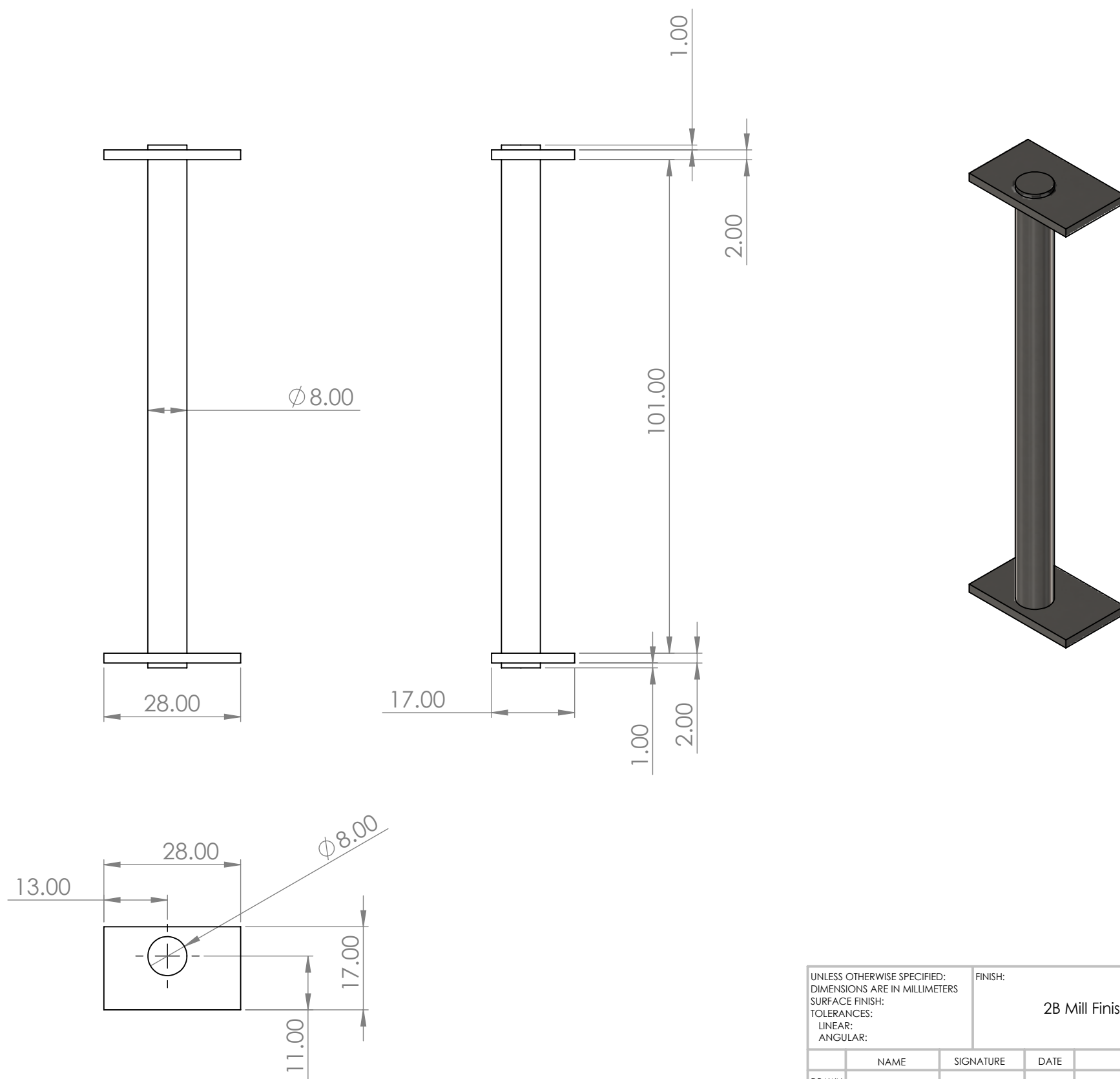
C

B

B

A

A



UNLESS OTHERWISE SPECIFIED: DIMENSIONS ARE IN MILLIMETERS SURFACE FINISH: TOLERANCES: LINEAR: ANGULAR:				FINISH:  2B Mill Finish		DEBURR AND BREAK SHARP EDGES		DO NOT SCALE DRAWING		REVISION	
DRAWN				NAME		SIGNATURE		DATE		TITLE:  80 x 80 Hinge	
CHK'D										MATERIAL:  304L stainless Steel	
APPV'D										DWG NO. 80 x 80 Stainless Steel Socket Asy	
MFG										A3	
Q.A										SCALE: 1:1	
										SHEET 6 OF 6	
										WEIGHT: 6255.01	

8 7 6 5 4 3 2 1