

8 7 6 5 4 3 2 1

F

F

E

E

D

D

C

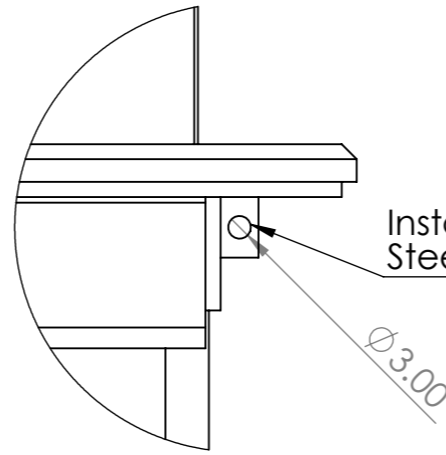
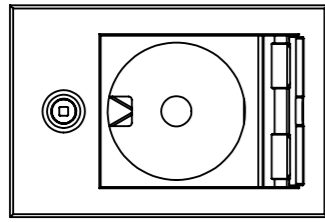
C

B

B

A

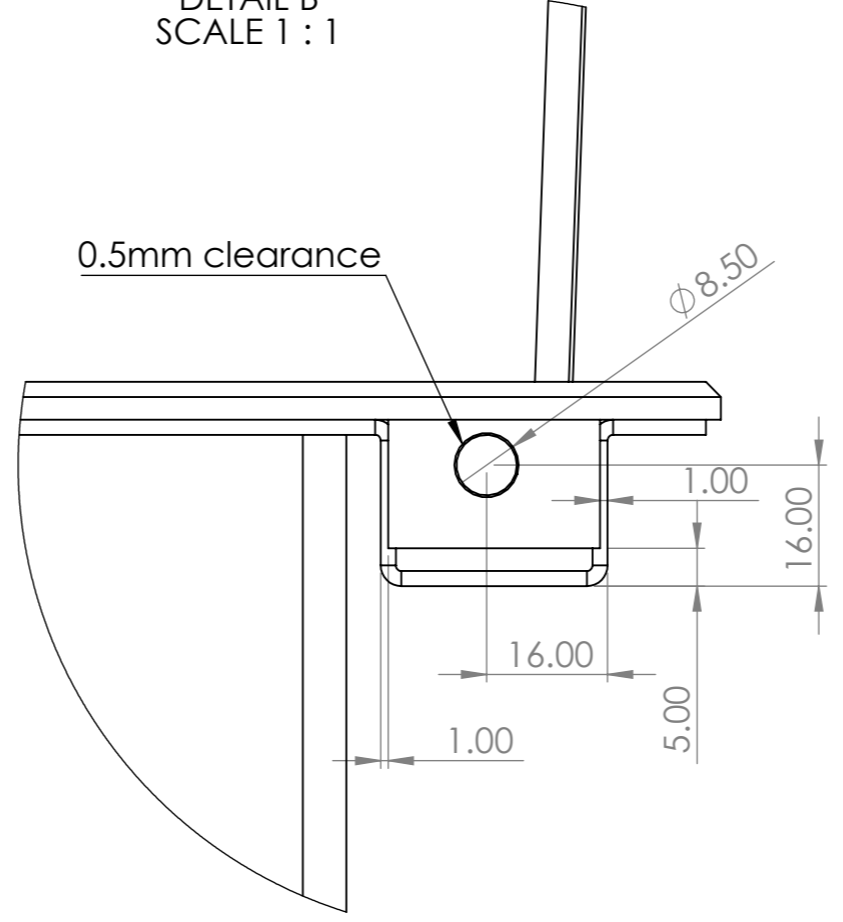
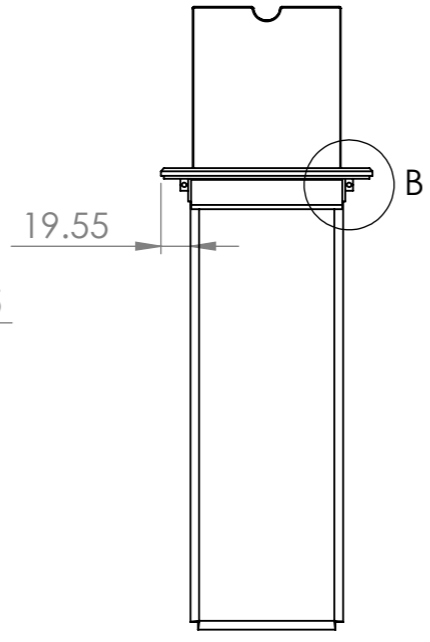
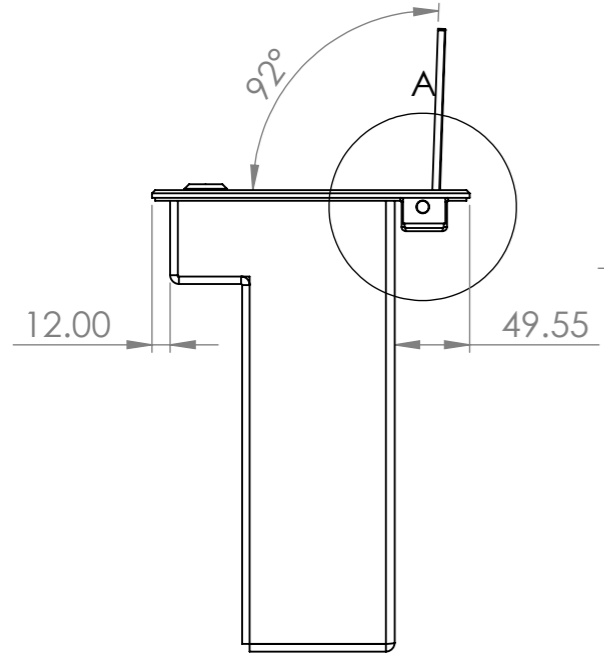
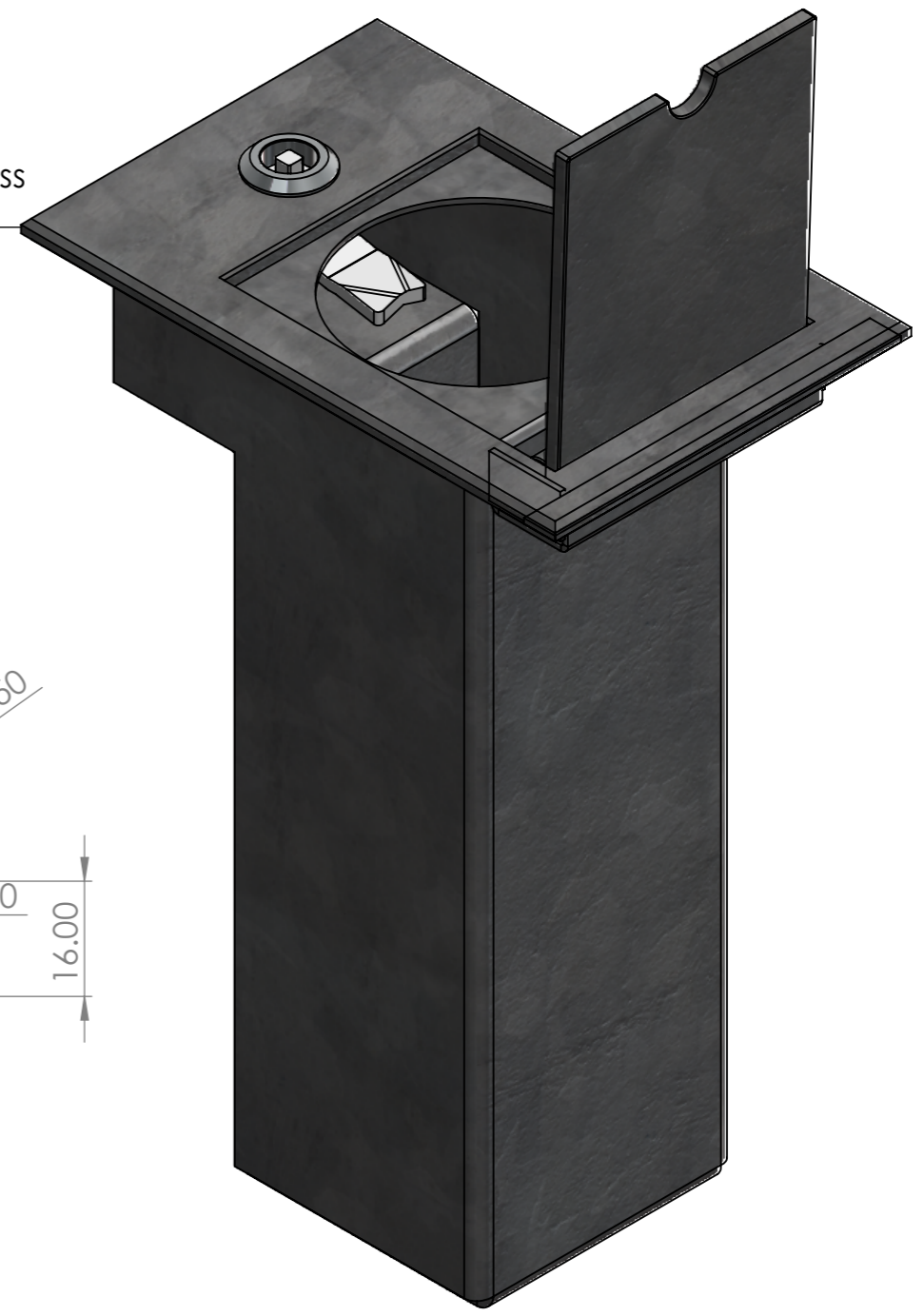
A



DETAIL B
SCALE 1 : 1

Install 2noStainless
Steel Spit Pins

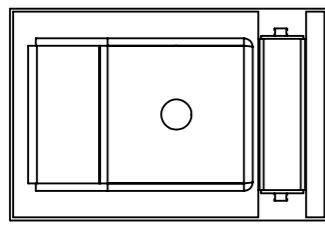
Ø3.00




DETAIL A
SCALE 1 : 1

0.5mm clearance

Ø8.50



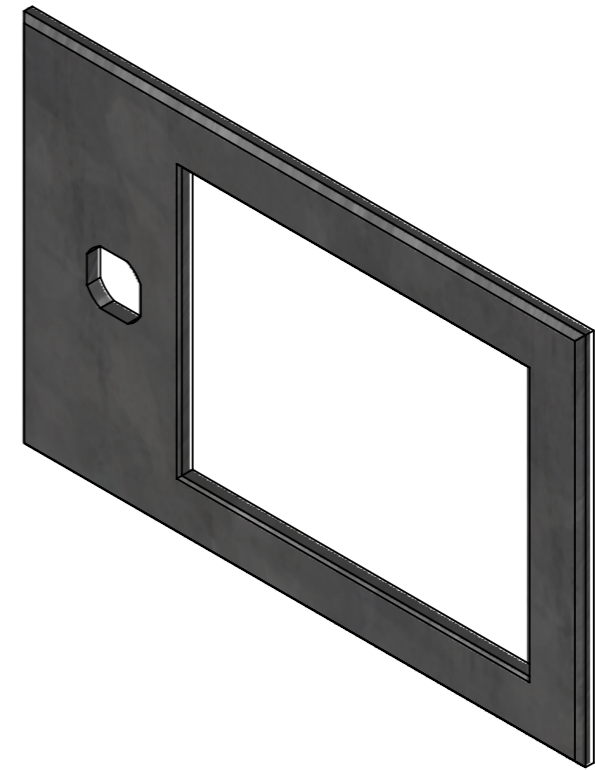
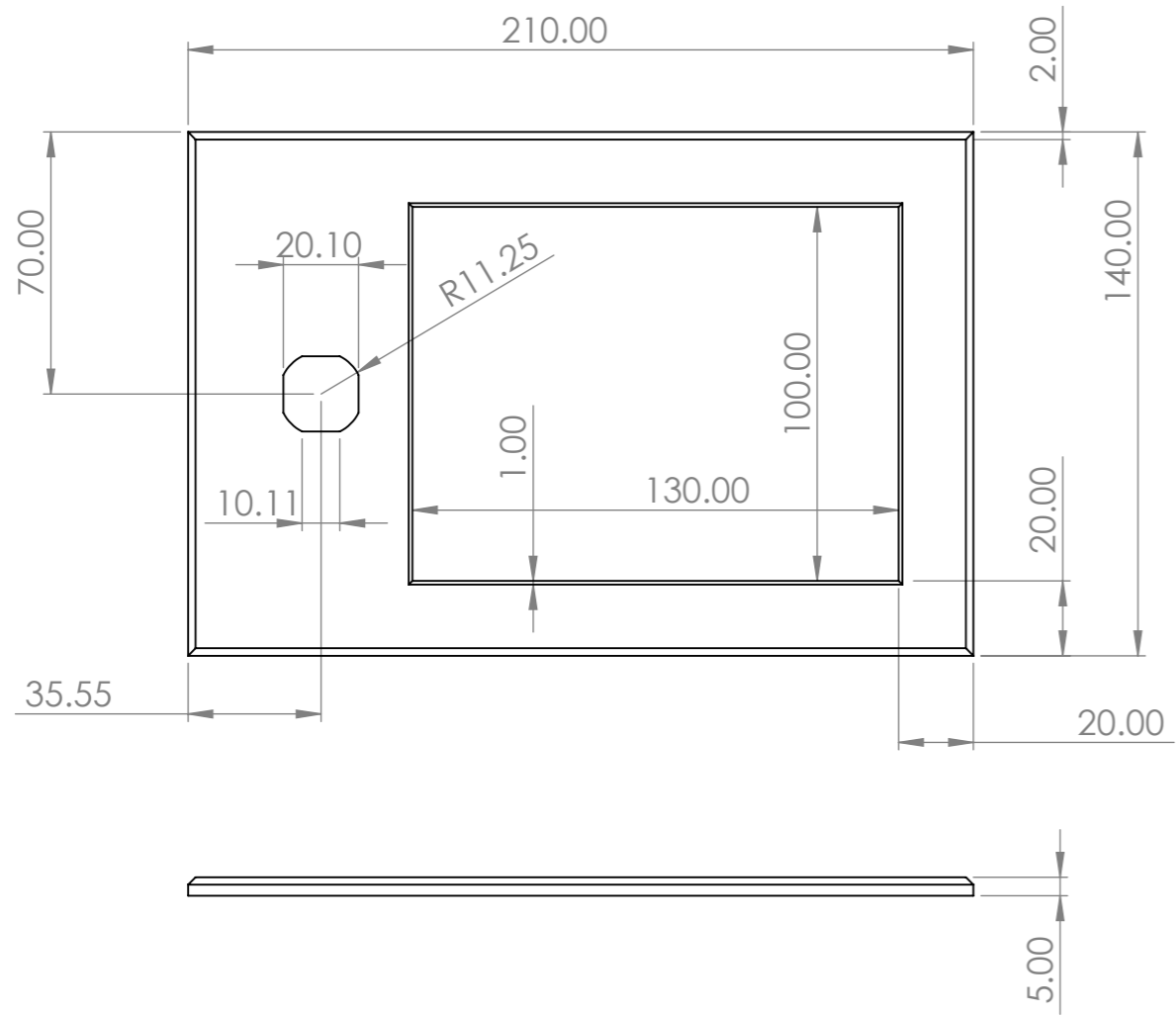
UNLESS OTHERWISE SPECIFIED: DIMENSIONS ARE IN MILLIMETERS			FINISH:		DEBURR AND BREAK SHARP EDGES		DO NOT SCALE DRAWING		REVISION	
SURFACE FINISH:										
TOLERANCES:									TITLE:	
LINEAR:									88.9mm Galv Bollard Socket	
ANGULAR:									DWG NO.	
									88.9 Galv Socket Assembly	
DRAWN			NAME		SIGNATURE		DATE		A3	
CHK'D										
APPV'D										
MFG										
Q.A										
					MATERIAL:				SCALE:1:5	
					Galvanized Steel				SHEET 1 OF 6	
					WEIGHT: 6524.58					

8 7 6 5 4 3 2 1

8 7 6 5 4 3 2 1

F
E
D
C
B
A

F
E
D
C
B
A



UNLESS OTHERWISE SPECIFIED: DIMENSIONS ARE IN MILLIMETERS SURFACE FINISH: TOLERANCES: LINEAR: ANGULAR:				FINISH:		DEBURR AND BREAK SHARP EDGES		DO NOT SCALE DRAWING		REVISION	
								TITLE: 88.9mm Galv Ground Plate			
								DWG NO. 88.9 Galv Socket Assembly		A3	
								MATERIAL: Galvanized Steel		SCALE: 1:2	
								WEIGHT: 6524.58		SHEET 2 OF 6	
NAME	SIGNATURE	DATE									
DRAWN											
CHK'D											
APPV'D											
MFG											
Q.A											

8 7 6 5 4 3 2 1

8 7 6 5 4 3 2 1

F

F

E

E

D

D

C

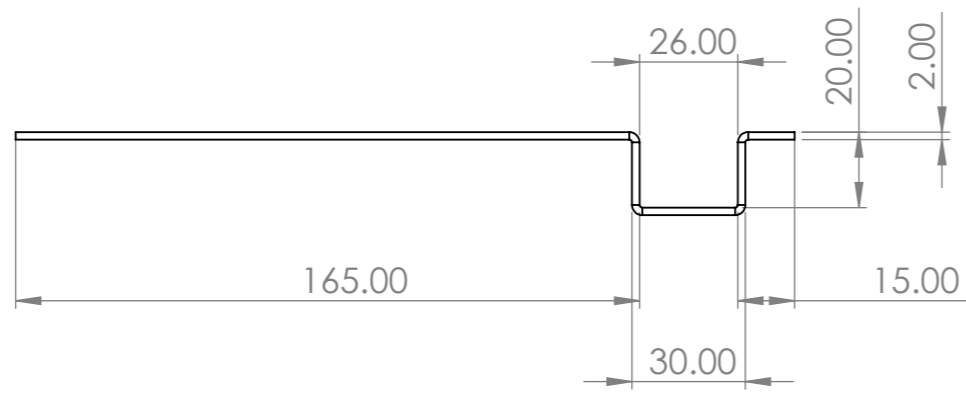
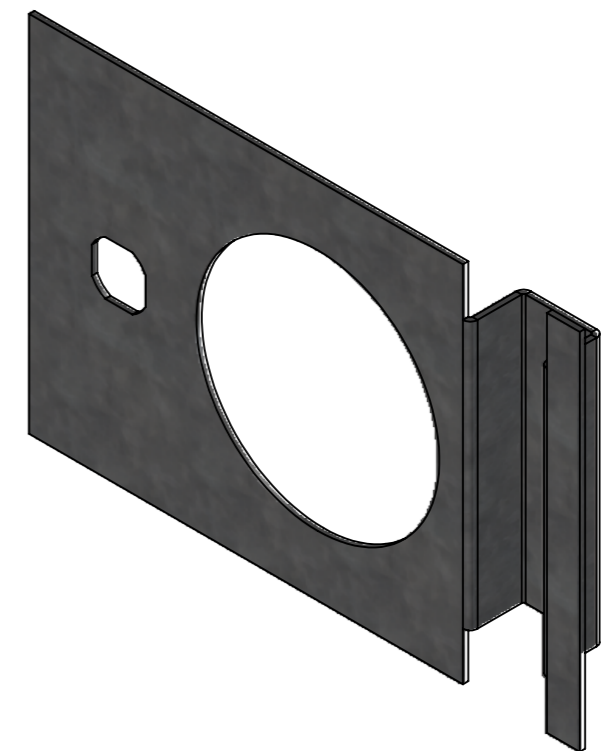
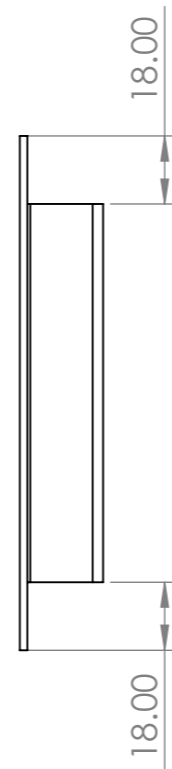
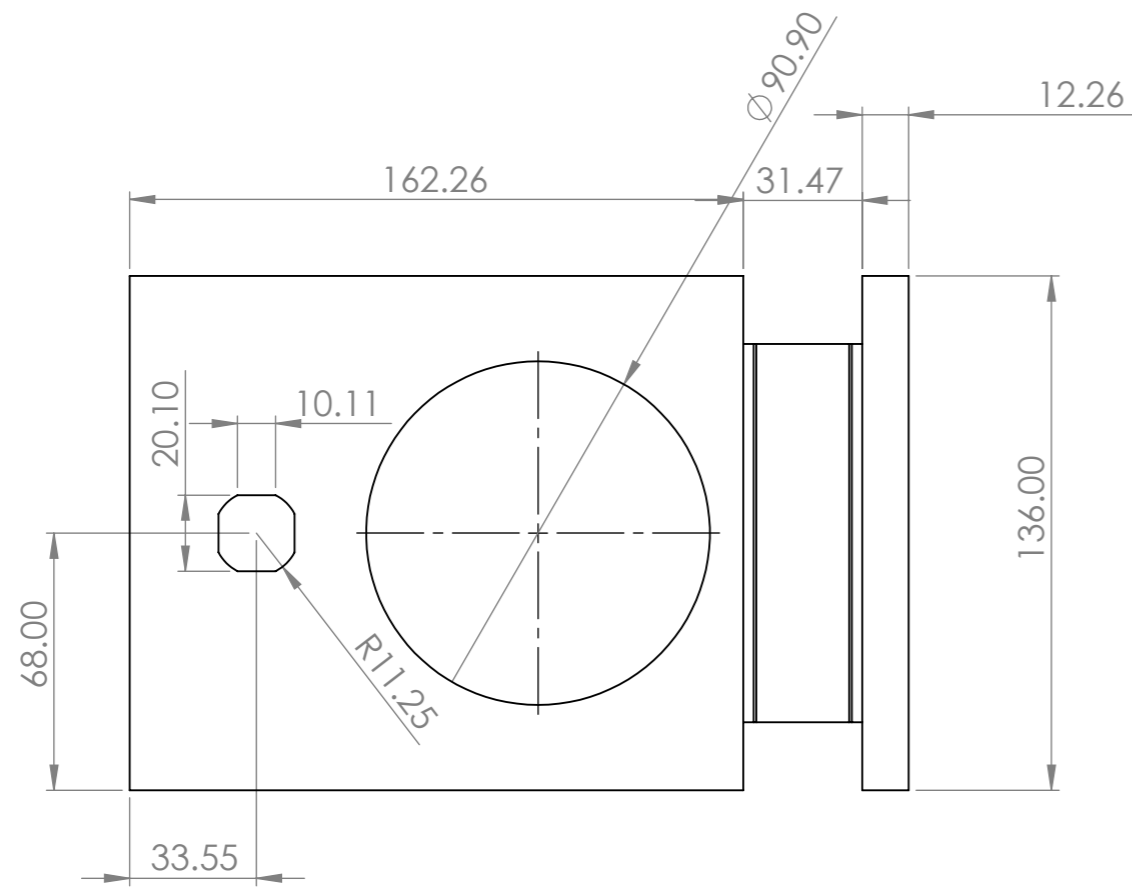
C

B

B

A

A



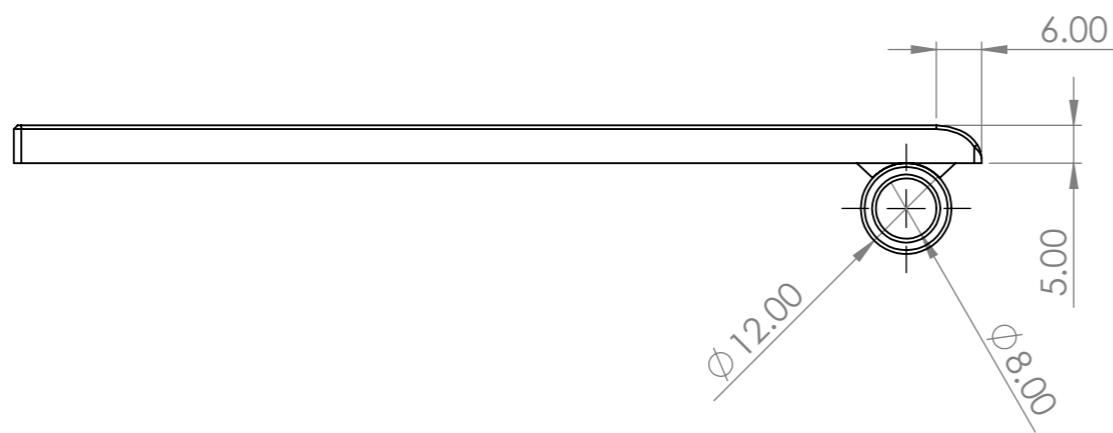
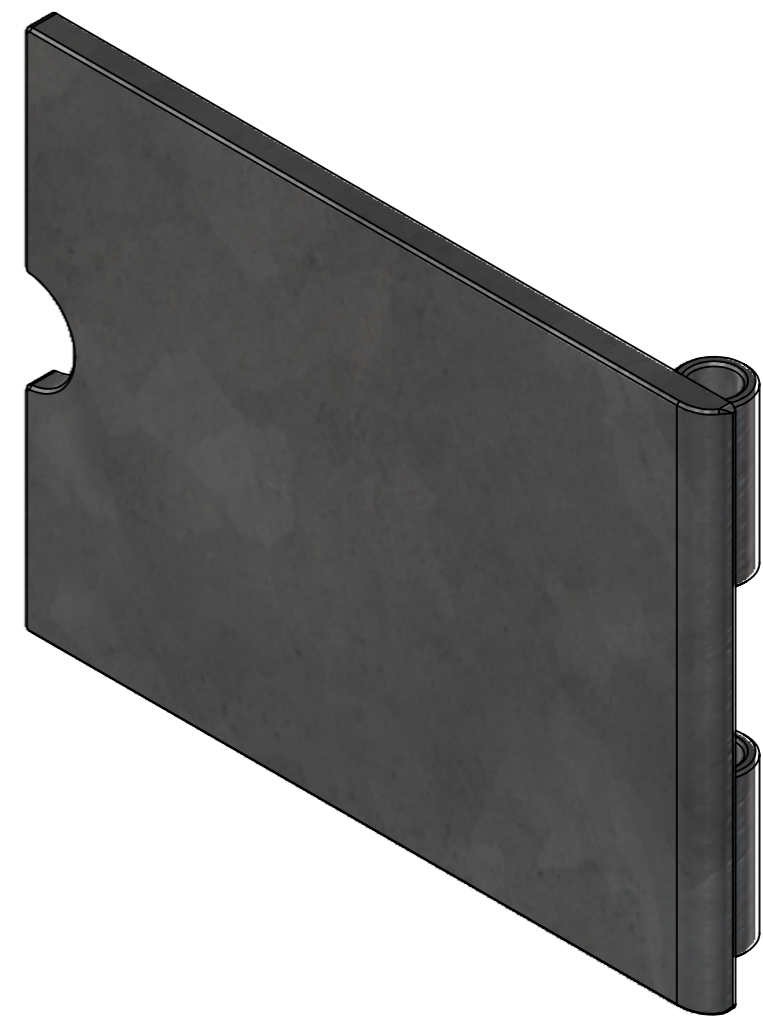
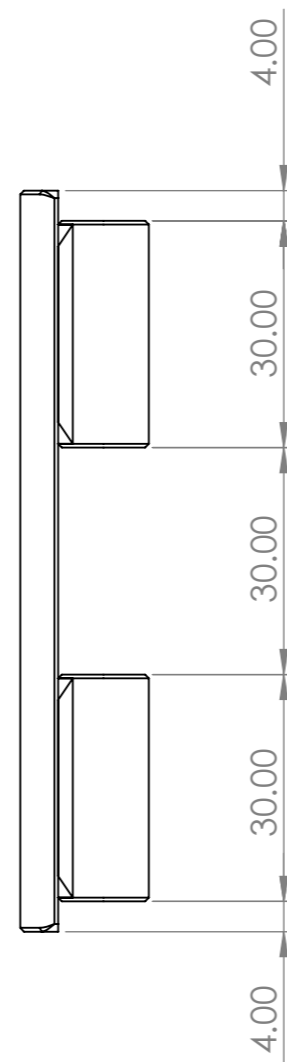
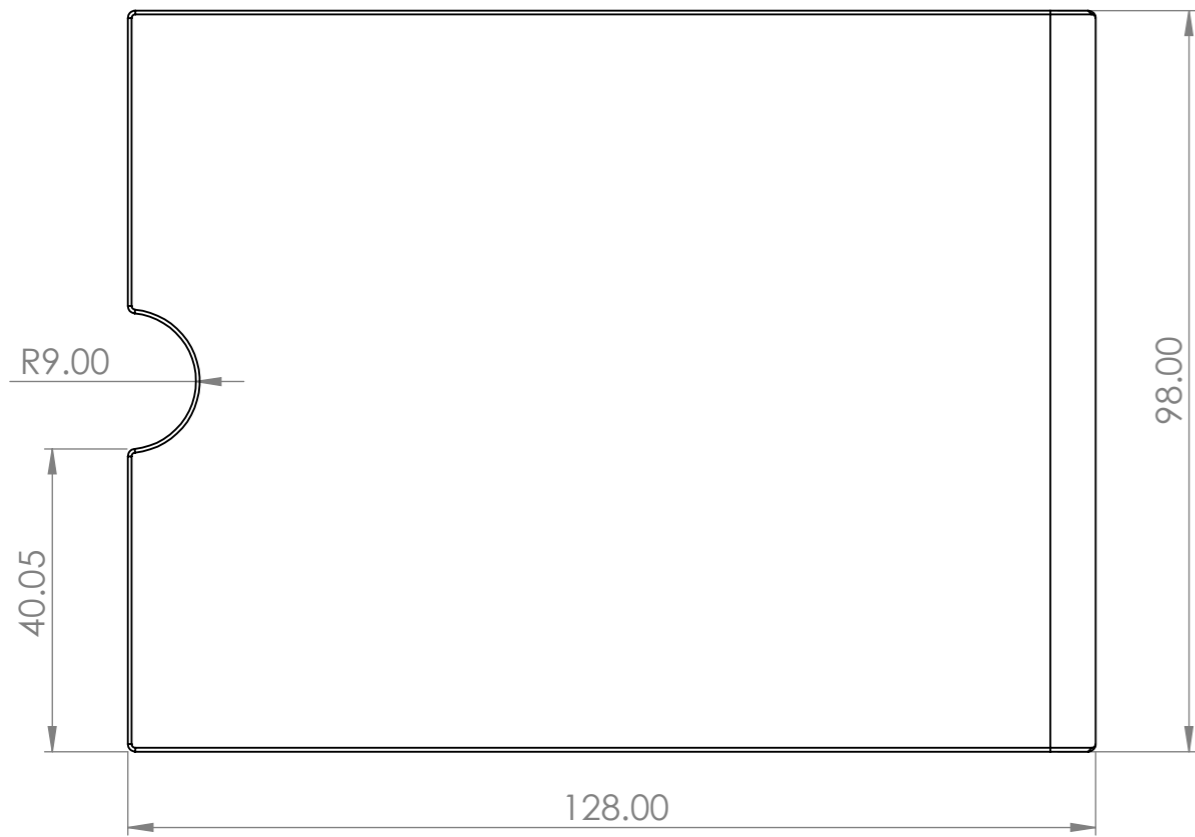
UNLESS OTHERWISE SPECIFIED: DIMENSIONS ARE IN MILLIMETERS SURFACE FINISH: TOLERANCES: LINEAR: ANGULAR:				FINISH:		DEBURR AND BREAK SHARP EDGES		DO NOT SCALE DRAWING		REVISION			
								TITLE: 88.9mm Galv Guide Plate					
								DWG NO. 88.9 Galv Socket Assembly		A3			
								WEIGHT: 6524.58		SCALE: 1:2		SHEET 3 OF 6	
DRAWN		NAME		SIGNATURE		DATE							
CHK'D													
APPV'D													
MFG								MATERIAL: Galvanized Steel					
Q.A													

8 7 6 5 4 3 2 1

8 7 6 5 4 3 2 1

F
E
D
C
B
A

F
E
D
C
B
A



UNLESS OTHERWISE SPECIFIED: DIMENSIONS ARE IN MILLIMETERS SURFACE FINISH: TOLERANCES: LINEAR: ANGULAR:			FINISH:		DEBURR AND BREAK SHARP EDGES		DO NOT SCALE DRAWING		REVISION		
							TITLE: 88.9mm Galv Flip Lid				
DRAWN			NAME		SIGNATURE		DATE		DWG NO. 88.9 Galv Socket Assembly		
CHK'D									A3		
APPV'D									SCALE:1:1		
MFG									SHEET 4 OF 6		
Q.A							MATERIAL: Galvanized Steel		WEIGHT: 6524.58		

8 7 6 5 4 3 2 1

8 7 6 5 4 3 2 1

F

F

E

E

D

D

C

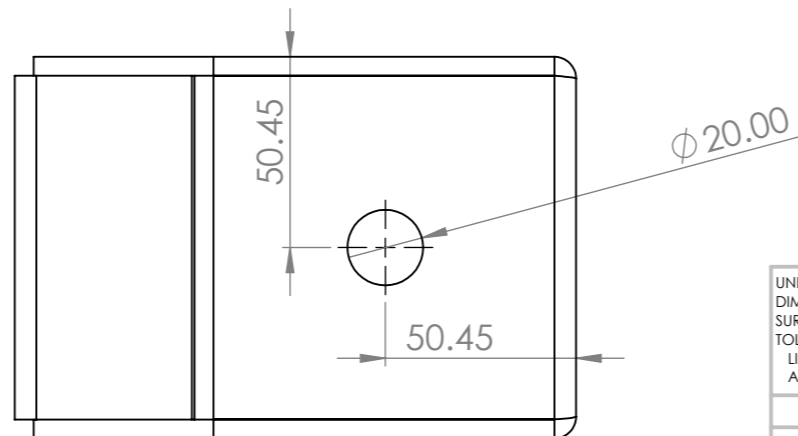
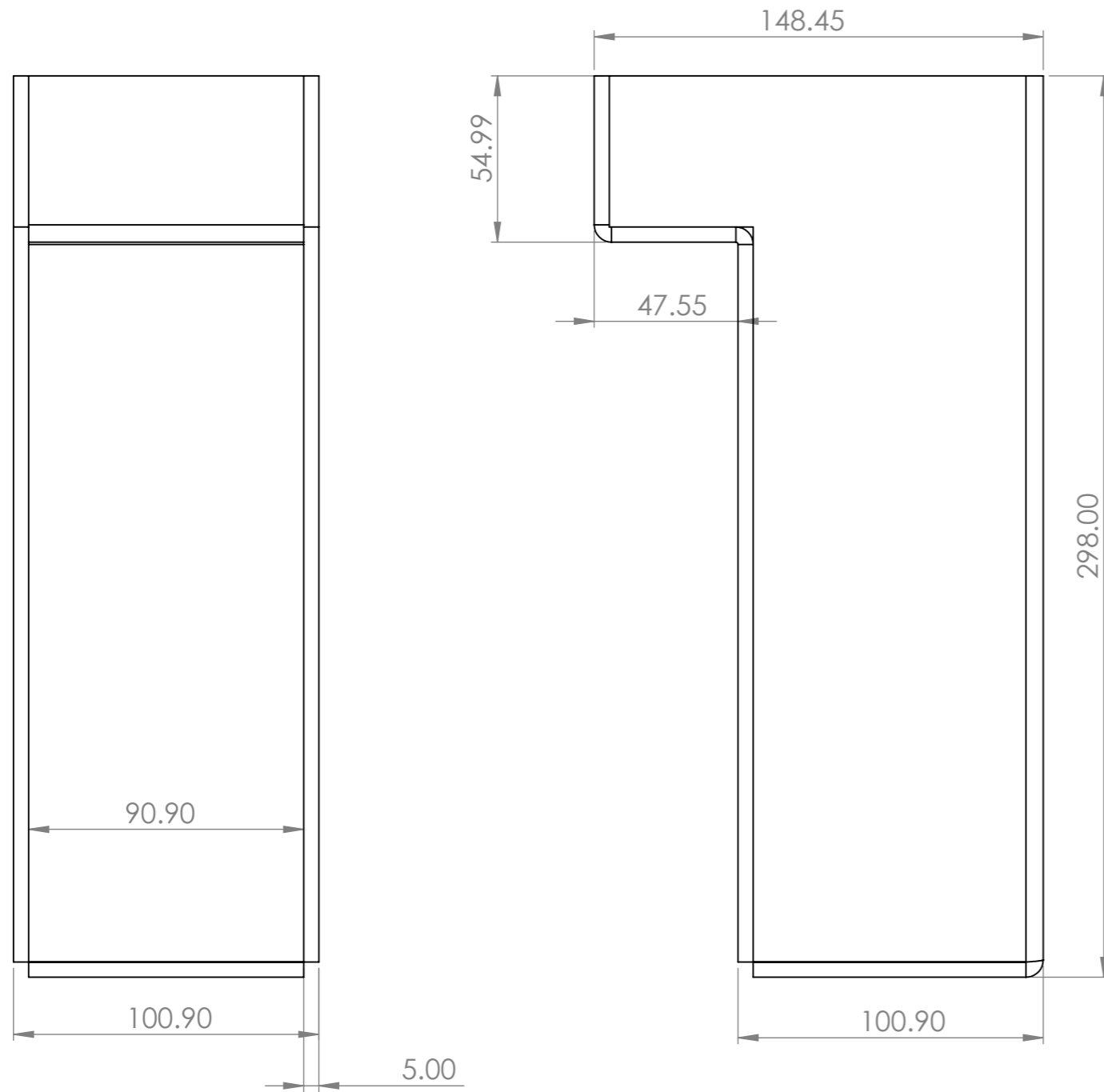
C


B

B

A

A



UNLESS OTHERWISE SPECIFIED: DIMENSIONS ARE IN MILLIMETERS			FINISH:		DEBURR AND BREAK SHARP EDGES		DO NOT SCALE DRAWING		REVISION	
SURFACE FINISH:										
TOLERANCES:									TITLE:	
LINEAR:									88.9mm Galv Bollard Socket	
ANGULAR:									88.9 Galv Socket Assembly	
DRAWN			NAME		SIGNATURE		DATE		DWG NO.	
CHK'D									88.9 Galv Socket Assembly	
APPV'D									A3	
MFG									SCALE:1:5	
Q.A							MATERIAL:		SHEET 5 OF 6	
							Galvanized Steel			
							WEIGHT: 6524.58			

8 7 6 5 4 3 2 1

F

F

E

E

D

D

C

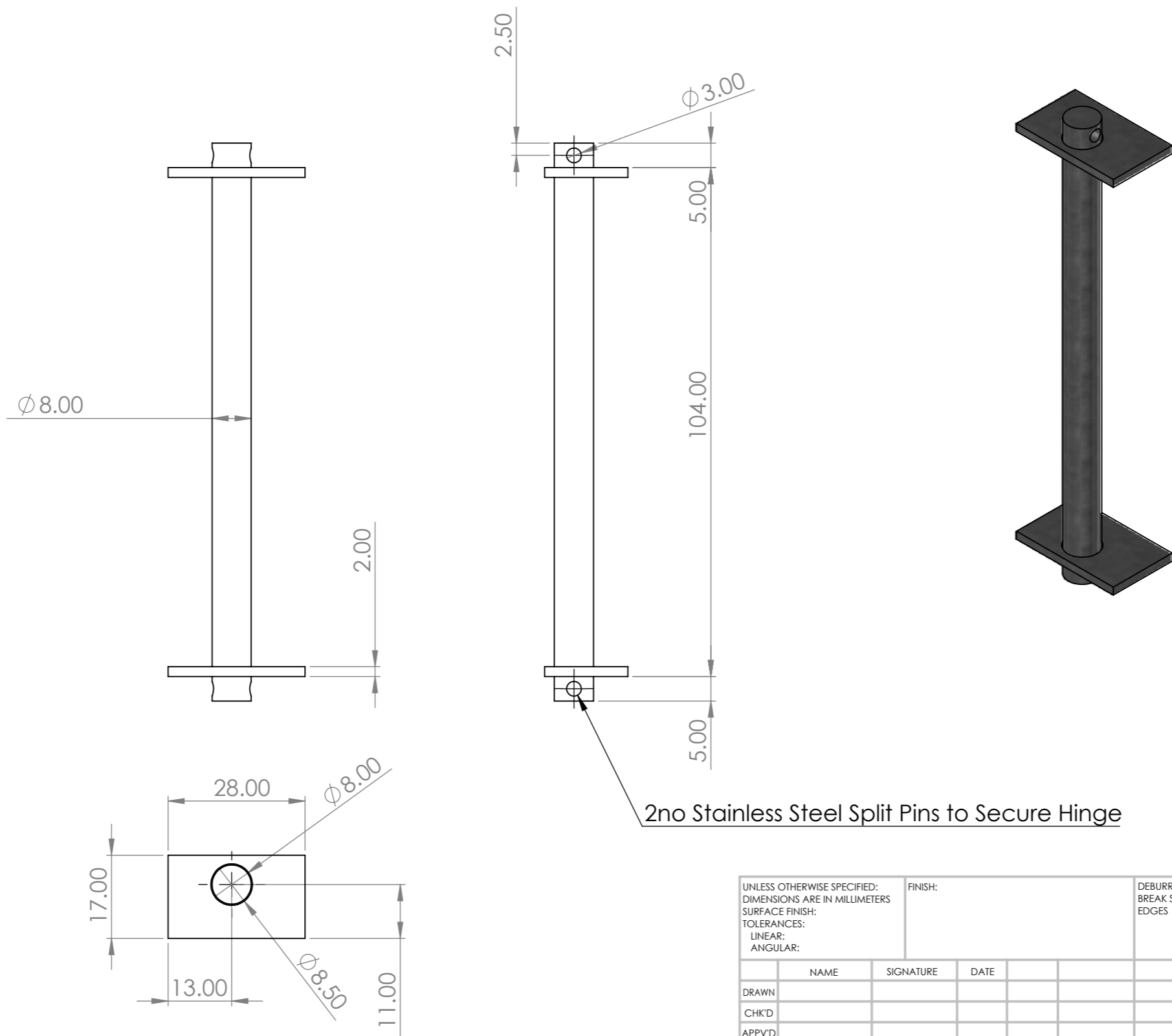
C

B

B

A

A



UNLESS OTHERWISE SPECIFIED: DIMENSIONS ARE IN MILLIMETERS			FINISH:		DEBURR AND BREAK SHARP EDGES		DO NOT SCALE DRAWING		REVISION	
SURFACE FINISH:									TITLE: <h1>88.9mm Galvanized Hinge</h1>	
TOLERANCES:										
LINEAR:							DWG NO.		A3	
ANGULAR:							88.9 Galv Socket Assembly			
DRAWN			NAME		SIGNATURE		DATE			
CHK'D										
APPV'D										
MFG							MATERIAL:			
Q.A							Galvanized Steel			
							WEIGHT: 6524.58		SCALE: 1:1	
									SHEET 6 OF 6	

8 7 6 5 4 3 2 1