

8

7

6

5

4

3

2

1

F

F

E

E

D

D

C

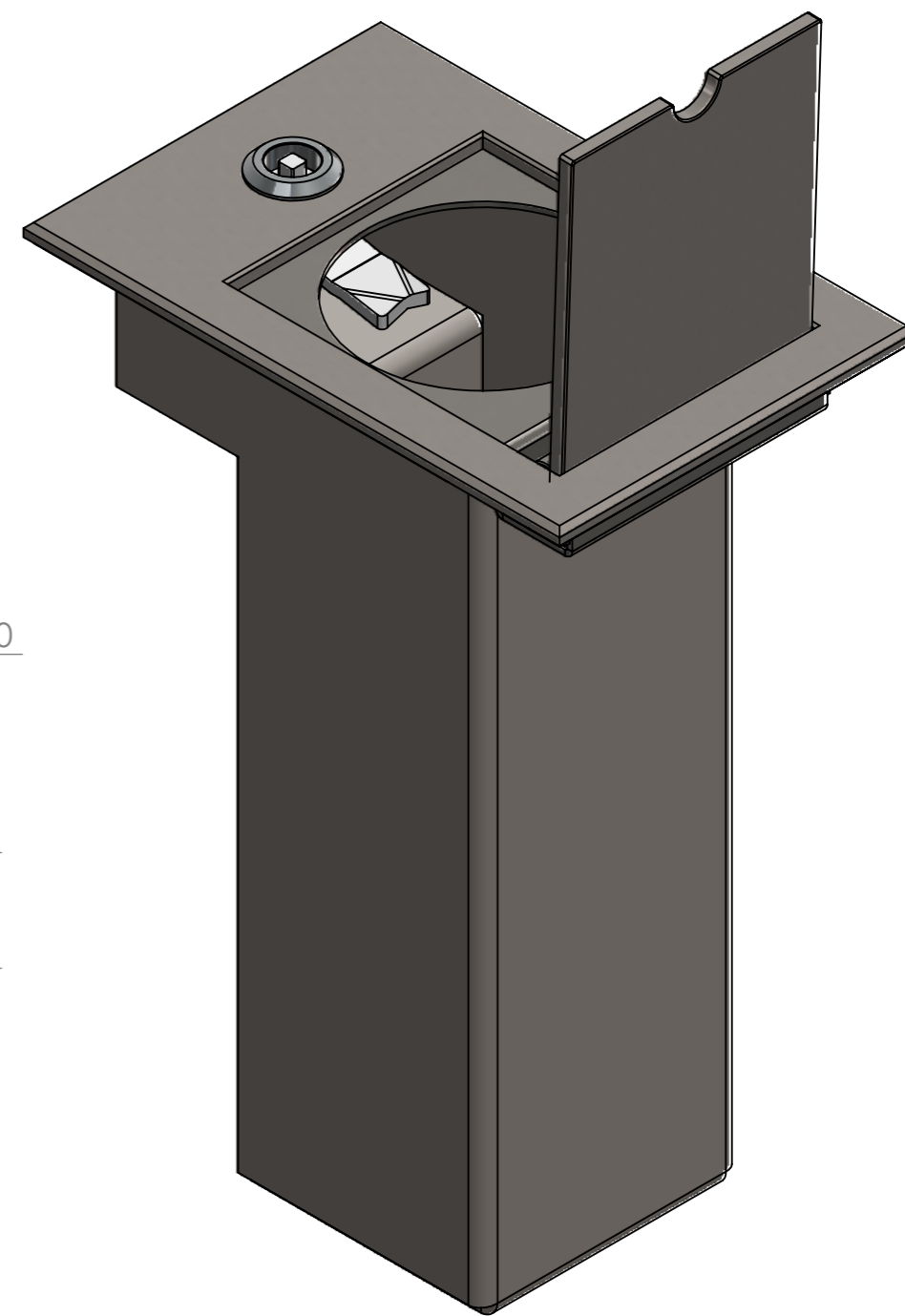
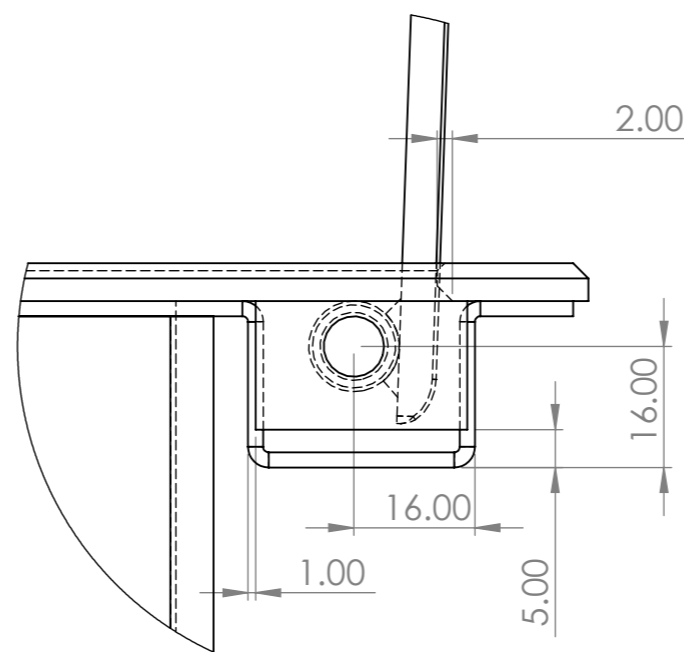
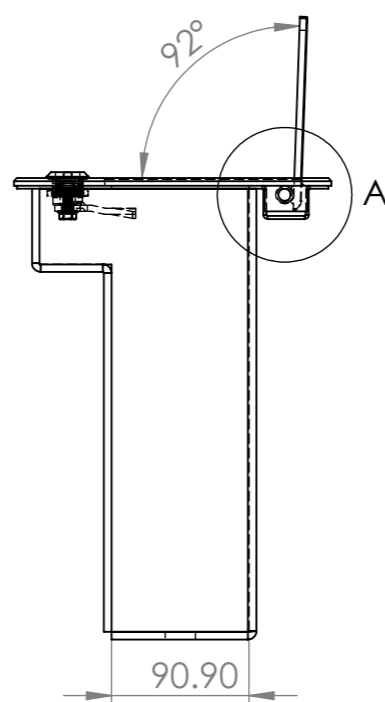
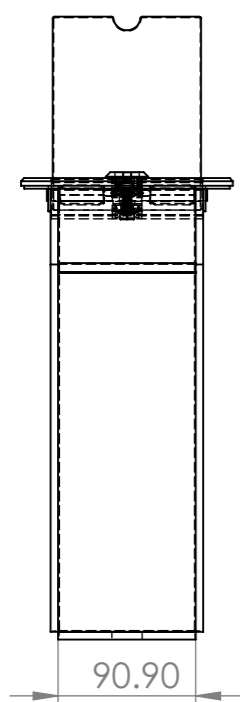
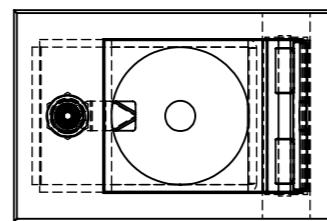
C

B

B

A

A



DETAIL A
SCALE 1 : 1

| | | | | | | | | | | | | |
|---|--|------|---------|-----------|------------------------------------|------|--------------------------------|--|-----------|--|--------------|--|
| UNLESS OTHERWISE SPECIFIED: DIMENSIONS ARE IN MILLIMETERS SURFACE FINISH: TOLERANCES: LINEAR: ANGULAR: | | | FINISH: | | DEBURR AND BREAK SHARP EDGES | | DO NOT SCALE DRAWING | | REVISION | | | |
| | | | | | | | | | | | | |
| | | | | | | | TITLE: | | | | | |
| | | | | | | | DWG NO. 88.9 socket Asy | | | | | |
| | | | | | | | A3 | | | | | |
| | | | | | | | MATERIAL: Stainless Steel | | SCALE:1:5 | | SHEET 1 OF 6 | |
| | | | | | | | WEIGHT: 6630.04 | | | | | |
| DRAWN | | NAME | | SIGNATURE | | DATE | | | | | | |
| CHK'D | | | | | | | | | | | | |
| APPV'D | | | | | | | | | | | | |
| MFG | | | | | | | | | | | | |
| Q.A | | | | | | | | | | | | |

8

7

6

5

4

3

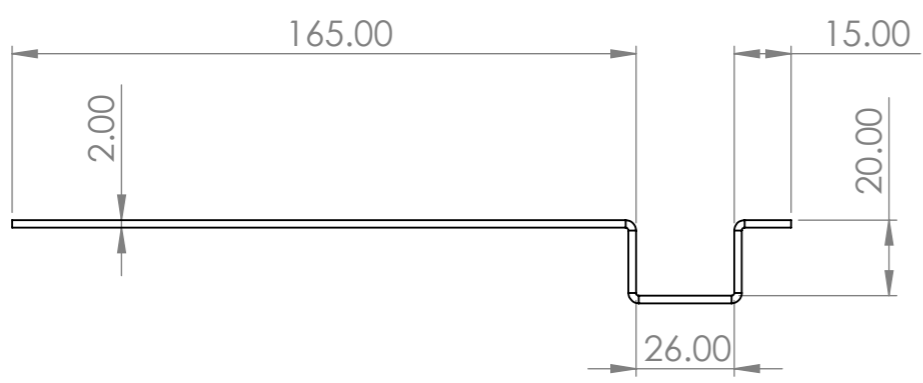
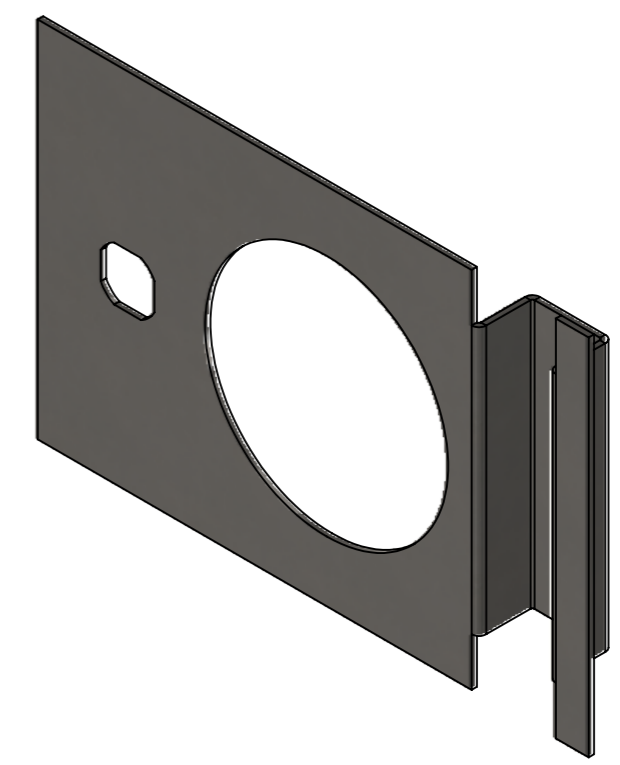
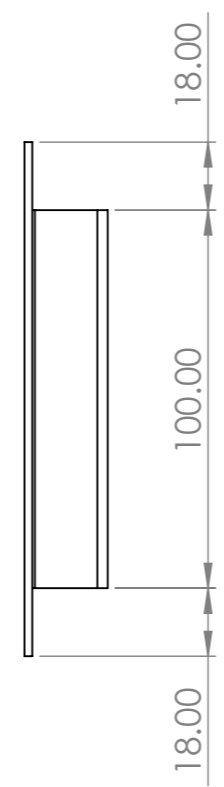
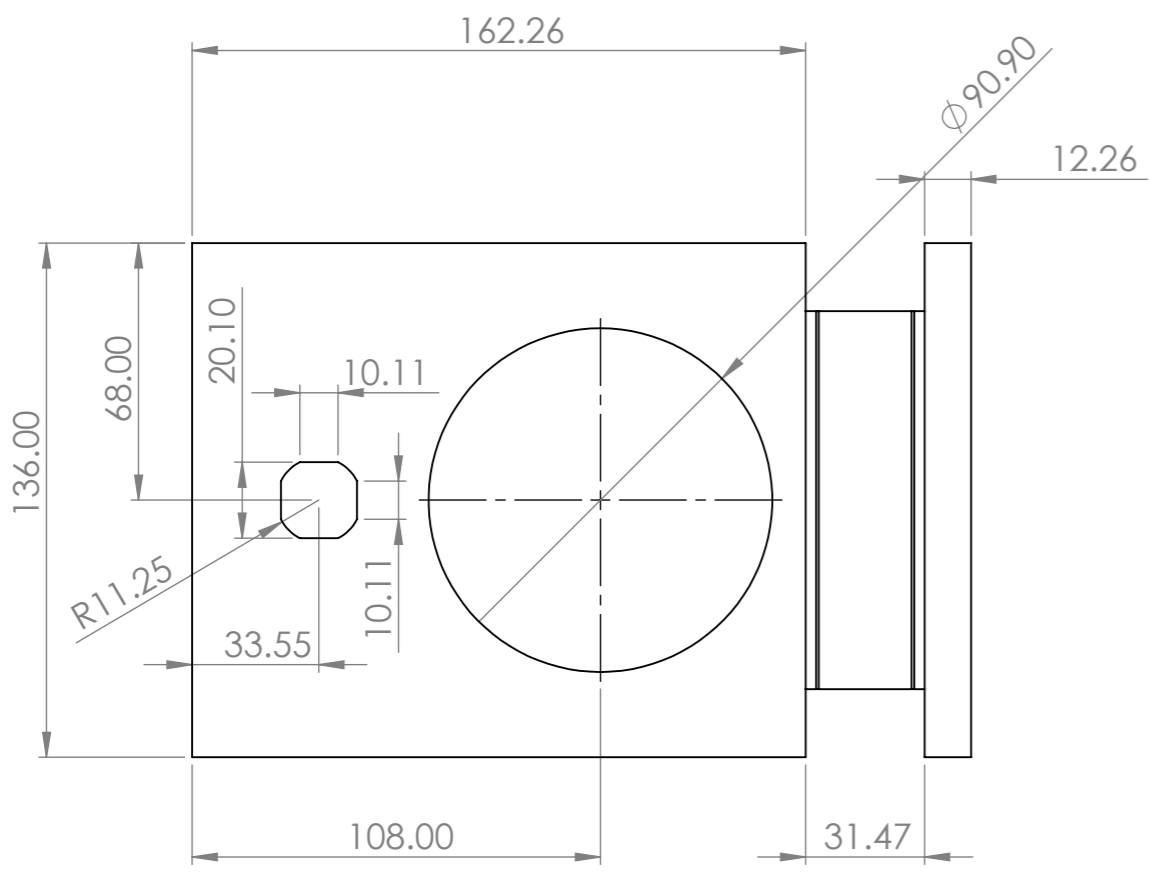
2

1

8 7 6 5 4 3 2 1

F
E
D
C
B
A

F
E
D
C
B
A



| | | | | | | | | | | | | | |
|---|------|-----------|---------|--|------------------------------------|--|---|--|------------|--|-----------------------------------|--|----|
| UNLESS OTHERWISE SPECIFIED: DIMENSIONS ARE IN MILLIMETERS SURFACE FINISH: TOLERANCES: LINEAR: ANGULAR: | | | FINISH: | | DEBURR AND BREAK SHARP EDGES | | DO NOT SCALE DRAWING | | REVISION | | | | |
| | | | | | | | | | | | | | |
| | | | | | | | TITLE: 88.9mm Guide Plate | | | | | | |
| | | | | | | | MATERIAL: 2B Stainless Steel | | | | DWG NO. 88.9 socket Asy | | A3 |
| | | | | | | | WEIGHT: 6630.04 | | SCALE: 1:5 | | SHEET 3 OF 6 | | |
| DRAWN | NAME | SIGNATURE | DATE | | | | | | | | | | |
| CHK'D | | | | | | | | | | | | | |
| APPV'D | | | | | | | | | | | | | |
| MFG | | | | | | | | | | | | | |
| Q.A | | | | | | | | | | | | | |

8 7 6 5 4 3 2 1

8 7 6 5 4 3 2 1

F

F

E

E

D

D

C

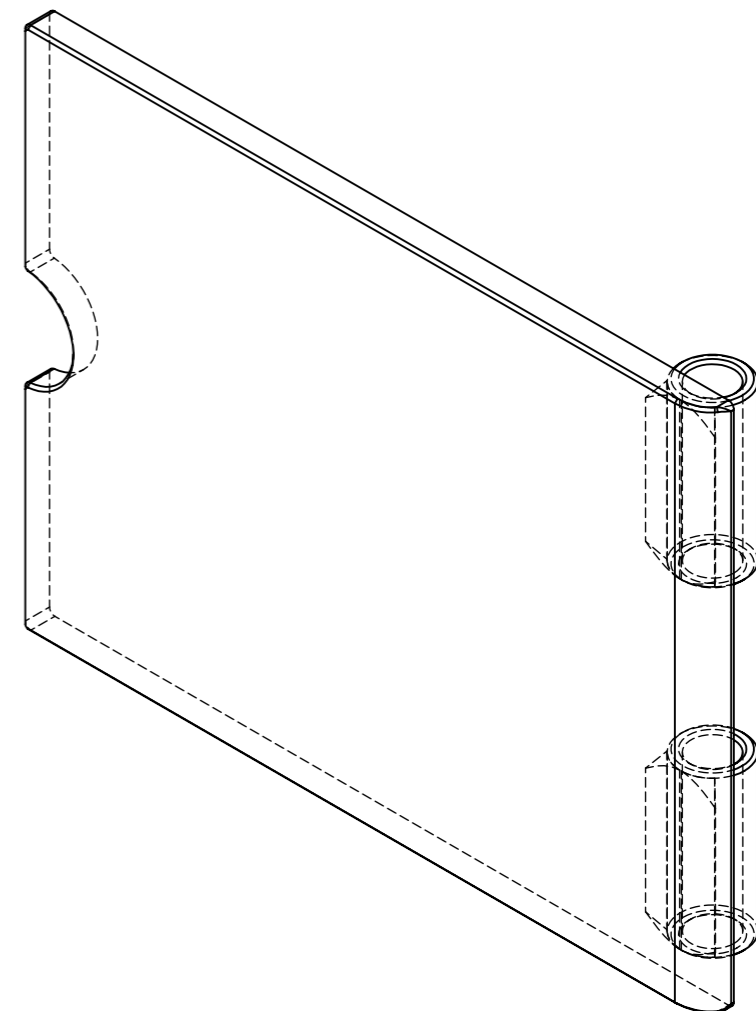
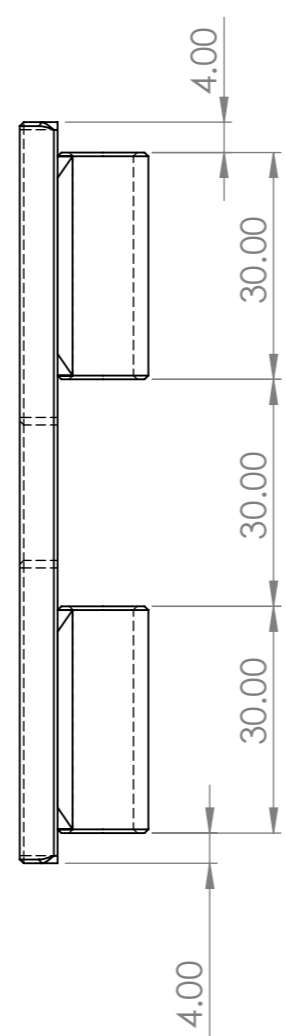
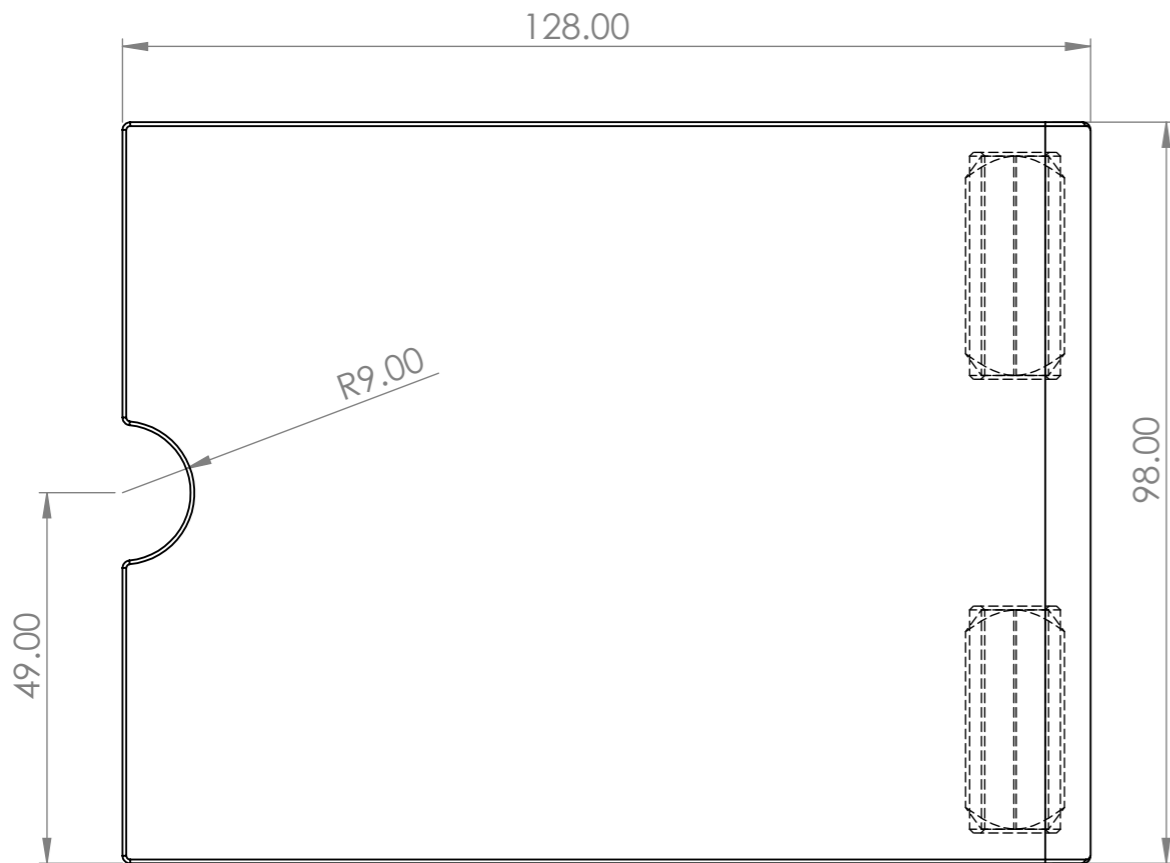
C


B

B

A

A

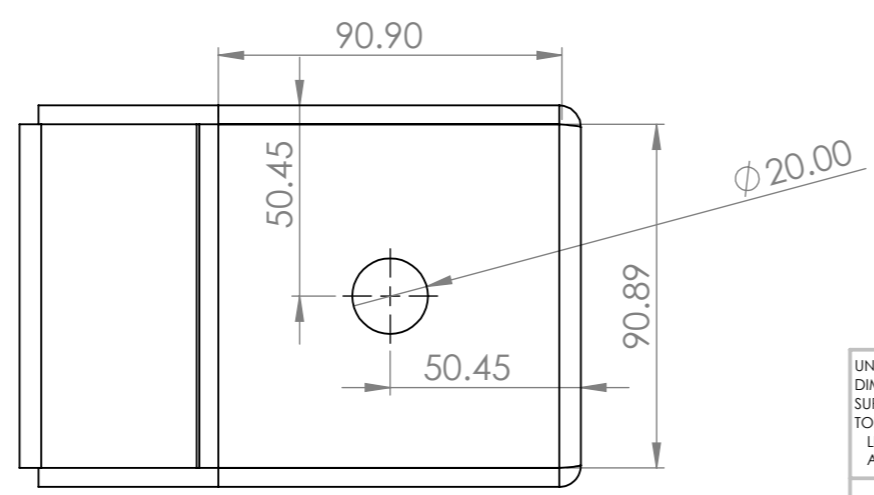
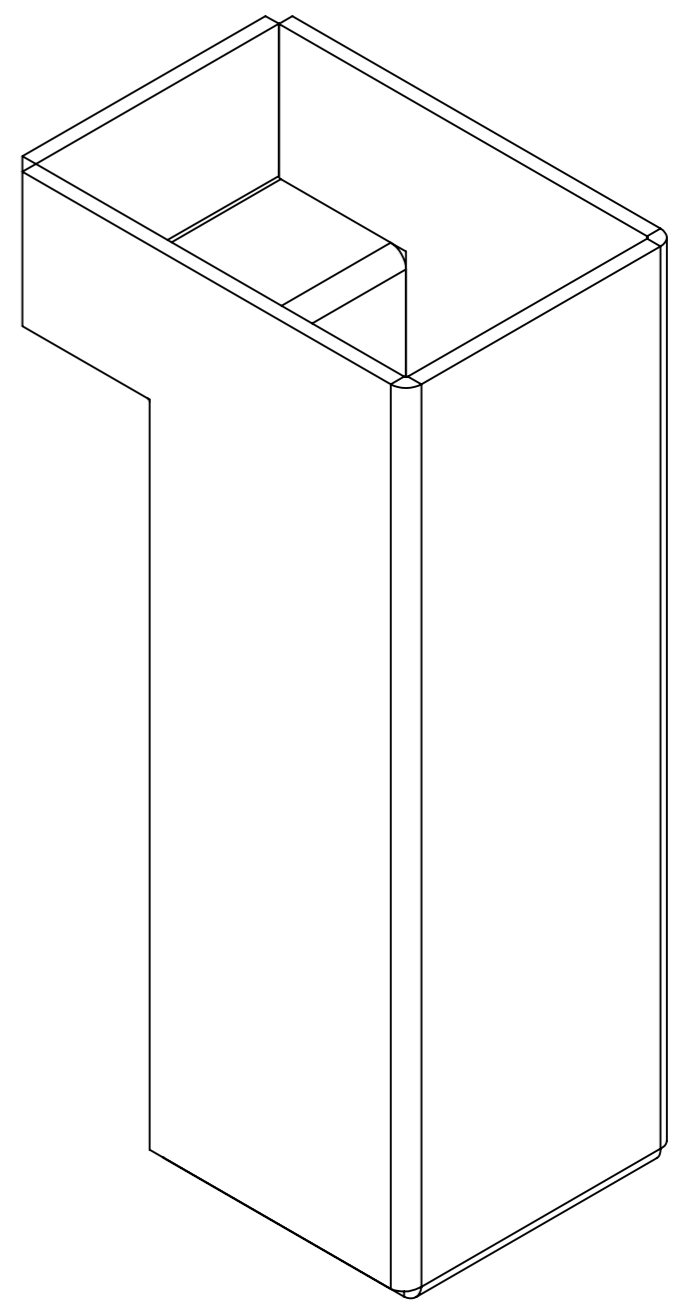
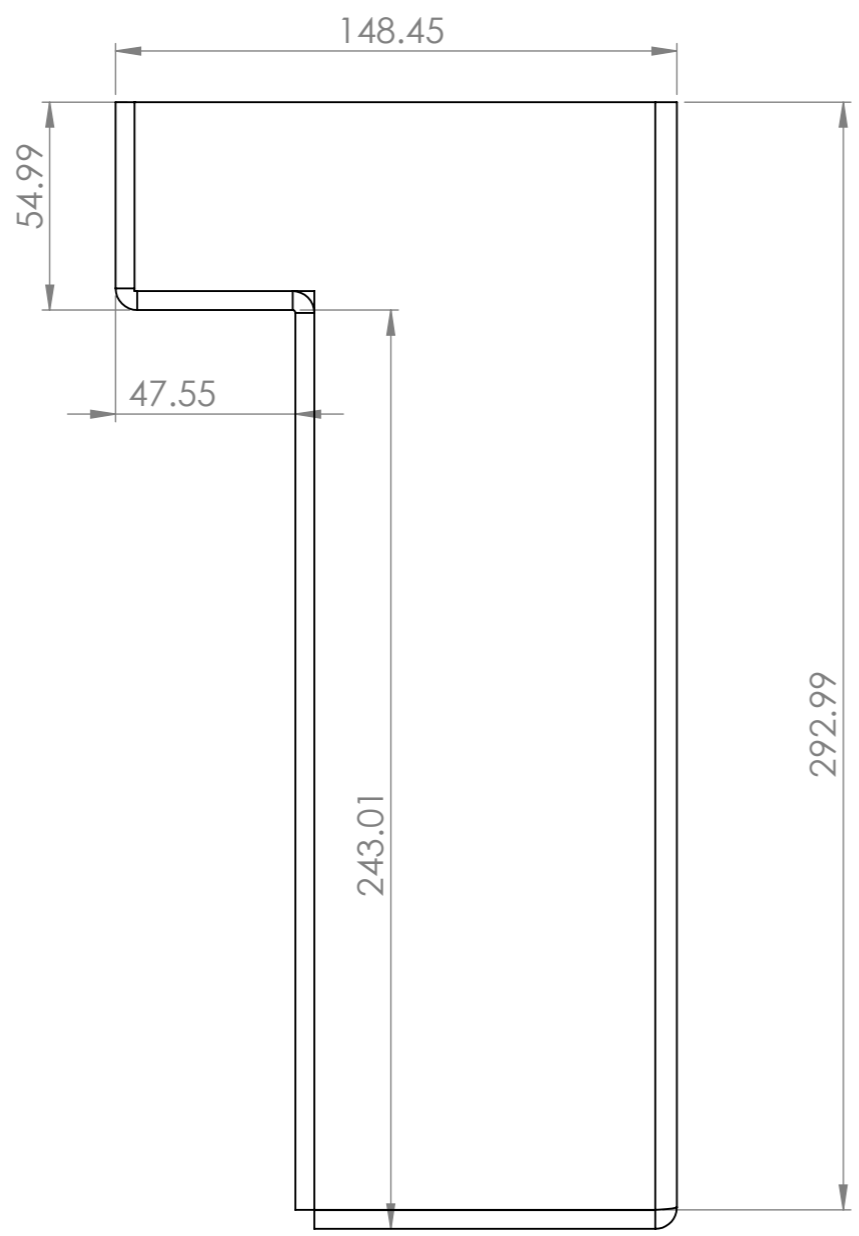
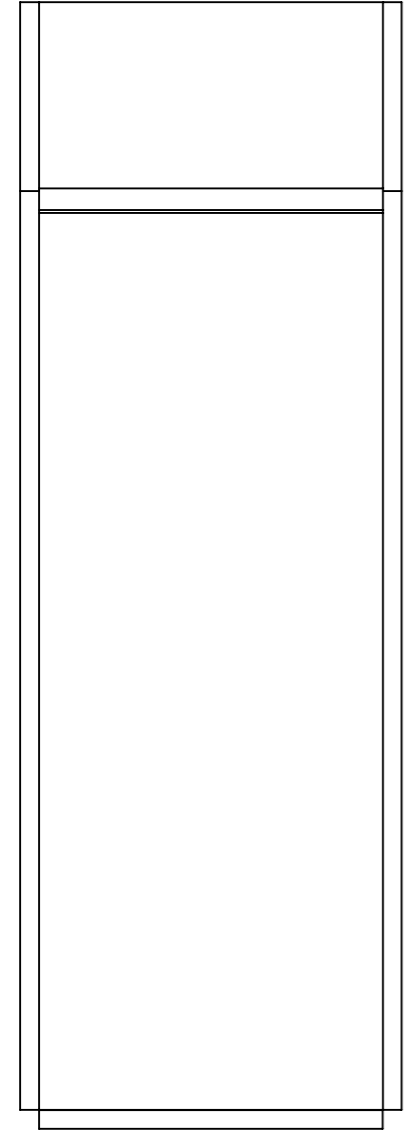



| | | | | | | | | | | | | | |
|--|--|--|--|---------|--|------------------------------------|--|---|--|---------------------------------------|--|--------------|--|
| UNLESS OTHERWISE SPECIFIED: DIMENSIONS ARE IN MILLIMETERS | | | | FINISH: | | DEBURR AND BREAK SHARP EDGES | | DO NOT SCALE DRAWING | | REVISION | | | |
| SURFACE FINISH: | | | | | | | |  | | | | | |
| TOLERANCES: | | | | | | | | | | | | | |
| LINEAR: | | | | | | | | TITLE: 88.9mm Flip Lid | | | | | |
| ANGULAR: | | | | | | | | DWG NO. 88.9 socket Asy | | | | | |
| DRAWN | | | | NAME | | SIGNATURE | | DATE | | MATERIAL: Polished Stainless Steel | | SCALE:1:5 | |
| CHK'D | | | | | | | | | | WEIGHT: 6630.04 | | SHEET 4 OF 6 | |
| APPV'D | | | | | | | | | | | | A3 | |
| MFG | | | | | | | | | | | | | |
| Q.A | | | | | | | | | | | | | |

8 7 6 5 4 3 2 1

F
E
D
C
B
A

F
E
D
C
B
A



| | | | | | | | | | | | |
|--|--|------|---------|-----------|------------------------------------|------|---|--------------------|------------------------------------|-----------------|--|
| UNLESS OTHERWISE SPECIFIED: DIMENSIONS ARE IN MILLIMETERS | | | FINISH: | | DEBURR AND BREAK SHARP EDGES | | DO NOT SCALE DRAWING | | REVISION | | |
| SURFACE FINISH: | | | | | | |  | | | | |
| TOLERANCES: | | | | | | | | | TITLE: | | |
| LINEAR: | | | | | | | | | <h1>88.9mm Bollard Socket</h1> | | |
| ANGULAR: | | | | | | | | | | | |
| DRAWN | | NAME | | SIGNATURE | | DATE | | MATERIAL: | | DWG NO. | |
| CHK'D | | | | | | | | 2B Stainless Steel | | 88.9 socket Asy | |
| APPV'D | | | | | | | | WEIGHT: 6630.04 | | SCALE: 1:5 | |
| MFG | | | | | | | | | | SHEET 5 OF 6 | |
| Q.A | | | | | | | | | | A3 | |

8 7 6 5 4 3 2 1

A

A

8 7 6 5 4 3 2 1

F

F

E

E

D

D

C

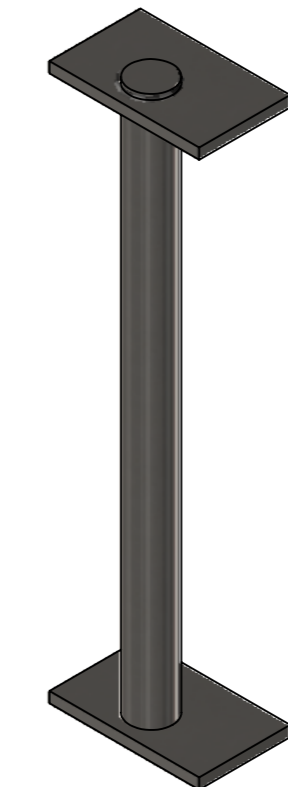
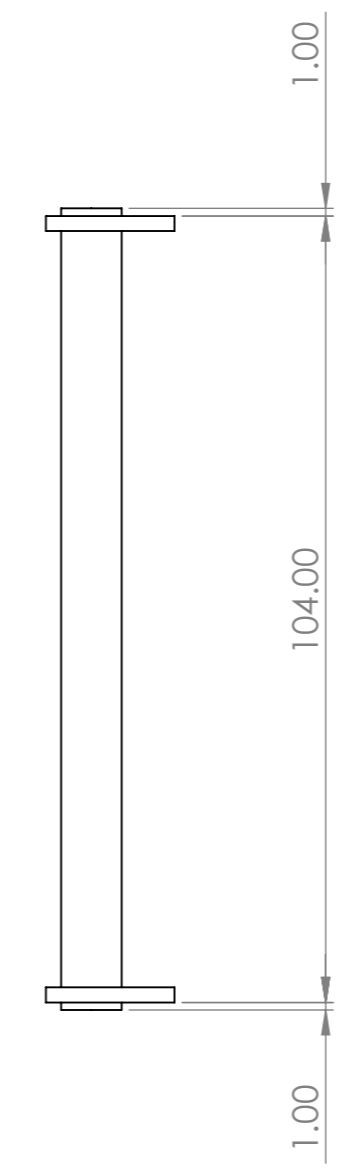
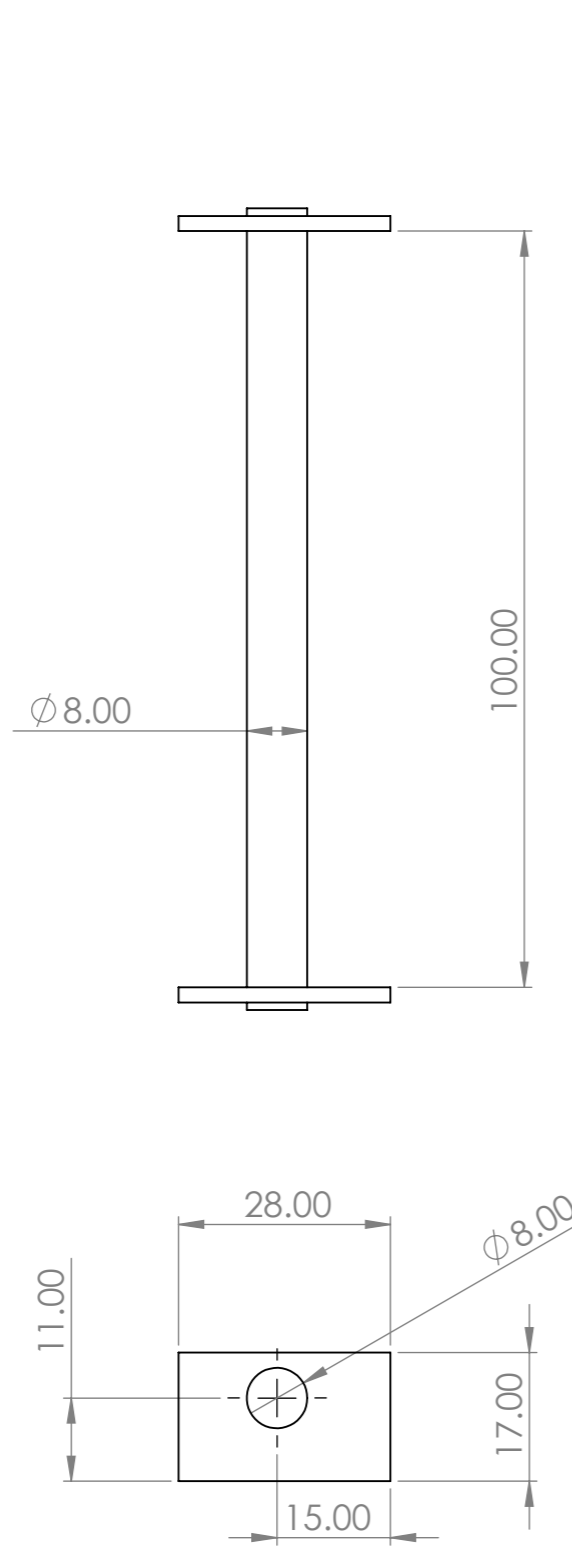
C

B

B

A

A



| | | | | | | | | | | | | | |
|---|-----------|------|---------|--|------------------------------------|--|---------------------------------|--|------------|--|-----------------------------------|--|----|
| UNLESS OTHERWISE SPECIFIED: DIMENSIONS ARE IN MILLIMETERS SURFACE FINISH: TOLERANCES: LINEAR: ANGULAR: | | | FINISH: | | DEBURR AND BREAK SHARP EDGES | | DO NOT SCALE DRAWING | | REVISION | | | | |
| | | | | | | | | | | | | | |
| | | | | | | | TITLE: 88.9mm Hinge | | | | | | |
| | | | | | | | MATERIAL: 2B Stainless Steel | | | | DWG NO. 88.9 socket Asy | | A3 |
| | | | | | | | WEIGHT: 6630.04 | | SCALE: 1:5 | | SHEET 6 OF 6 | | |
| NAME | SIGNATURE | DATE | | | | | | | | | | | |
| DRAWN | | | | | | | | | | | | | |
| CHK'D | | | | | | | | | | | | | |
| APPV'D | | | | | | | | | | | | | |
| MFG | | | | | | | | | | | | | |
| Q.A | | | | | | | | | | | | | |

8 7 6 5 4 3 2 1