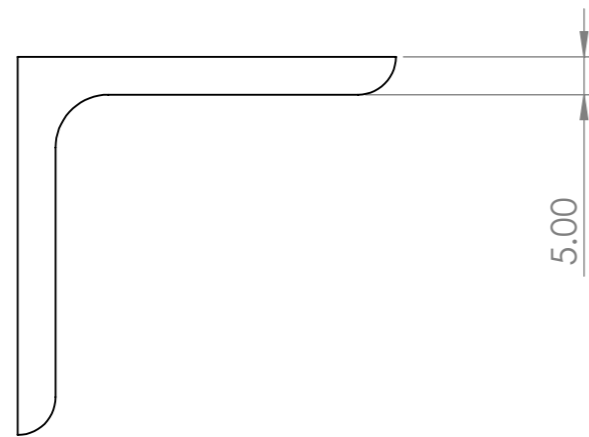
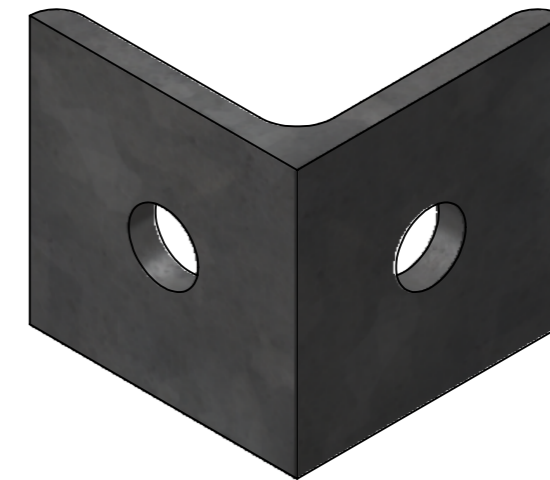
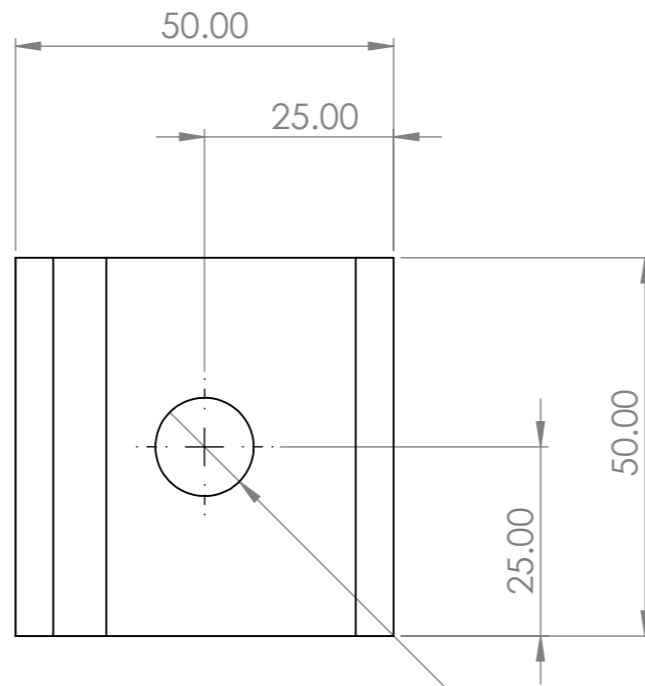
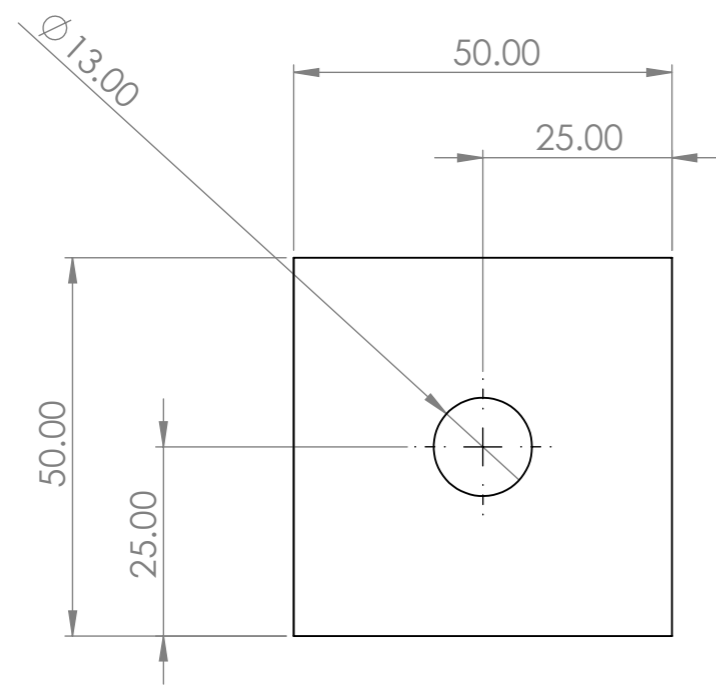



REV	REVISION NOTES	REVISION BY	REVISION DATE
1			
2			
3			
4			



 <b>Alfa Industrial Services LTD</b> 17 Bridge St Pendlebury Manchester M27 4DU	UNLESS OTHERWISE SPECIFIED: DIMENSIONS ARE IN MILLIMETERS TOLERANCES: X: ±2.5      X.XX: ±0.13 X.X: ±0.25    X.XXX: ±0.013		CUSTOMER:	
	MATERIAL: Galvanized Steel		DESCRIPTION: 50 x 50 Angle Iron 90 Degree Pedestrian Guard Rail Connection 2no Per Corner	
	FINISH:		DWG NO:	
	WEIGHT: 176.38 grams		REV:	
DEBUR AND BREAK SHARP EDGES		BY: LH	DATE:	90 degree connection bracket
DO NOT SCALE DRAWING IF IN DOUBT ASK!		CHECKED:	APPROVED:	SHEET SCALE: 1:1
				SHEET SIZE: A3
				SHEET NUMBER: 1 OF 1