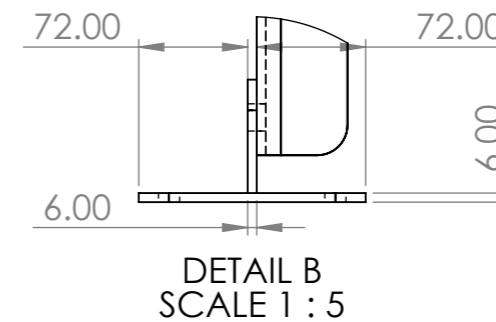
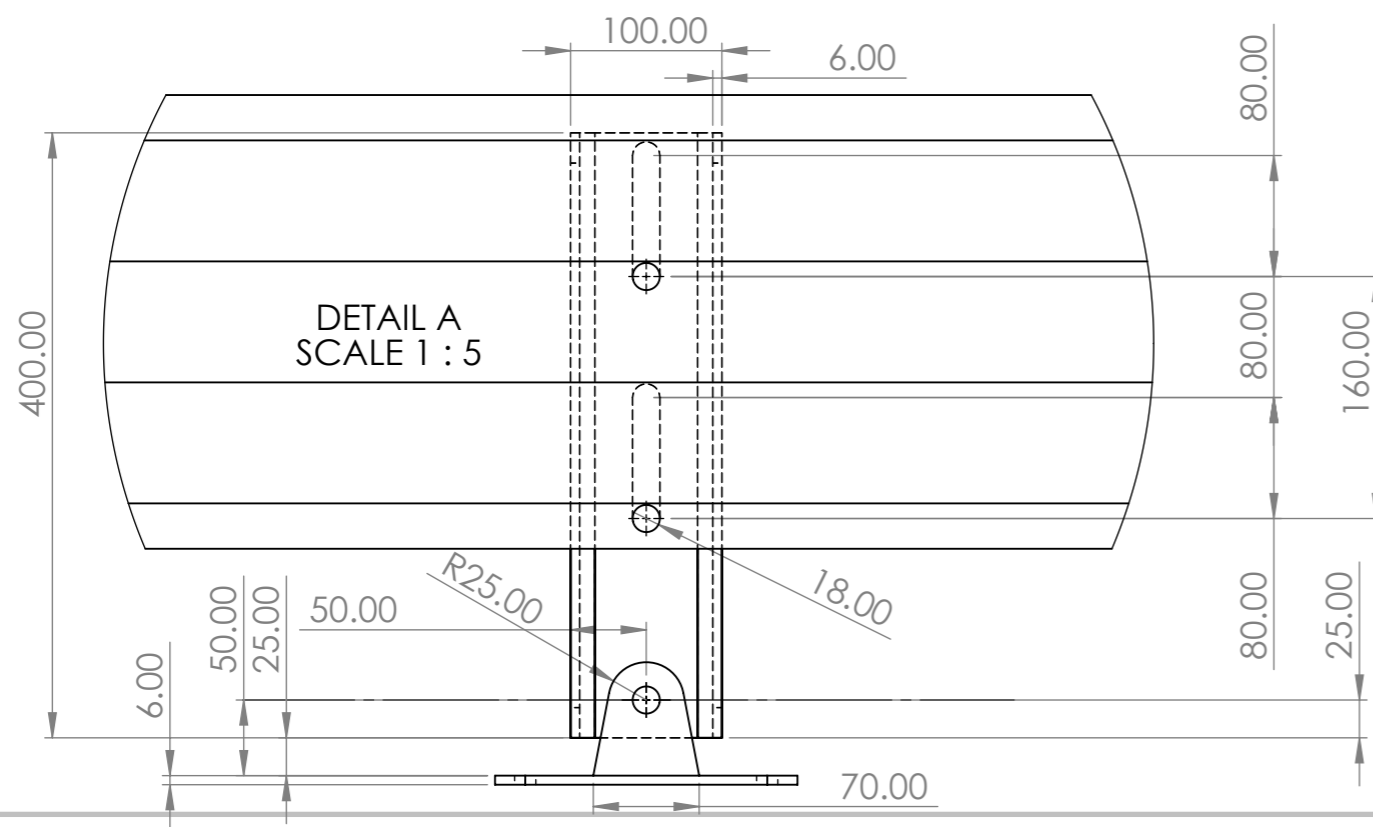
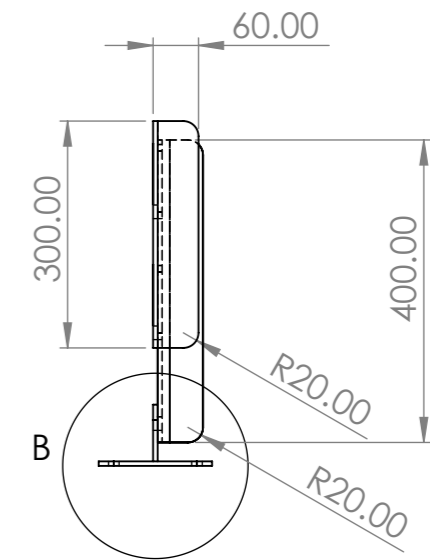
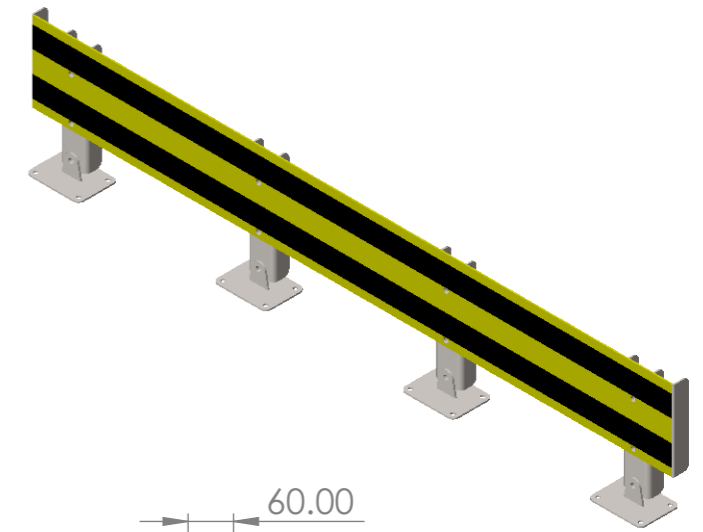
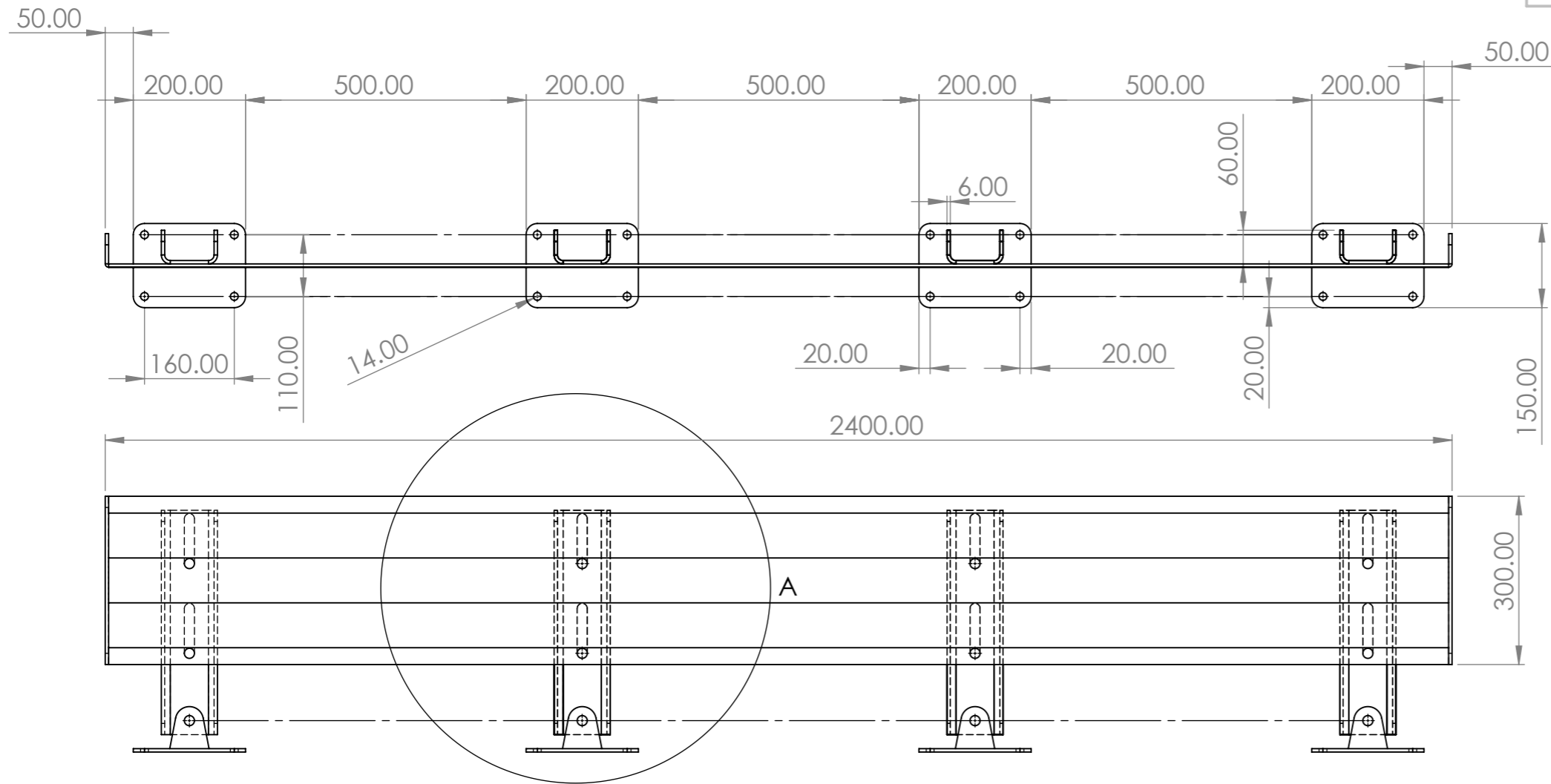



REV	REVISION NOTES	REVISION BY	REVISION DATE
1			
2			
3			
4			



 <b>METAL PRODUCTS DIRECT</b> 17 Bridge Street Pendlebury Manchester M27 4DU	UNLESS OTHERWISE SPECIFIED: DIMENSIONS ARE IN MILLIMETERS TOLERANCES: X: 2.5 X.XX: 0.13 X.X: 0.25 X.XXX: 0.013	CUSTOMER:
	MATERIAL: Mild Steel FINISH: Powder Coated WEIGHT: 66.2 Kg	DESCRIPTION: <b>Adjustable Height Barrier</b>
DEBUR AND BREAK SHARP EDGES DO NOT SCALE DRAWING <b>IF IN DOUBT ASK!</b>	BY: _____ DATE: _____ DRAWN: _____ CHECKED: _____ APPROVED: _____	DWG NO: <b>AHG-H300-L2400</b> REV: _____
SHEET SCALE: 1:20 SHEET SIZE: A3 SHEET NUMBER: 1 OF 1		