

8 7 6 5 4 3 2 1

F

F

E

E

D

D

C

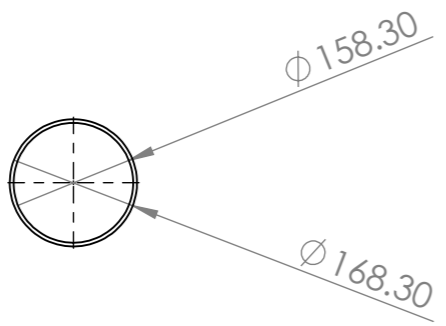
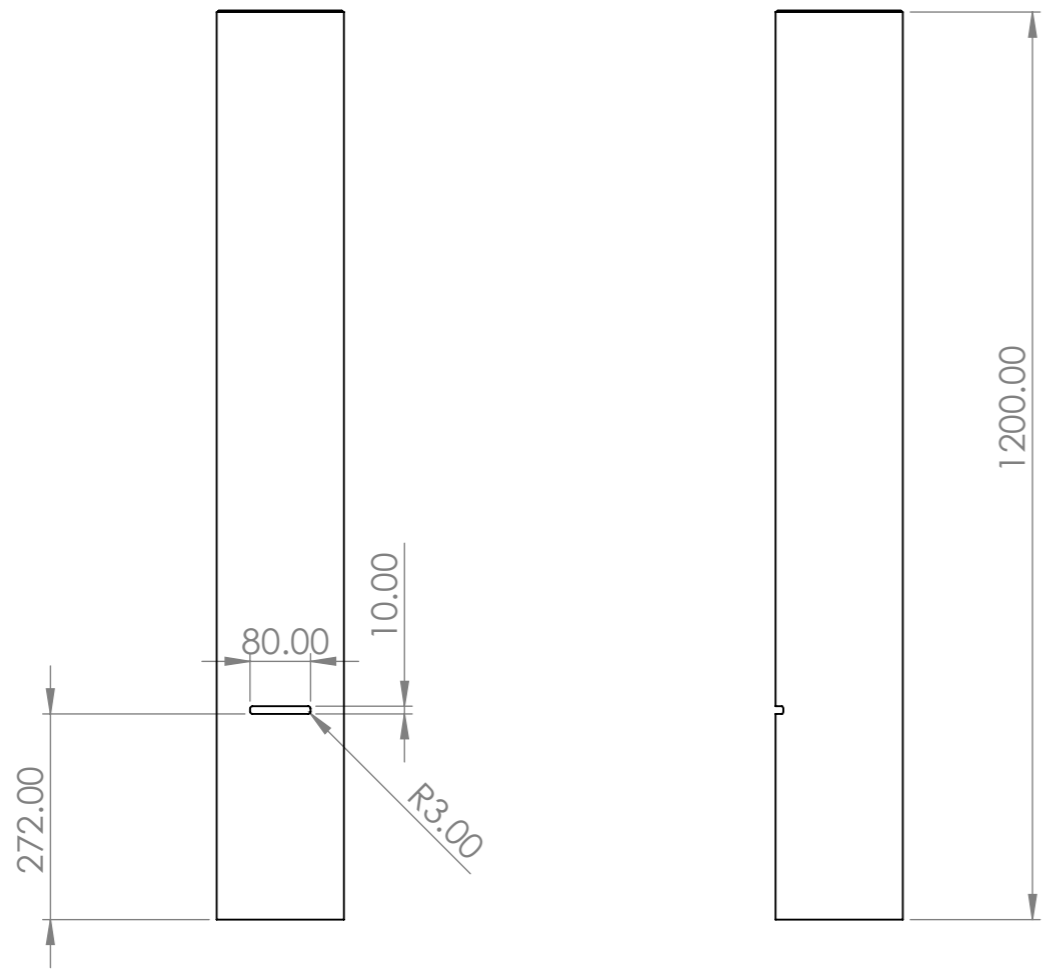
C


B

B

A

A



UNLESS OTHERWISE SPECIFIED: DIMENSIONS ARE IN MILLIMETERS SURFACE FINISH: TOLERANCES: LINEAR: ANGULAR:			FINISH: Galvanized		DEBURR AND BREAK SHARP EDGES		DO NOT SCALE DRAWING		REVISION			
							 TITLE: 114.3mm Galv Flat Bollard					
DRAWN		NAME		SIGNATURE		DATE						
CHK'D												
APPV'D												
MFG												
Q.A						MATERIAL: Galvanized Steel		DWG NO. B-RF-G-HL-FL-H1200-D168.3		A3		
						WEIGHT: 24530.15		SCALE:1:10		SHEET 1 OF 1		

8 7 6 5 4 3 2 1