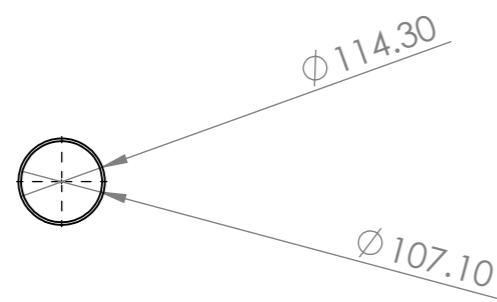
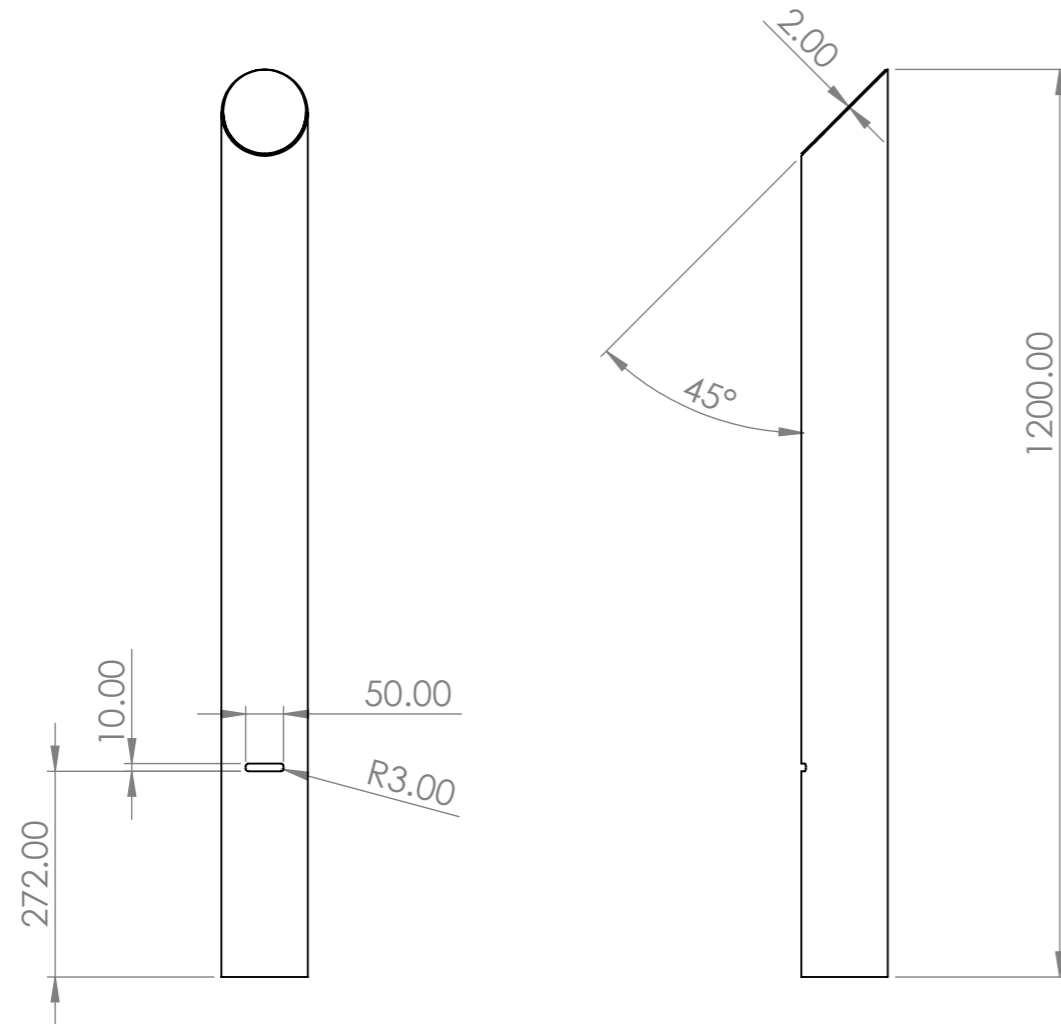


8 7 6 5 4 3 2 1

F  
E  
D  
C  
B  
A

F  
E  
D  
C  
B  
A



|   |  |  |  |                           |  |                                    |  |                               |  |  |  |
|---|--|--|--|---------------------------|--|------------------------------------|--|-------------------------------|--|--|--|
| UNLESS OTHERWISE SPECIFIED:<br>DIMENSIONS ARE IN MILLIMETERS<br>SURFACE FINISH:<br>TOLERANCES:<br>LINEAR:<br>ANGULAR: |  |  |  | FINISH:<br><br>Galvanized |  | DEBURR AND<br>BREAK SHARP<br>EDGES |  | DO NOT SCALE DRAWING          |  | REVISION   |  |
| DRAWN   |  |  |  | NAME                      |  | SIGNATURE                          |  | DATE                          |  | TITLE:<br><b>114.3mm Galv<br/>Mitred Bollard</b> |  |
| CHK'D   |  |  |  |                           |  |                                    |  |                               |  | DWG NO.<br>B-RM-G-HL-FL-H1200-D114.3             |  |
| APPV'D  |  |  |  |                           |  |                                    |  |                               |  | A3   |  |
| MFG   |  |  |  |                           |  |                                    |  |                               |  | SCALE:1:10                                       |  |
| Q.A   |  |  |  |                           |  |                                    |  | MATERIAL:<br>Galvanized Steel |  | SHEET 1 OF 1                                     |  |
|   |  |  |  |                           |  |                                    |  | WEIGHT: 11457.51              |  |  |  |

8 7 6 5 4 3 2 1

A

A