

8 7 6 5 4 3 2 1

F

F

E

E

D

D

C

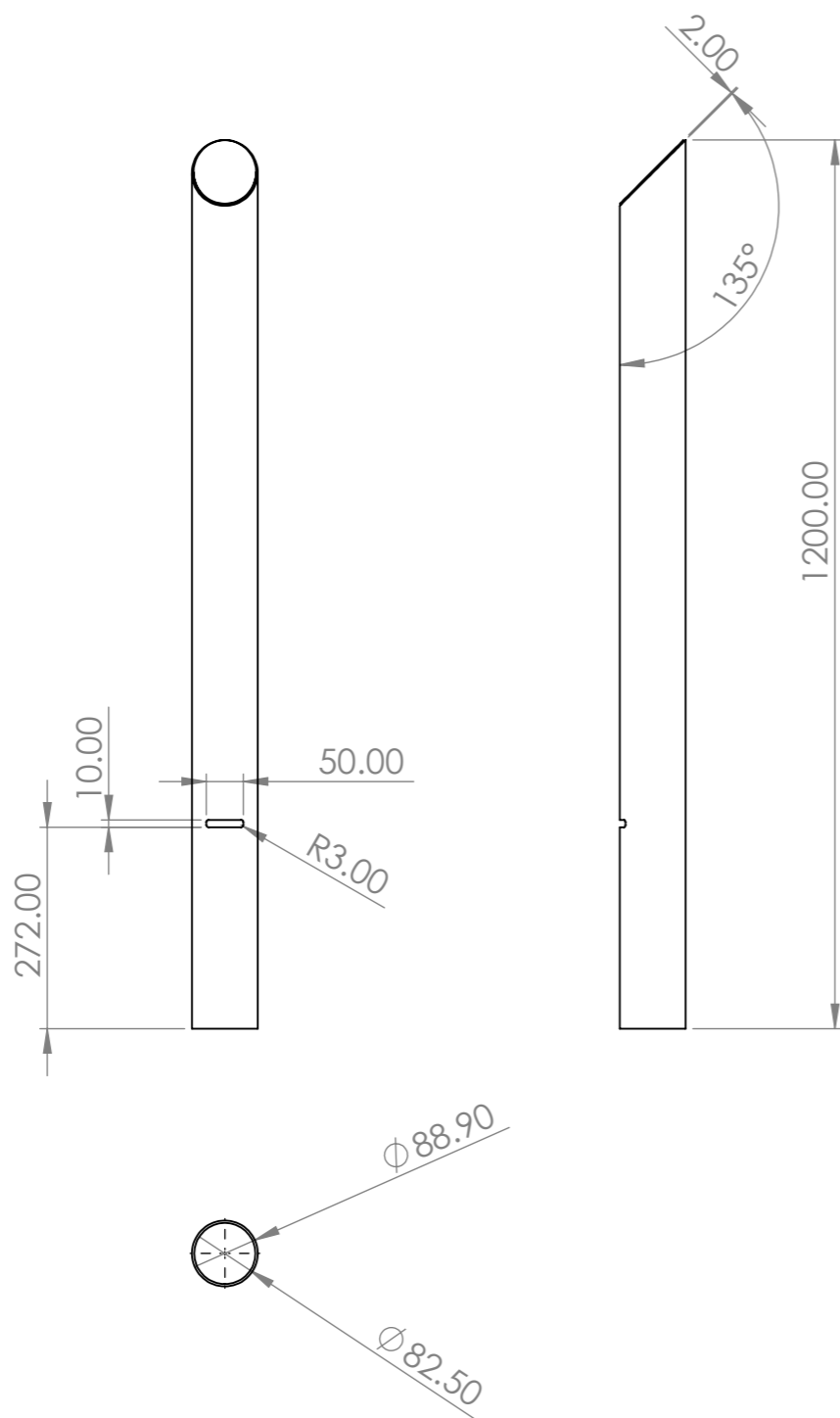
C


B

B

A

A



UNLESS OTHERWISE SPECIFIED: DIMENSIONS ARE IN MILLIMETERS			FINISH:		DEBURR AND BREAK SHARP EDGES		DO NOT SCALE DRAWING		REVISION	
SURFACE FINISH:										
TOLERANCES:									TITLE:	
LINEAR:							DRAWN			
ANGULAR:							CHK'D			
							APPV'D			
							MFG			
							Q.A			
					MATERIAL:		DWG NO.		A3	
					Galvanized Steel		B-RM-G-HL-FL-H1200-D88.9			
					WEIGHT: 7948.27		SCALE: 1:10		SHEET 1 OF 1	