

8 7 6 5 4 3 2 1

F

F

E

E

D

D

C

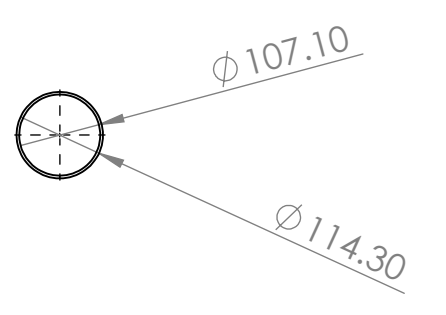
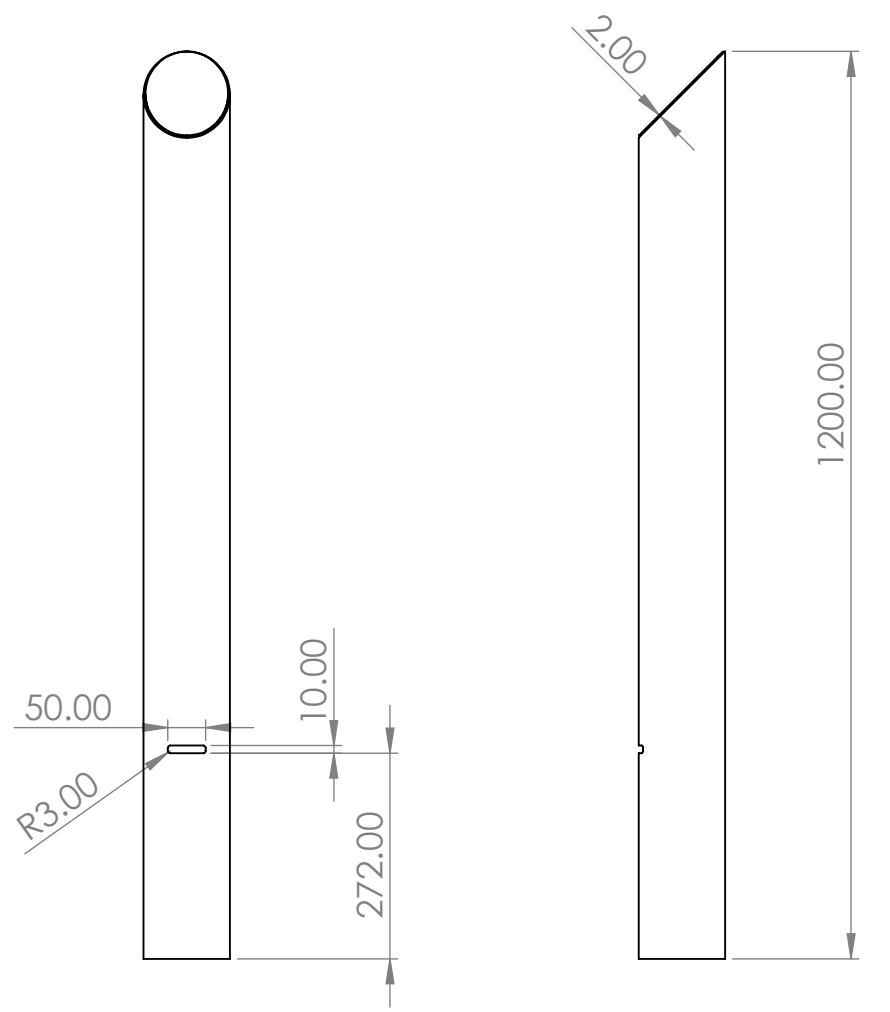
C

B

B

A

A



UNLESS OTHERWISE SPECIFIED: DIMENSIONS ARE IN MILLIMETERS SURFACE FINISH: TOLERANCES: LINEAR: ANGULAR:			FINISH:		DEBURR AND BREAK SHARP EDGES		DO NOT SCALE DRAWING		REVISION		
							TITLE: <b>114.3mm Mitred Bollard</b>				
DRAWN			NAME		SIGNATURE		DATE		DWG NO. B-RM-SS-HL-FL-H1200-D114.3		A3
CHK'D									SCALE:1:10		SHEET 1 OF 1
APPV'D									MATERIAL: AISI 304		
MFG									WEIGHT: 11646.77		
Q.A											

8 7 6 5 4 3 2 1