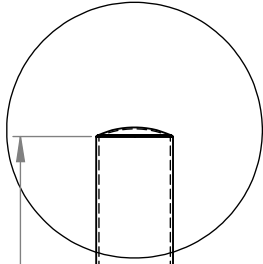
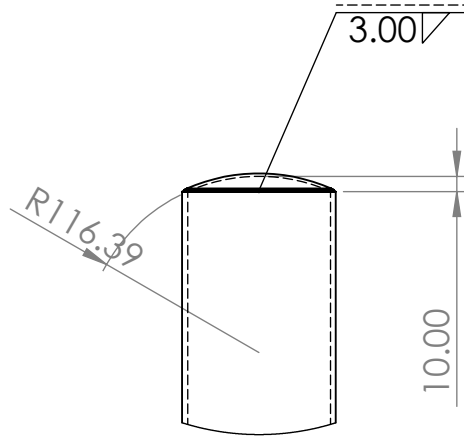


A



1200.00



DETAIL A  
SCALE 1 : 5



UNLESS OTHERWISE SPECIFIED:  
DIMENSIONS ARE IN MILLIMETERS  
SURFACE FINISH:  
TOLERANCES:  
LINEAR:  
ANGULAR:

FINISH:

Galvanized

DEBURR AND  
BREAK SHARP  
EDGES

DO NOT SCALE DRAWING

REVISION

1

	NAME	SIGNATURE	DATE
DRAWN	Lee Hickman		23/07/19
CHK'D			
APPV'D			
MFG			
Q.A			
MATERIAL:			
Mild Steel			
WEIGHT: 10.6 KG			

TITLE:

Round Semi  
Domed Bollard

DWG NO.

B-SD-G-H1200-D101.6

A4

SCALE:1:10

SHEET 1 OF 1