

8 7 6 5 4 3 2 1

F

F

E

E

D

D

C

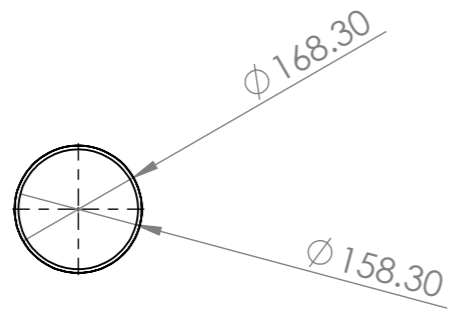
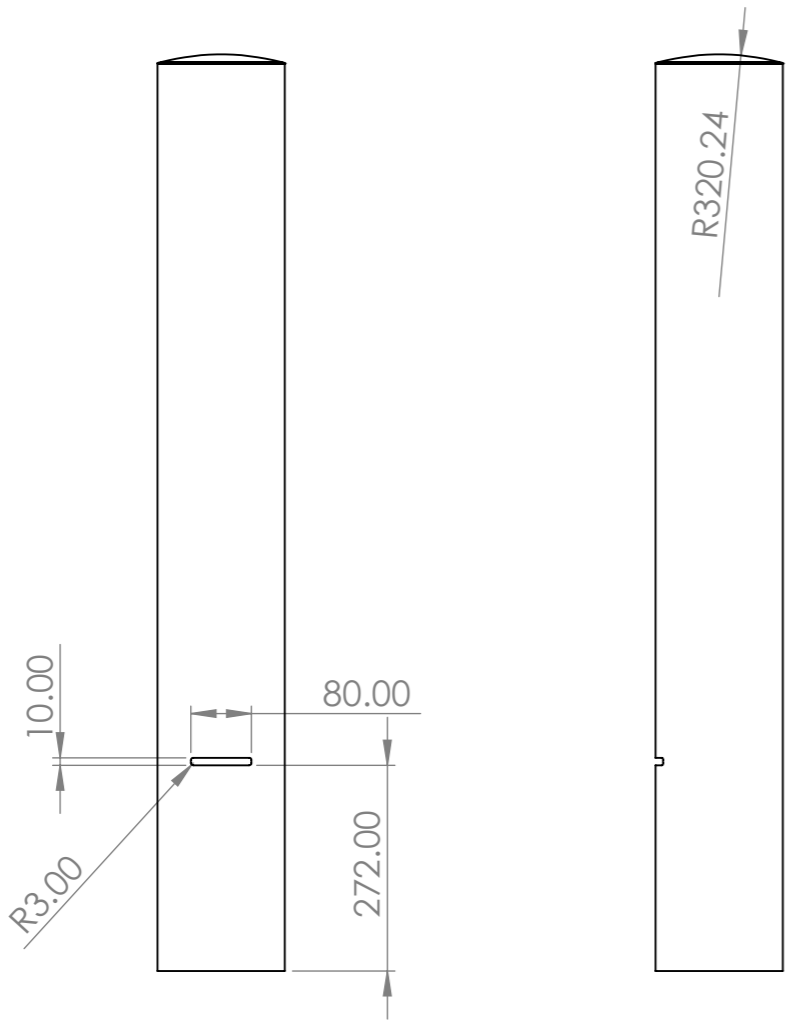
C

B

B

A

A



UNLESS OTHERWISE SPECIFIED: DIMENSIONS ARE IN MILLIMETERS SURFACE FINISH: TOLERANCES: LINEAR: ANGULAR:				FINISH:  Galvanized		DEBURR AND BREAK SHARP EDGES		DO NOT SCALE DRAWING		REVISION	
								TITLE: <b>168mm Galv Bollard</b>			
DRAWN				NAME		SIGNATURE		DATE		DWG NO. B-SD-G-HL-FL-H1200-D168.3	
CHK'D										A3	
APPV'D										SCALE:1:10	
MFG										SHEET 1 OF 1	
Q.A								MATERIAL: Galvanized Steel		WEIGHT: 24534.28	

8 7 6 5 4 3 2 1