

8 7 6 5 4 3 2 1

F

F

E

E

D

D

C

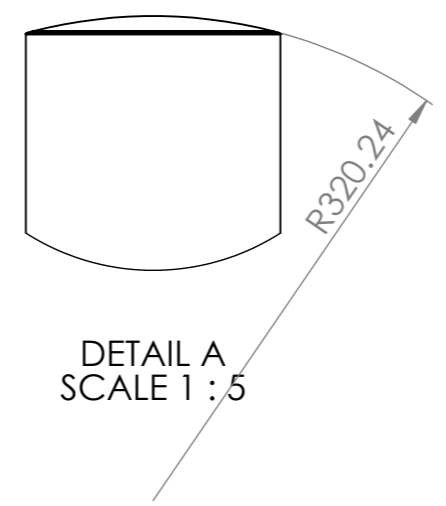
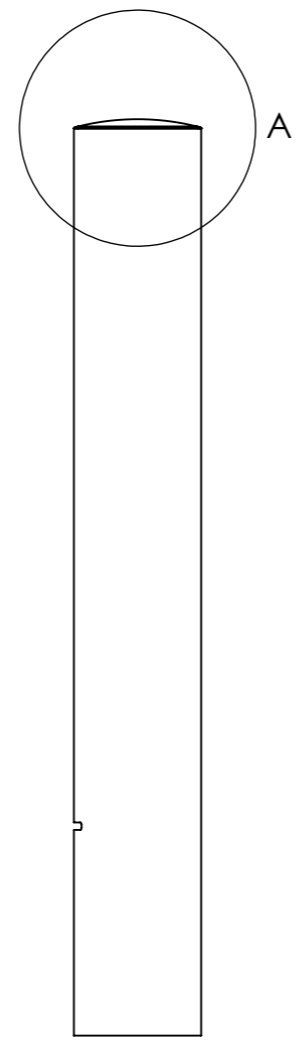
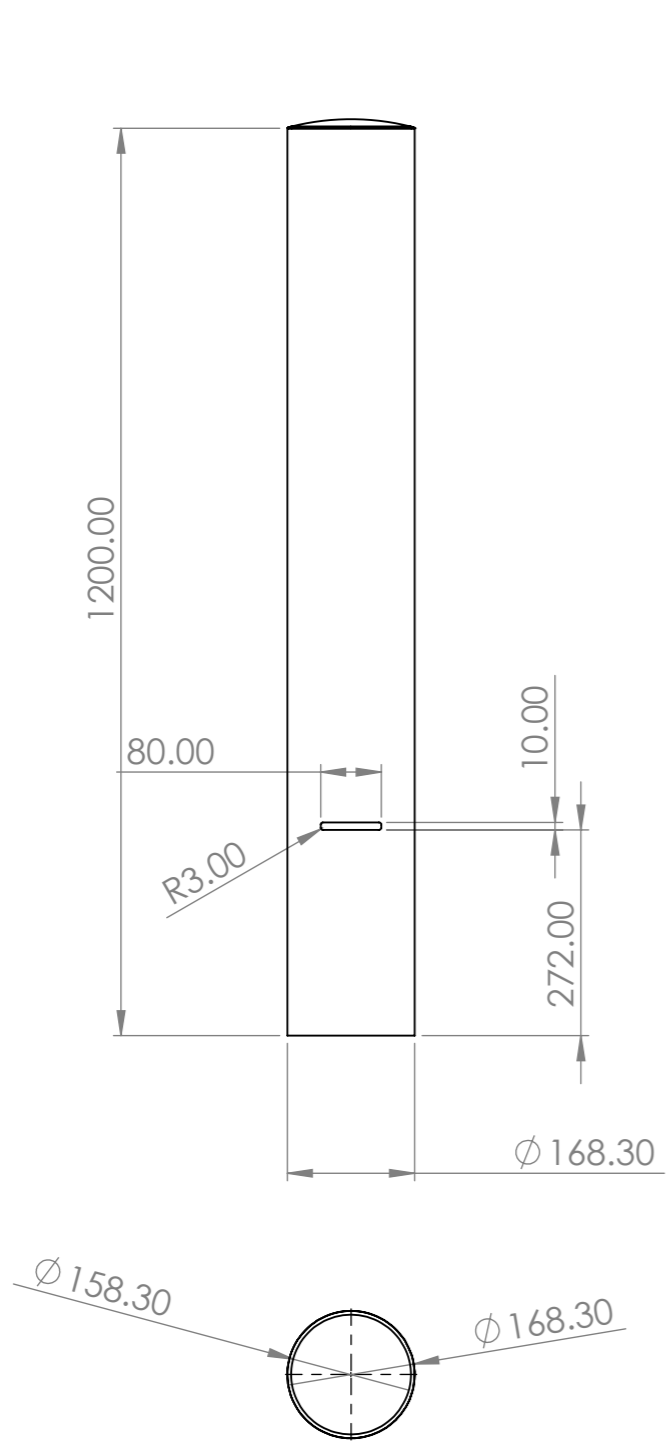
C

B

B

A

A



UNLESS OTHERWISE SPECIFIED: DIMENSIONS ARE IN MILLIMETERS SURFACE FINISH: TOLERANCES: LINEAR: ANGULAR:				FINISH:		DEBURR AND BREAK SHARP EDGES		DO NOT SCALE DRAWING		REVISION	
								TITLE:			
DRAWN		NAME		SIGNATURE		DATE					
CHK'D											
APPV'D											
MFG											
Q.A								MATERIAL:		DWG NO.	
								AISI 304		B-SD-SS-HL-FL-H1200-D168.3	
								WEIGHT: 24939.55		SCALE: 1:10	
										SHEET 1 OF 1	
								A3			

8 7 6 5 4 3 2 1