

8 7 6 5 4 3 2 1

F

F

E

E

D

D

C

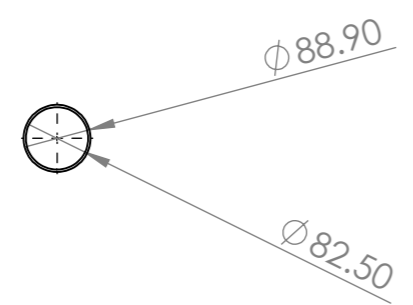
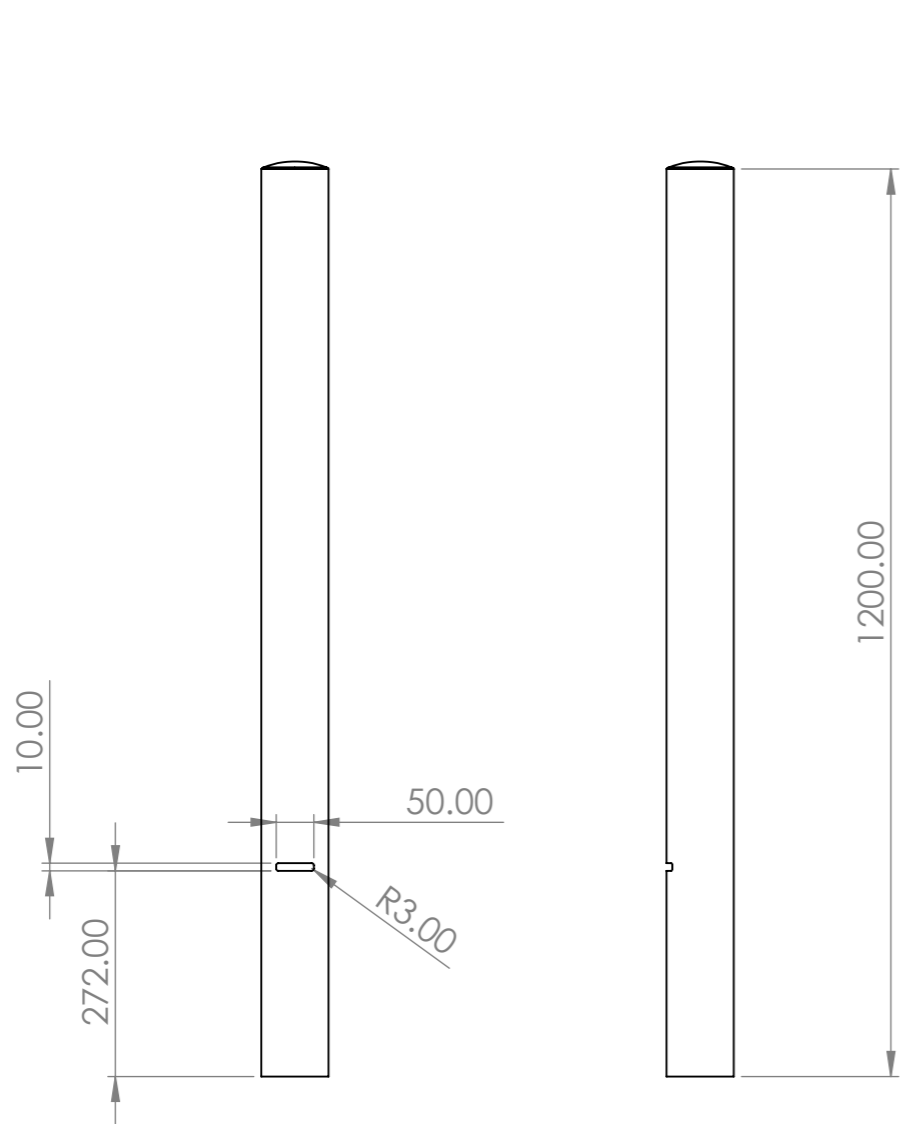
C

B

B

A

A



UNLESS OTHERWISE SPECIFIED: DIMENSIONS ARE IN MILLIMETERS SURFACE FINISH: TOLERANCES: LINEAR: ANGULAR:			FINISH:		DEBURR AND BREAK SHARP EDGES		DO NOT SCALE DRAWING		REVISION		
							TITLE: 88.9mm Domed Bollard				
DRAWN			NAME		SIGNATURE		DATE		DWG NO. B-SD-SS-HL-FL-H1200-D88.9		A3
CHK'D											
APPV'D											
MFG											
Q.A							MATERIAL: AISI 304		SCALE:1:10		SHEET 1 OF 1
							WEIGHT: 8355.17				

8 7 6 5 4 3 2 1