

8 7 6 5 4 3 2 1

F

F

E

E

D

D

C

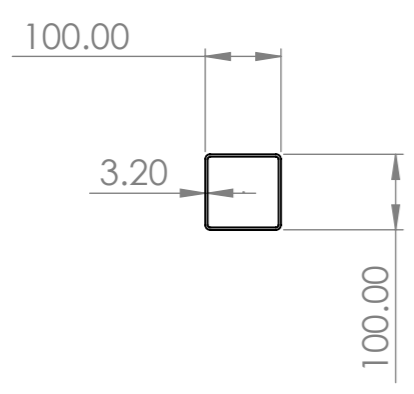
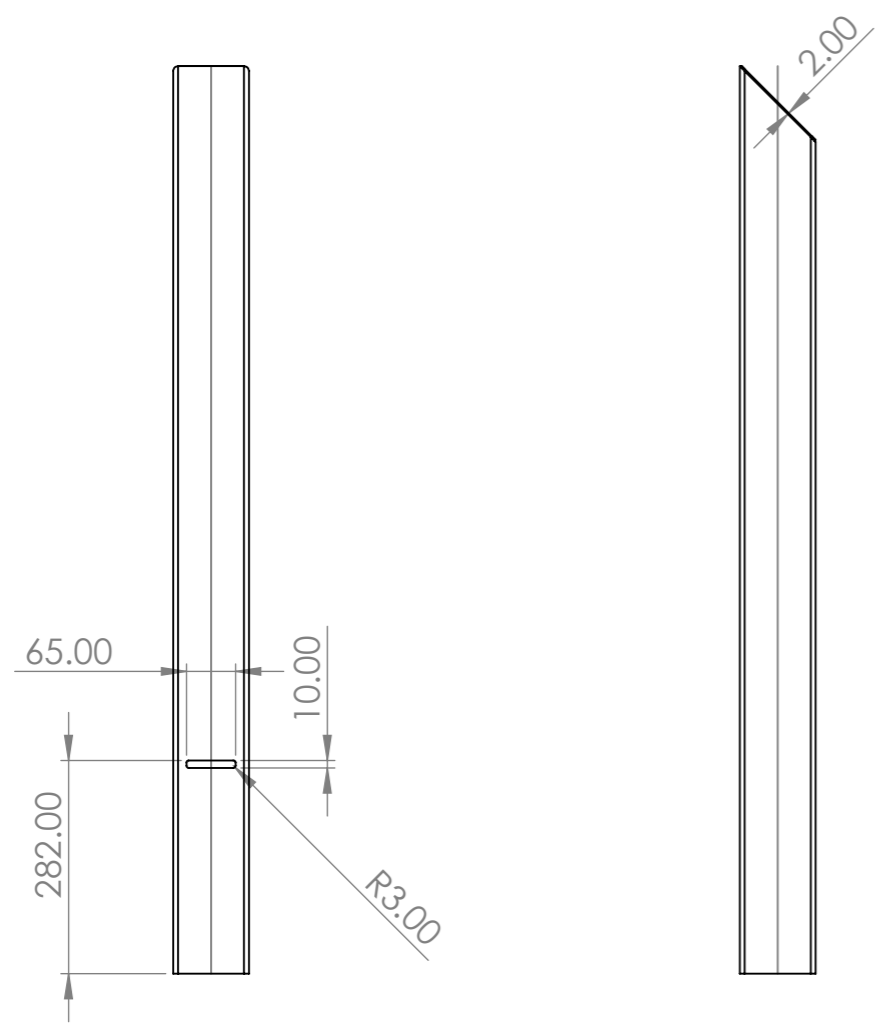
C

B

B

A

A



UNLESS OTHERWISE SPECIFIED: DIMENSIONS ARE IN MILLIMETERS SURFACE FINISH: TOLERANCES: LINEAR: ANGULAR:			FINISH:  Galvanized		DEBURR AND BREAK SHARP EDGES		DO NOT SCALE DRAWING		REVISION		
DRAWN			NAME		SIGNATURE		DATE		TITLE: <b>100 x 100 Galv Mitred Bollard</b>		
CHK'D									DWG NO. B-SM-G-HL-FL-H1200-100x100		
APPV'D									A3		
MFG									SCALE:1:10		
Q.A							MATERIAL: Galvanized Steel		SHEET 1 OF 1		
							WEIGHT: 11169.03				