

8 7 6 5 4 3 2 1

F

F

E

E

D

D

C

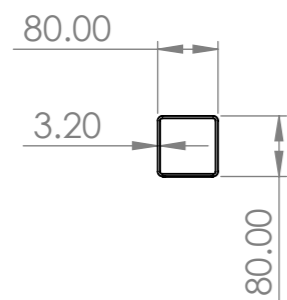
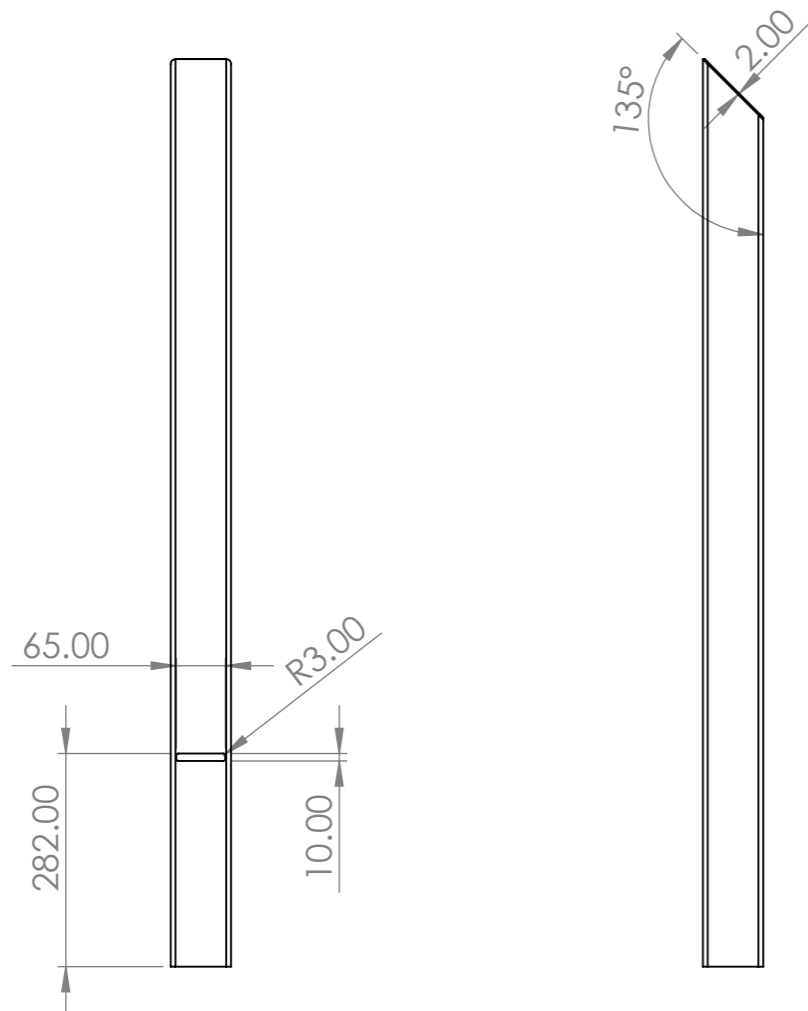
C


B

B

A

A



UNLESS OTHERWISE SPECIFIED: DIMENSIONS ARE IN MILLIMETERS			FINISH: Galvanized		DEBURR AND BREAK SHARP EDGES		DO NOT SCALE DRAWING		REVISION	
SURFACE FINISH: TOLERANCES: LINEAR: ANGULAR:										
							TITLE:		80 x 80 Mitred Galv Bollard	
DRAWN			NAME		SIGNATURE		DATE		DWG NO. B-SM-G-HL-FL-H1200-80x80	
CHK'D									A3	
APPV'D										
MFG										
Q.A							MATERIAL:		Galvanized Steel	
							WEIGHT: 8849.69		SCALE: 1:10	
									SHEET 1 OF 1	

8 7 6 5 4 3 2 1