

8 7 6 5 4 3 2 1

F

F

E

E

D

D

C

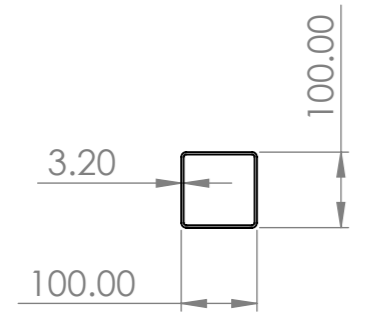
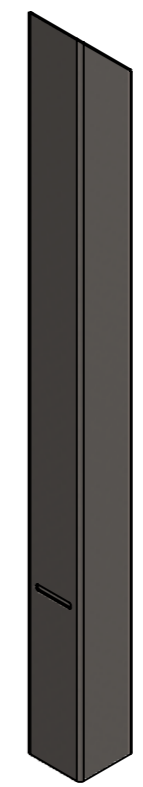
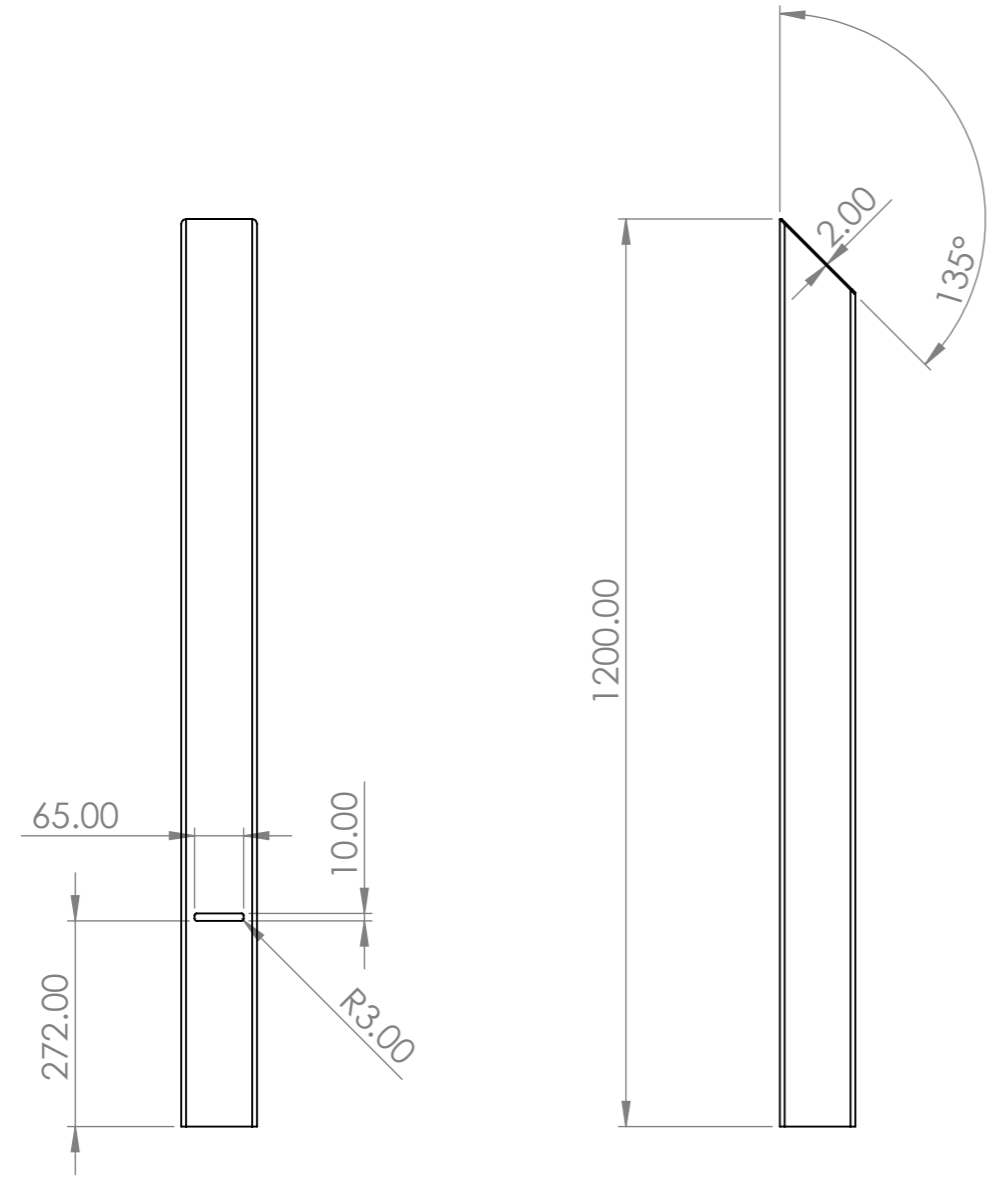
C

B

B

A

A



| | | | | | | | | | | | |
|---|--|--|--|------------------------------|--|------------------------------------|--|---|--|-------------------------------------|--|
| UNLESS OTHERWISE SPECIFIED: DIMENSIONS ARE IN MILLIMETERS SURFACE FINISH: TOLERANCES: LINEAR: ANGULAR: | | | | FINISH: Brushed Steel | | DEBURR AND BREAK SHARP EDGES | | DO NOT SCALE DRAWING | | REVISION | |
| | | | | | | | | | | | |
| | | | | | | | | TITLE: 100 x 100 Mitred stainless Bollard | | | |
| DRAWN | | | | NAME | | SIGNATURE | | DATE | | DWG NO. B-SM-SS-HL-FL-H1200-100x100 | |
| CHK'D | | | | | | | | | | A3 | |
| APPV'D | | | | | | | | | | SCALE:1:10 | |
| MFG | | | | | | | | | | SHEET 1 OF 1 | |
| Q.A | | | | | | | | MATERIAL: AISI 304 | | | |
| | | | | | | | | WEIGHT: 11353.53 | | | |