

8 7 6 5 4 3 2 1

F

F

E

E

D

D

C

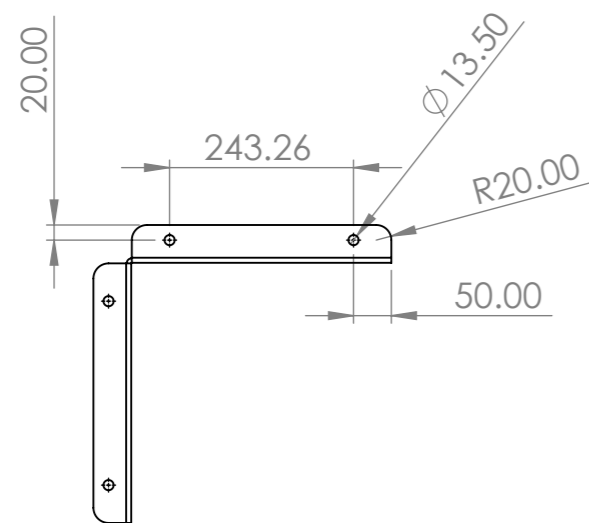
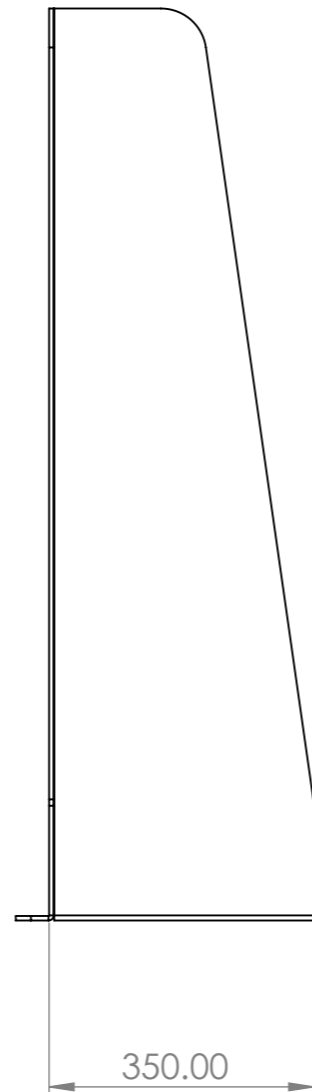
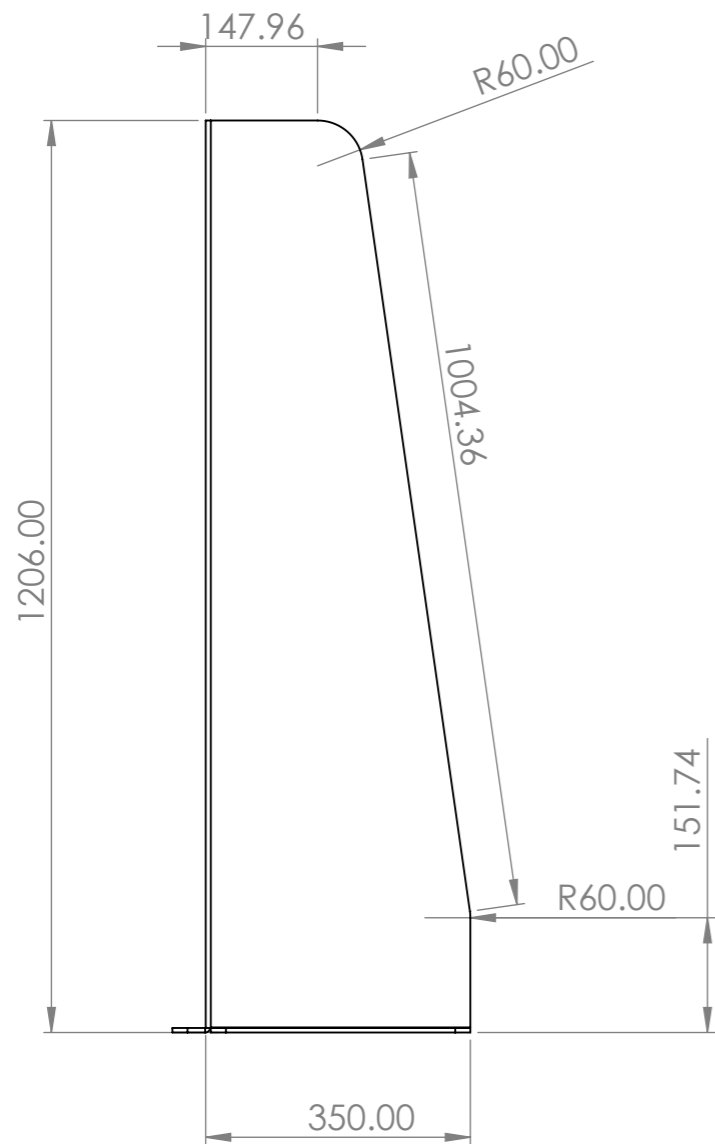
C


B

B

A

A



UNLESS OTHERWISE SPECIFIED: DIMENSIONS ARE IN MILLIMETERS SURFACE FINISH: TOLERANCES: LINEAR: ANGULAR:			FINISH: Powder Coated RAL1023		DEBURR AND BREAK SHARP EDGES	DO NOT SCALE DRAWING	REVISION
							
						TITLE: Be-Safe H1200 Corner Racking Protection	
						DWG NO. BS-CRP-H1200-W350-6MM	A3
						WEIGHT: 32974.51	SCALE: 1:10
						SHEET 1 OF 1	

8 7 6 5 4 3 2 1