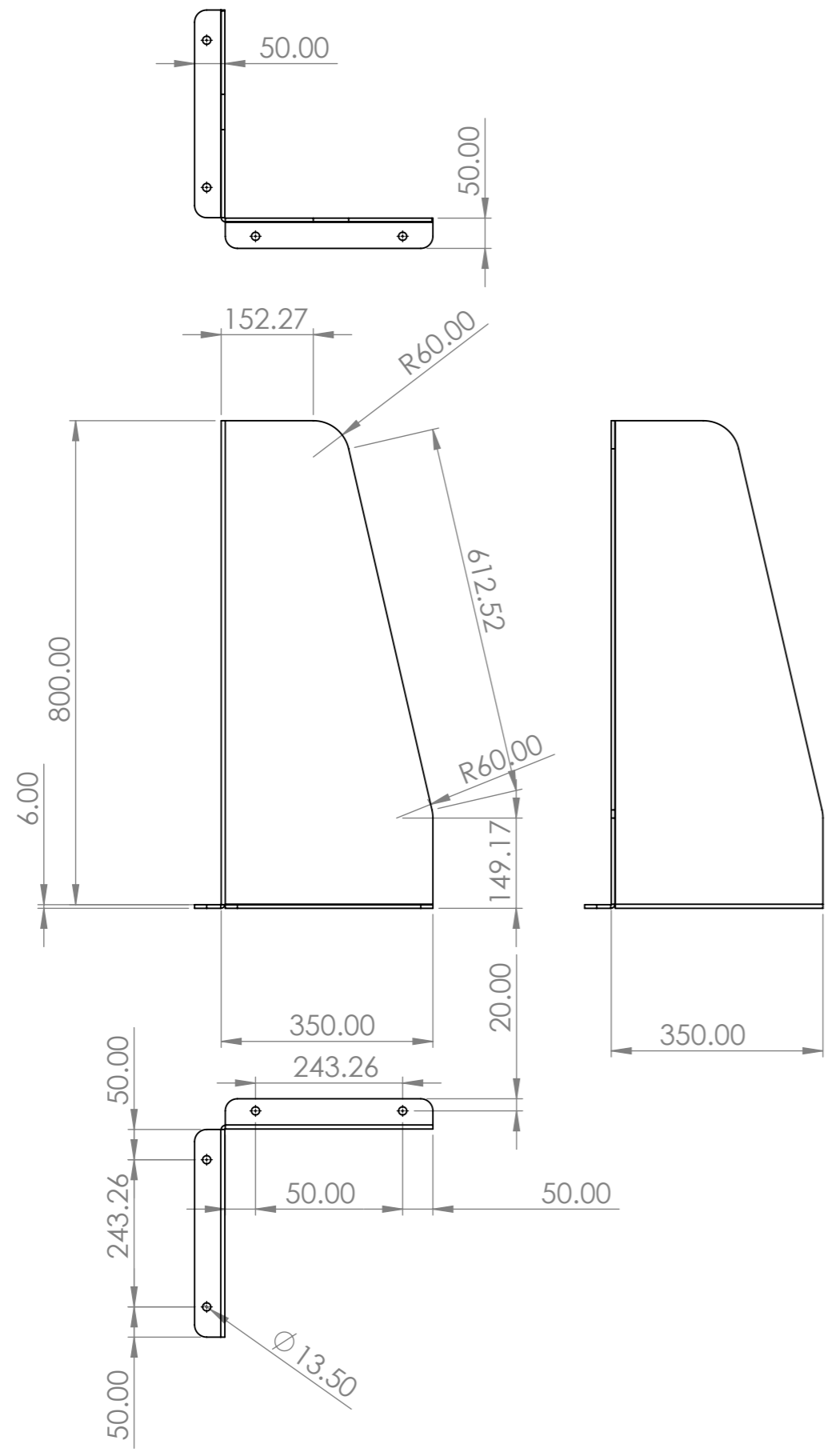


8 7 6 5 4 3 2 1

F
E
D
C
B
A

F
E
D
C
B
A



UNLESS OTHERWISE SPECIFIED: DIMENSIONS ARE IN MILLIMETERS SURFACE FINISH: TOLERANCES: LINEAR: ANGULAR:			FINISH: Galv / Powder coated		DEBURR AND BREAK SHARP EDGES		DO NOT SCALE DRAWING		REVISION		
							TITLE: 800mm high corner racking protector				
DRAWN			NAME		SIGNATURE		DATE		DWG NO. BS-CRP-H800-W350-6MM		
CHK'D									A3		
APPV'D									SCALE: 1:10		
MFG									SHEET 1 OF 1		
Q.A							MATERIAL: Plain Carbon Steel		WEIGHT: 22830.61		

8 7 6 5 4 3 2 1