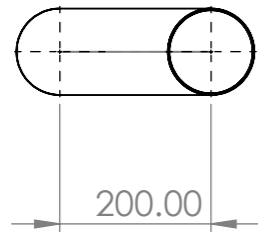


8 7 6 5 4 3 2 1

F

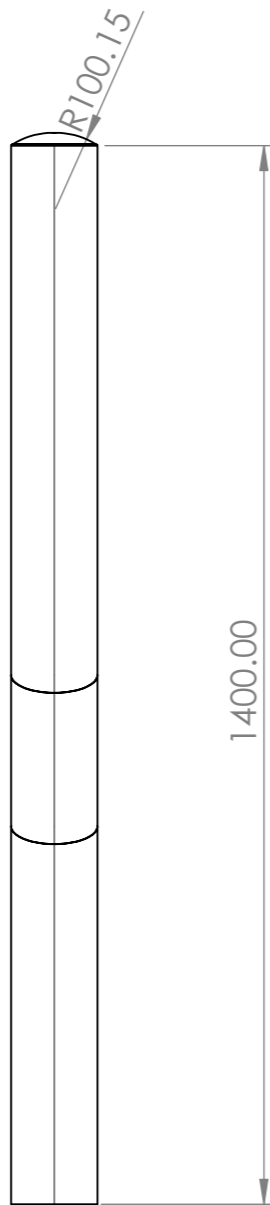
F



200.00

E

E

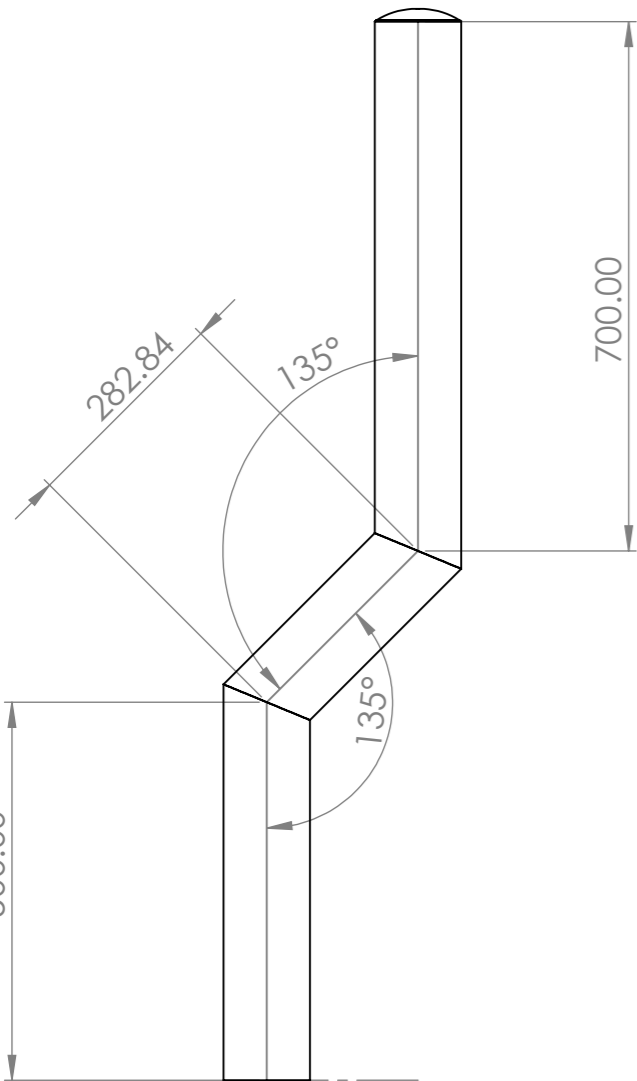


1400.00

R100.15

D

D



500.00

282.84

135°

135°

700.00

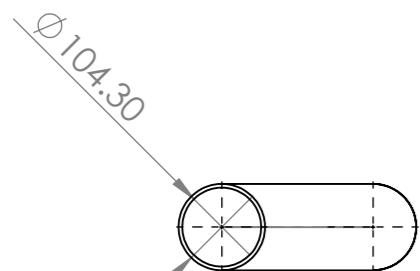
C

C



B

B



Ø104.30

Ø114.30

A

A

UNLESS OTHERWISE SPECIFIED: DIMENSIONS ARE IN MILLIMETERS SURFACE FINISH: TOLERANCES: LINEAR: ANGULAR:				FINISH: Galvanized		DEBURR AND BREAK SHARP EDGES		DO NOT SCALE DRAWING		REVISION	
								TITLE: Cranked Semi Domed Galvanized Bollard			
DRAWN				NAME		SIGNATURE		DATE		DWG NO. CB-SD-G-H1400-D114.3	
CHK'D										A3	
APPV'D										SCALE:1:10	
MFG										SHEET 1 OF 1	
Q.A								MATERIAL: Galvanized Steel			
								WEIGHT: 20202.37			

8 7 6 5 4 3 2 1