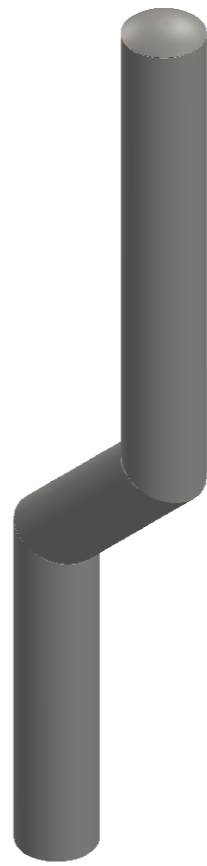
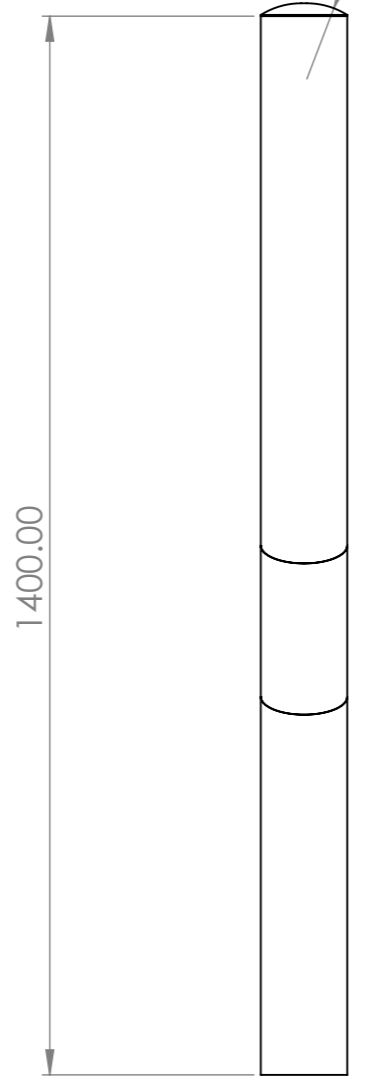
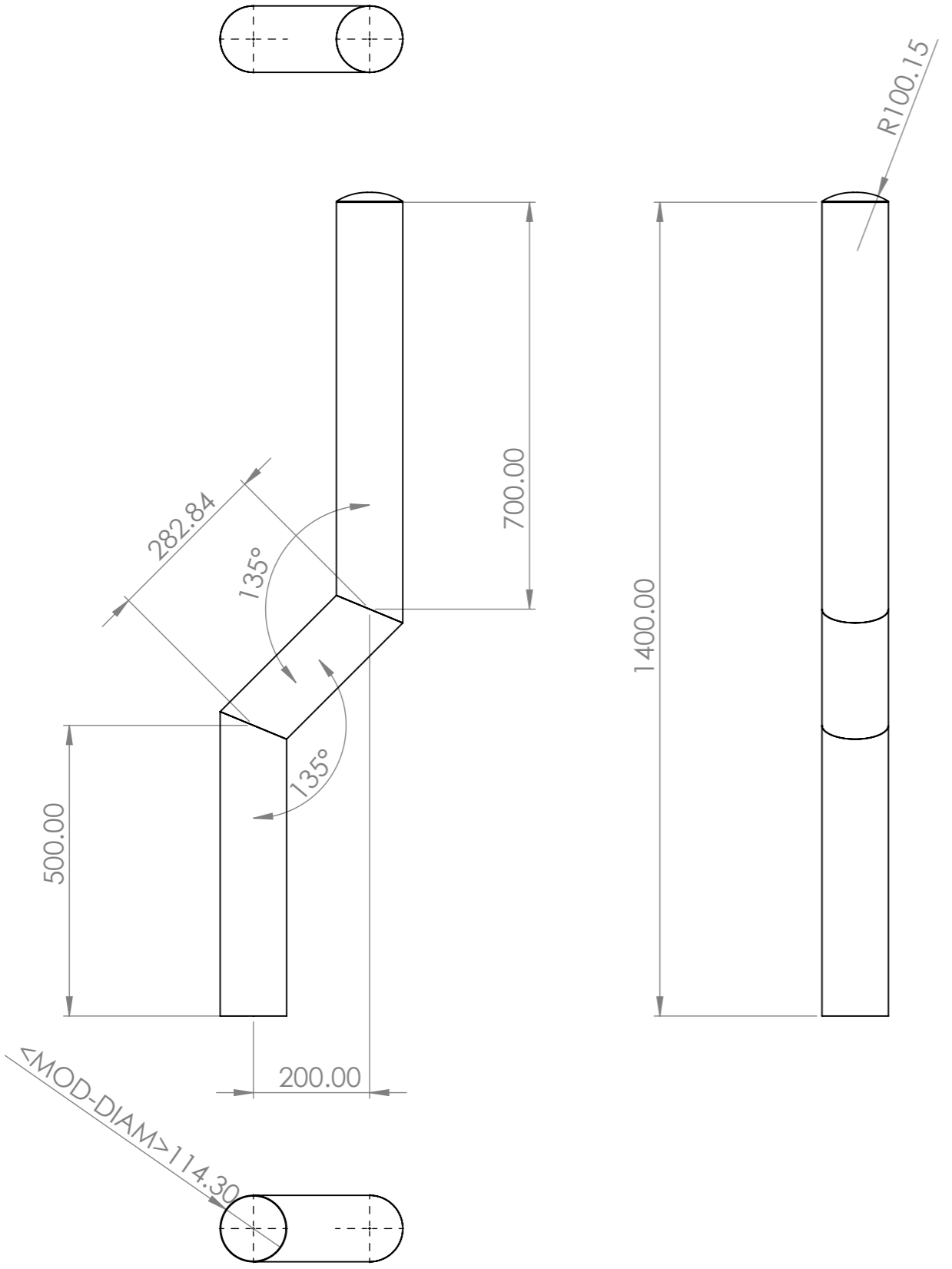



8 7 6 5 4 3 2 1

F
E
D
C
B
A

F
E
D
C
B
A



UNLESS OTHERWISE SPECIFIED: DIMENSIONS ARE IN MILLIMETERS SURFACE FINISH: TOLERANCES: LINEAR: ANGULAR:			FINISH: Brushed Steel		DEBURR AND BREAK SHARP EDGES		DO NOT SCALE DRAWING		REVISION				
													
DRAWN							TITLE: Cranked Semi Domed Stainless Steel Bollard						
CHK'D													
APPV'D													
MFG													
Q.A							MATERIAL: AISI 304		DWG NO. CB-SD-SS-H1400-D114.3			A3	
							WEIGHT: 4395.62		SCALE:1:10			SHEET 1 OF 1	

8 7 6 5 4 3 2 1

A

A