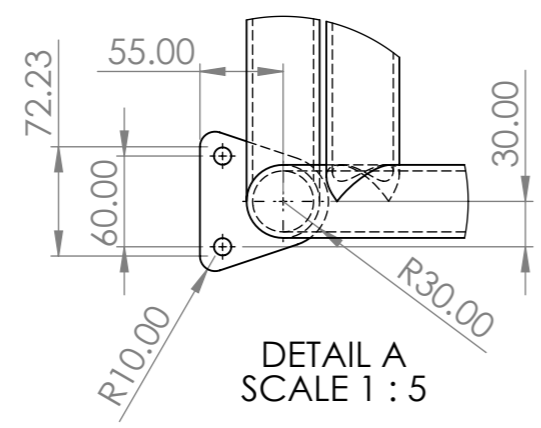
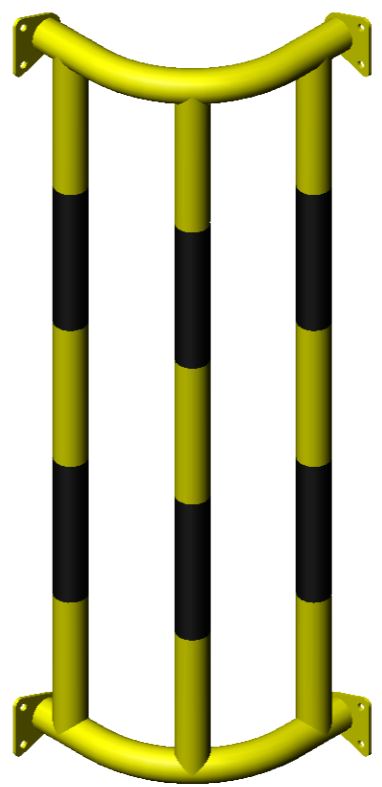
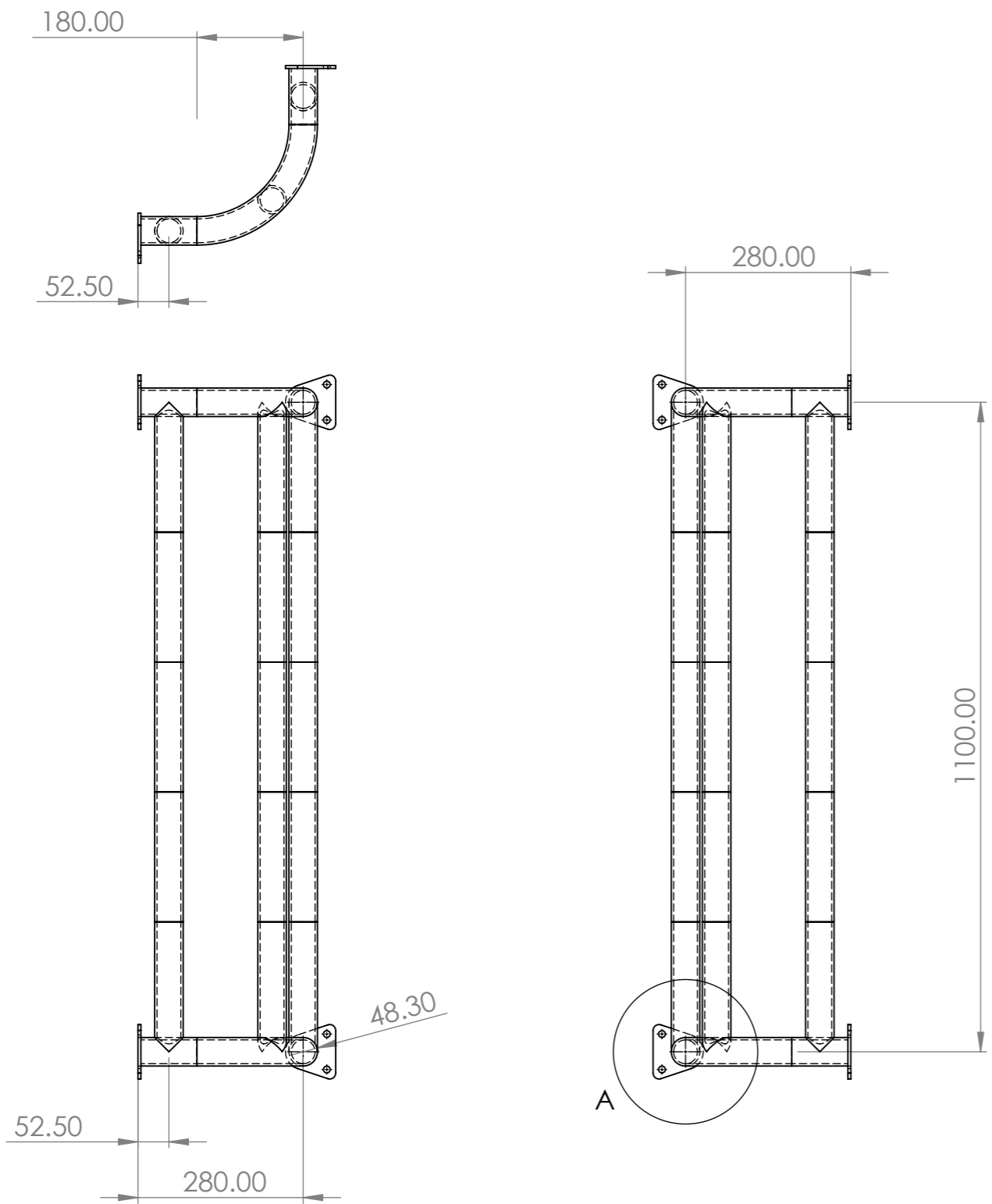



REV	REVISION NOTES	REVISION BY	REVISION DATE
1			
2			
3			
4			



 METAL PRODUCTS DIRECT	UNLESS OTHERWISE SPECIFIED: DIMENSIONS ARE IN MILLIMETERS TOLERANCES: X: 2.5 X.XX: 0.13 X.X: 0.25 X.XXX: 0.013	CUSTOMER:	
	MATERIAL: Plain Carbon Steel	DESCRIPTION: Corner vertical pipe protector 1100mm high 250mm wide	
17 Bridge Street Pendlebury Manchester M27 4DU	FINISH: WEIGHT: Kg 19.1	DWG NO: CVPP-WF-H1100-W250-L250	REV:
DEBUR AND BREAK SHARP EDGES DO NOT SCALE DRAWING IF IN DOUBT ASK!	BY: _____ DATE: _____ DRAWN: _____ CHECKED: _____ APPROVED: _____	SHEET SCALE: 1:10	SHEET SIZE: A3 SHEET NUMBER: 1 OF 1