

8 7 6 5 4 3 2 1

F

F

E

E

D

D

C

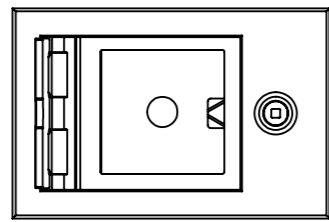
C

B

B

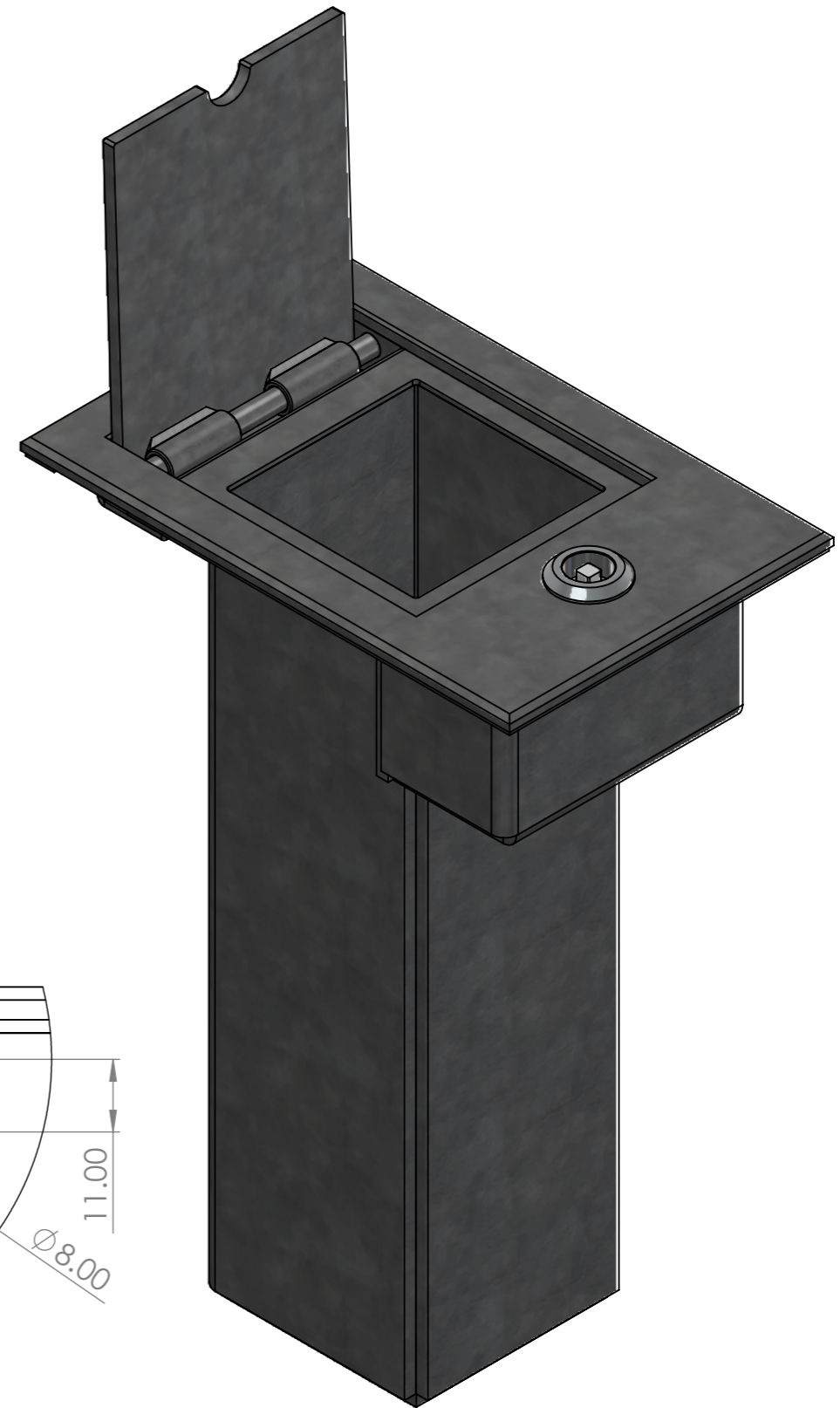
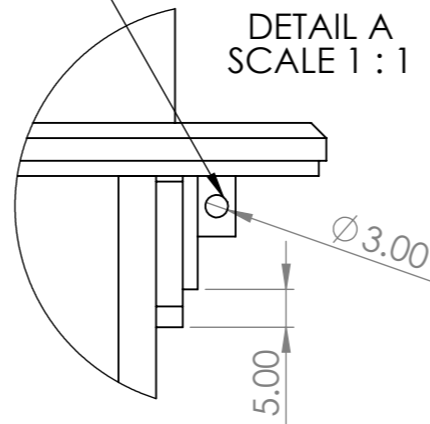
A

A

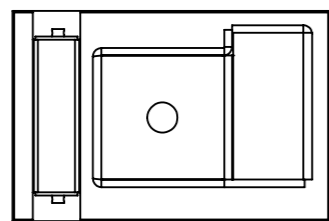
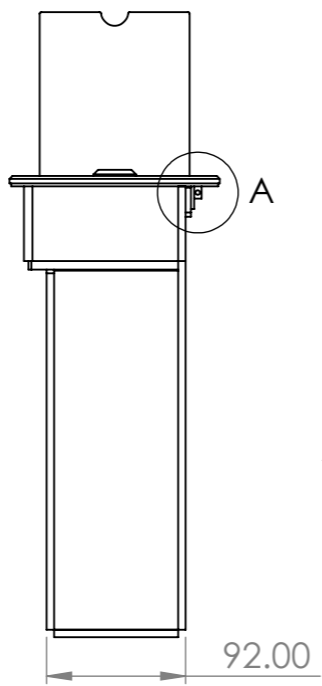
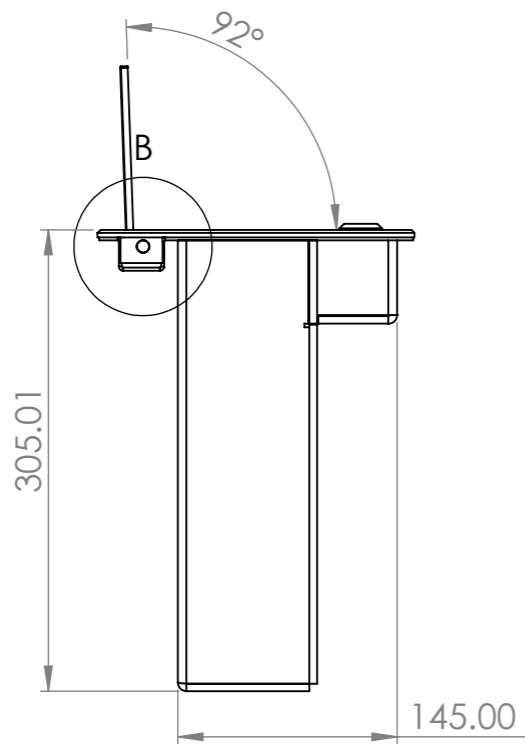
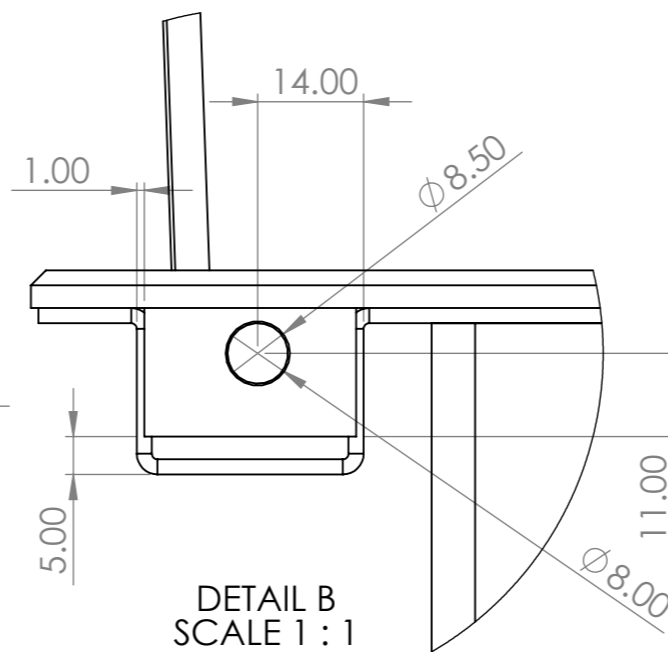


2no 3mm holes for stainless steel split pin

DETAIL A
SCALE 1:1

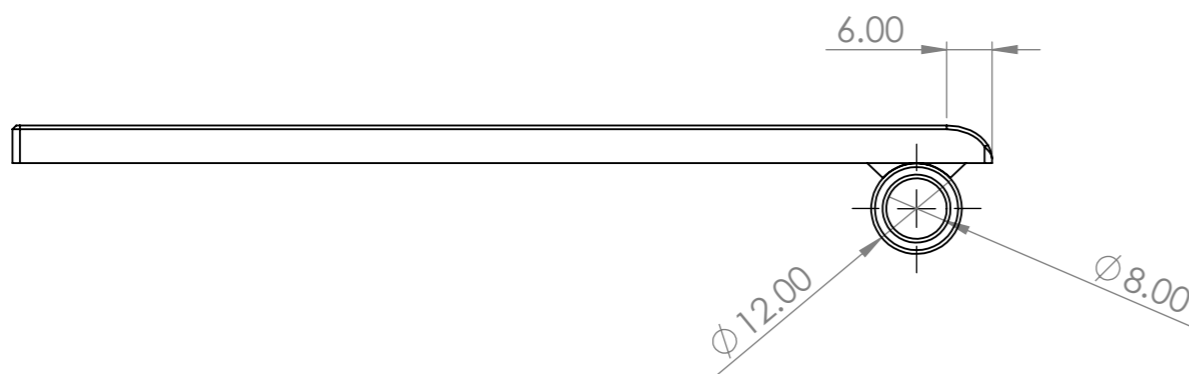
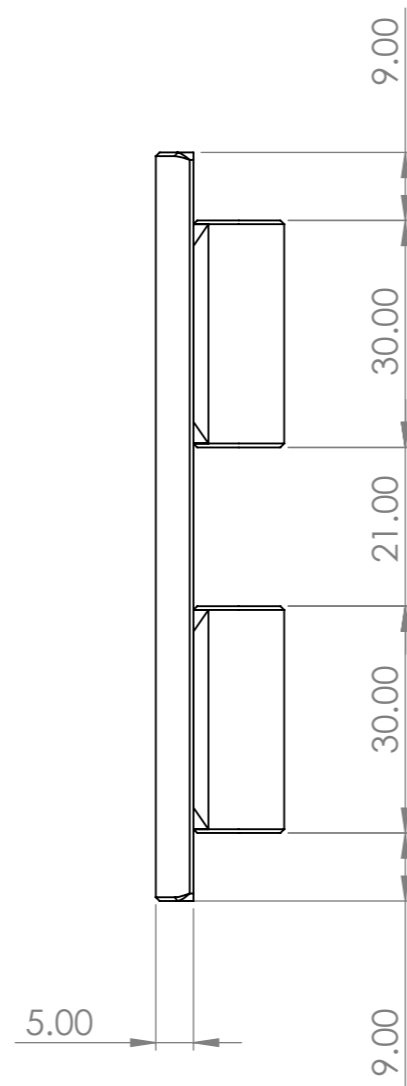
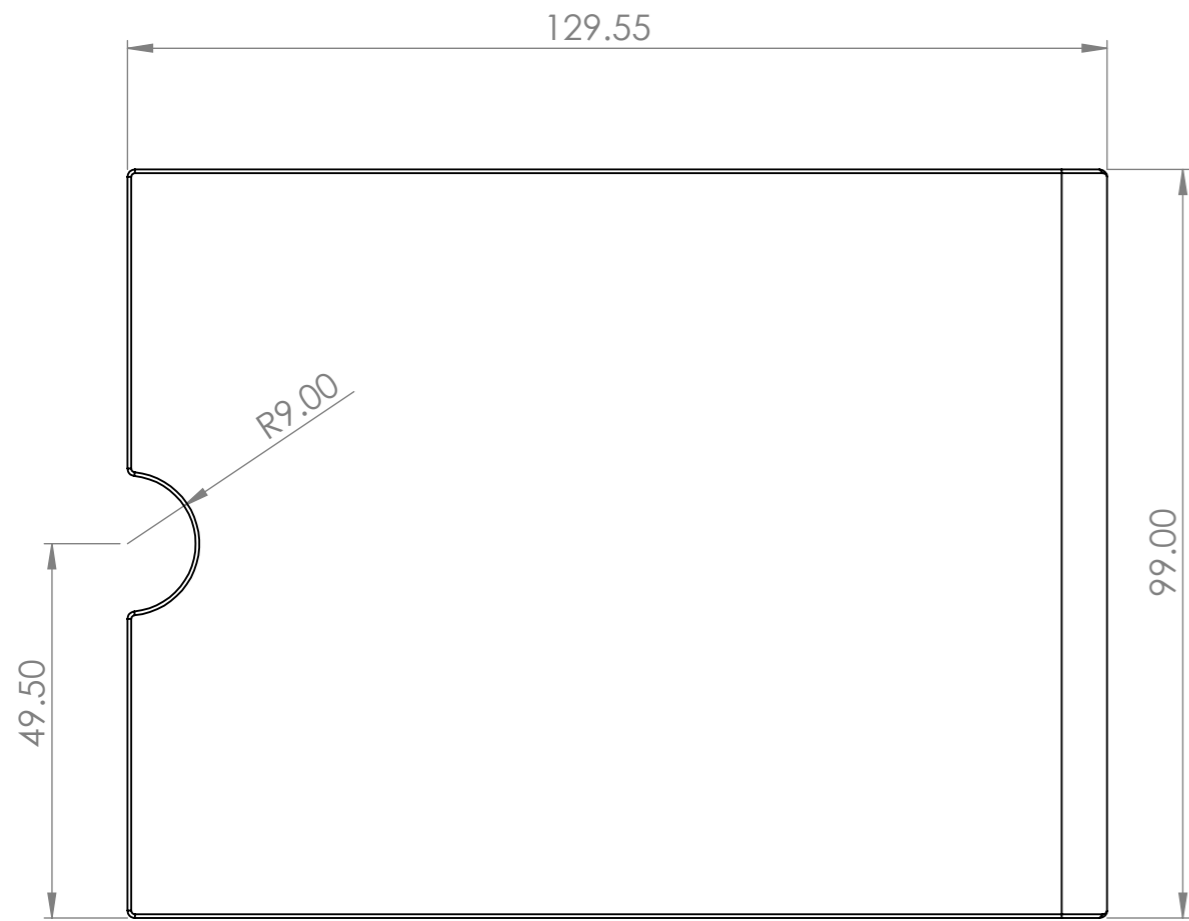


DETAIL B
SCALE 1:1



UNLESS OTHERWISE SPECIFIED: DIMENSIONS ARE IN MILLIMETERS SURFACE FINISH: TOLERANCES: LINEAR: ANGULAR:			FINISH: Galvanized		DEBURR AND BREAK SHARP EDGES		DO NOT SCALE DRAWING		REVISION		
DRAWN			NAME		SIGNATURE		DATE		TITLE: 80 x 80 Galv Socket		
CHK'D									DWG NO. Galv 80 x 80 Socket Asy		
APPV'D									A3		
MFG									SCALE:1:5		
Q.A							MATERIAL: Mild Steel		SHEET 1 OF 6		
							WEIGHT: 6155.64				

8 7 6 5 4 3 2 1



UNLESS OTHERWISE SPECIFIED: DIMENSIONS ARE IN MILLIMETERS SURFACE FINISH: TOLERANCES: LINEAR: ANGULAR:			FINISH: Galvanized		DEBURR AND BREAK SHARP EDGES		DO NOT SCALE DRAWING		REVISION			
							TITLE: 80 x 80 Galv Flip Lid					
							DWG NO. Galv 80 x 80 Socket Asy				A3	
							WEIGHT: 6155.64		SCALE: 1:1		SHEET 2 OF 6	
DRAWN	NAME	SIGNATURE	DATE									
CHK'D												
APPV'D												
MFG												
Q.A												

8 7 6 5 4 3 2 1

F

F

E

E

D

D

C

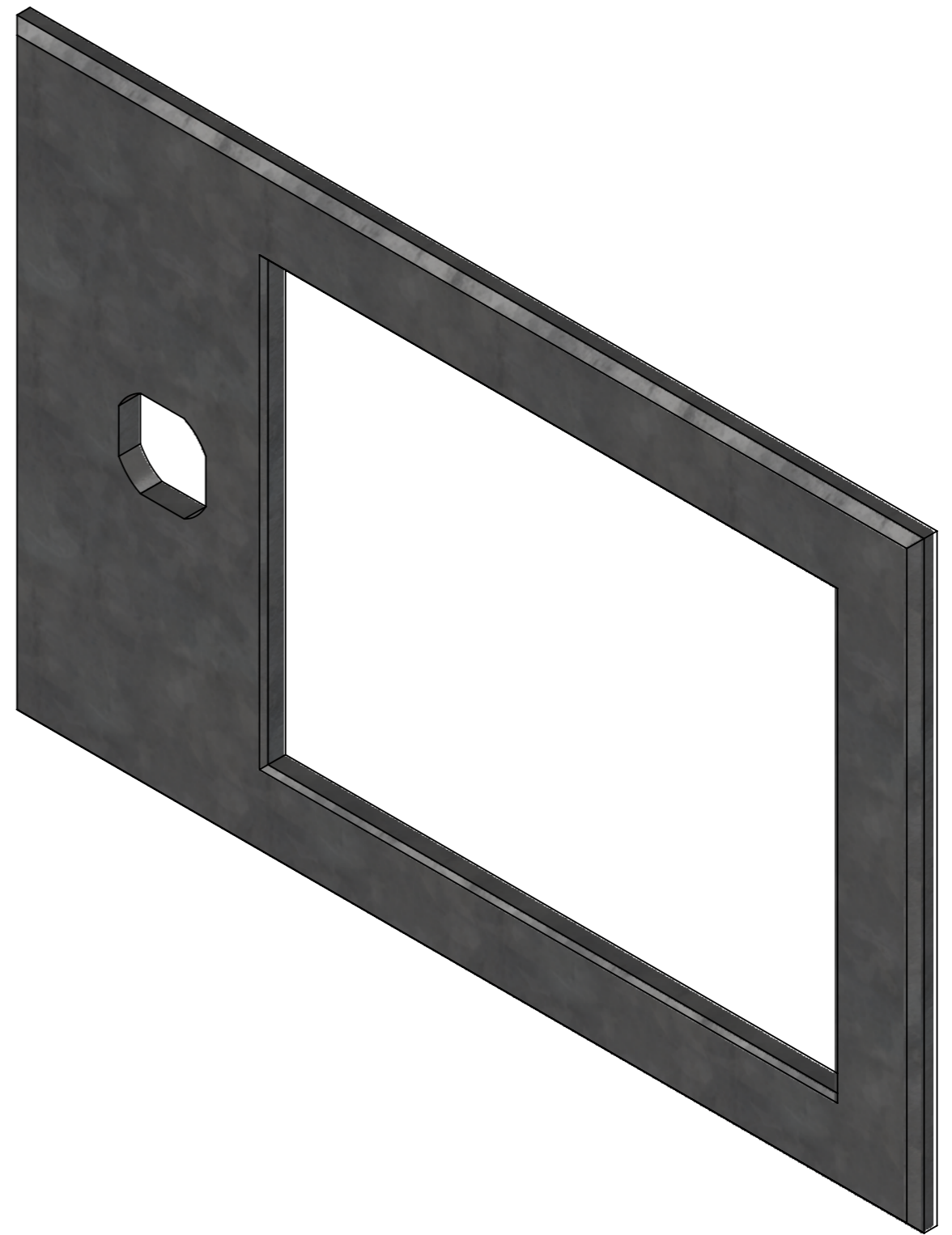
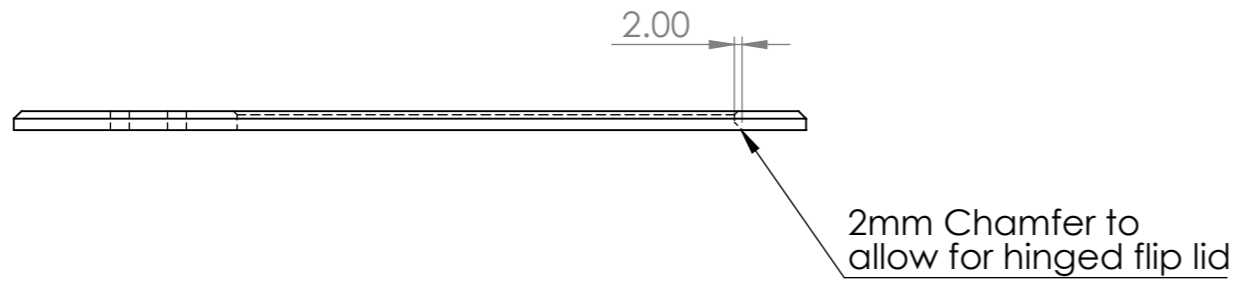
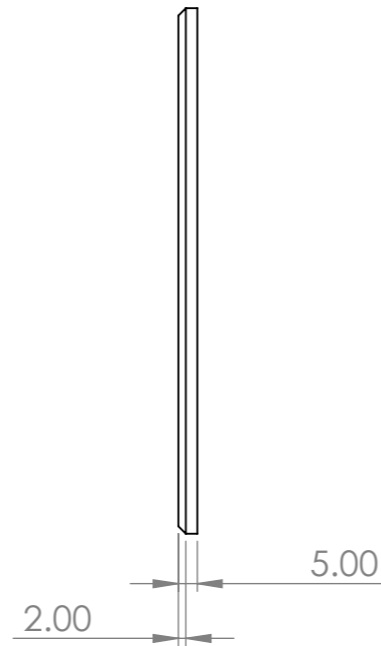
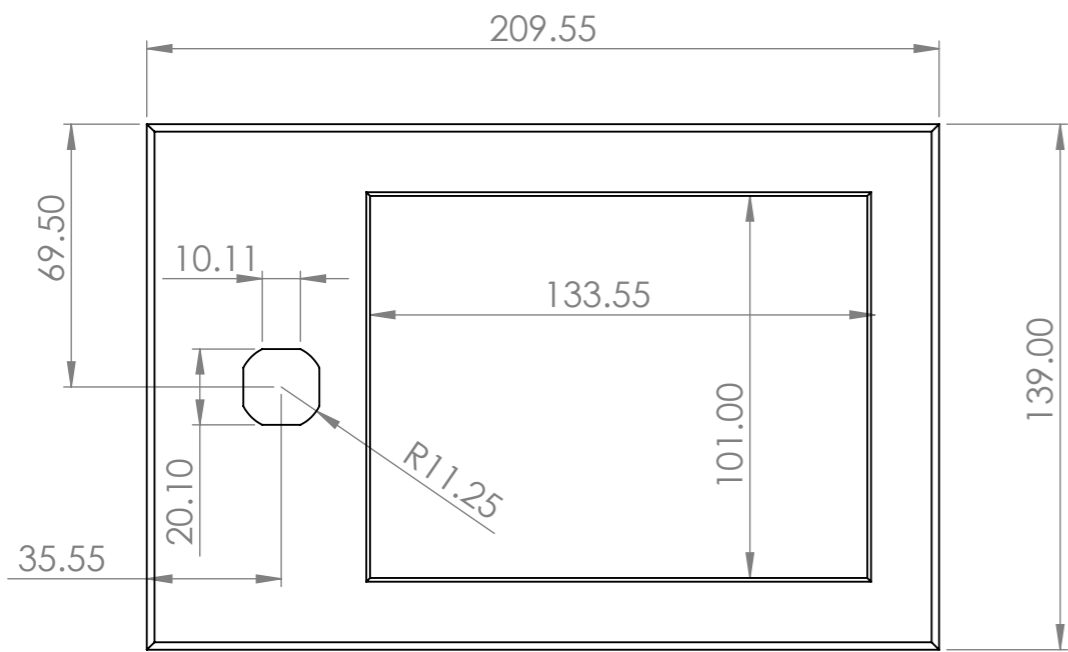
C


B

B

A

A



UNLESS OTHERWISE SPECIFIED: DIMENSIONS ARE IN MILLIMETERS SURFACE FINISH: TOLERANCES: LINEAR: ANGULAR:			FINISH: Galvanized		DEBURR AND BREAK SHARP EDGES		DO NOT SCALE DRAWING		REVISION			
												
							TITLE: 80 x 80 Galv Ground Plate					
							DWG NO. Galv 80 x 80 Socket Asy				A3	
							SCALE: 1:1				SHEET 3 OF 6	
DRAWN		NAME		SIGNATURE		DATE		MATERIAL: Mild Steel		WEIGHT: 6155.64		
CHK'D												
APPV'D												
MFG												
Q.A												

8 7 6 5 4 3 2 1

8 7 6 5 4 3 2 1

F

F

E

E

D

D

C

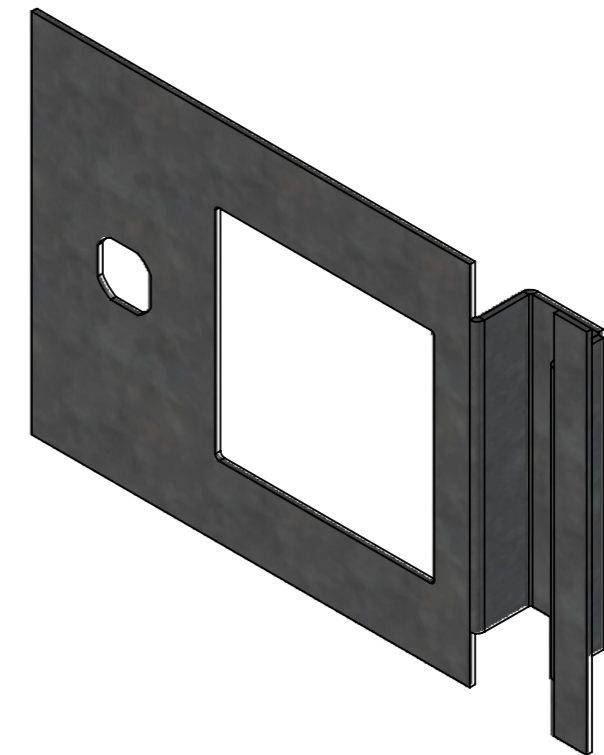
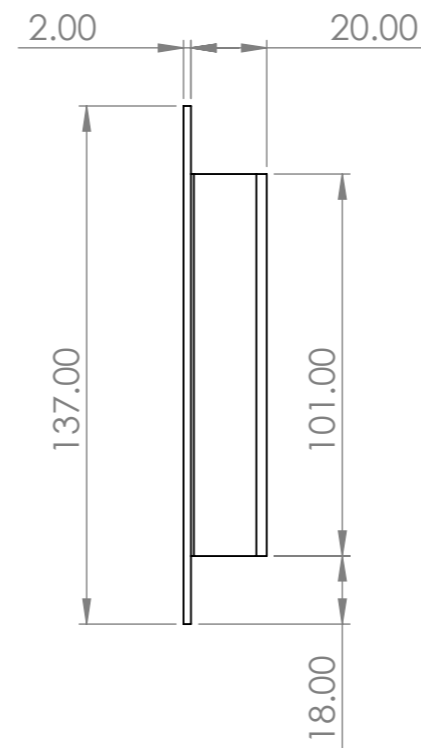
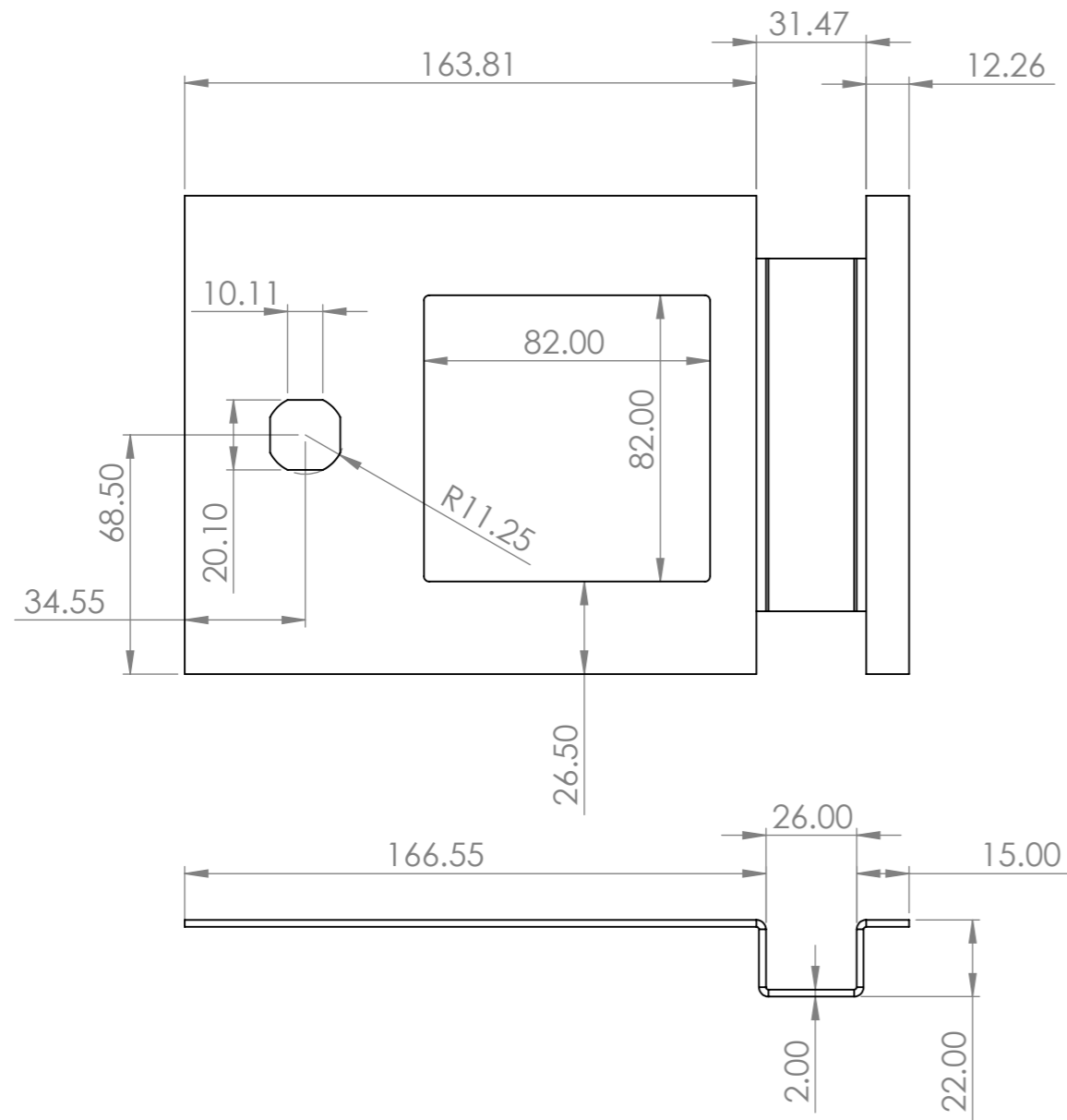
C

B

B

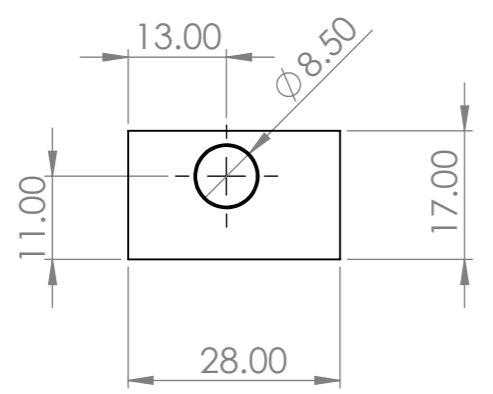
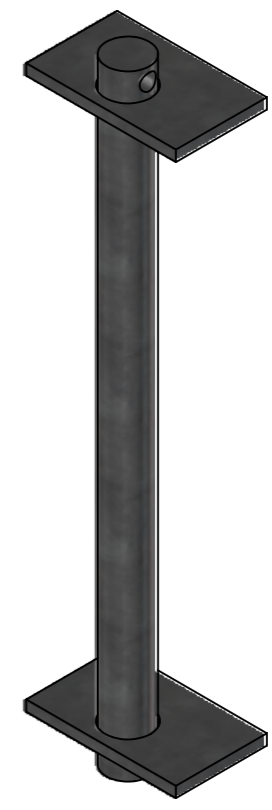
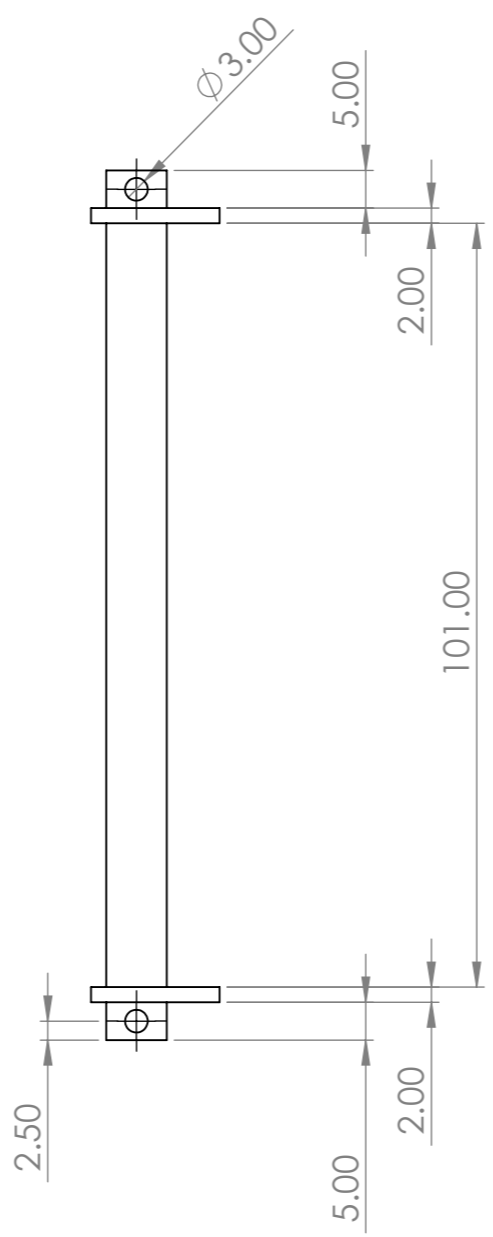
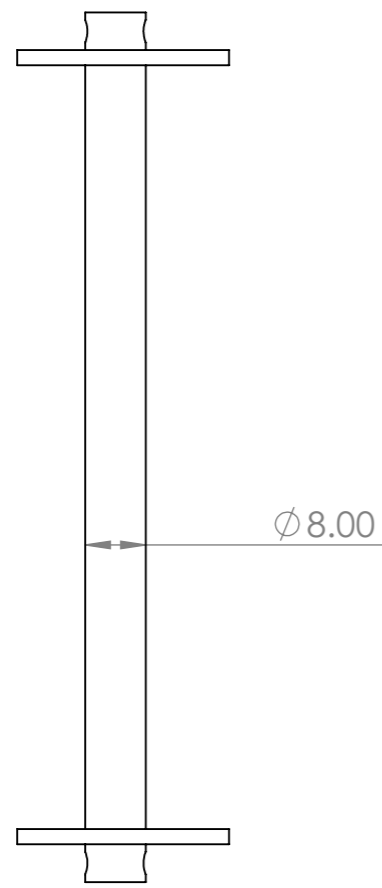
A

A

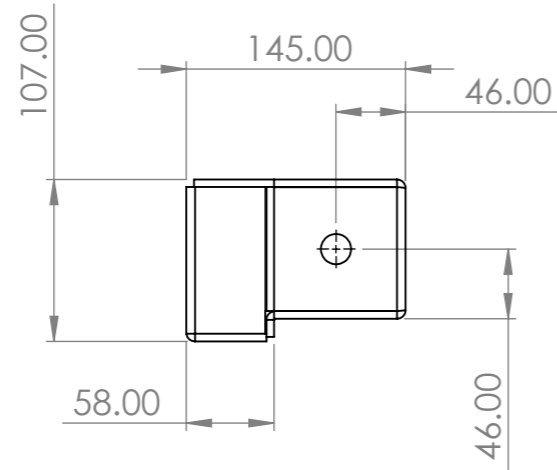
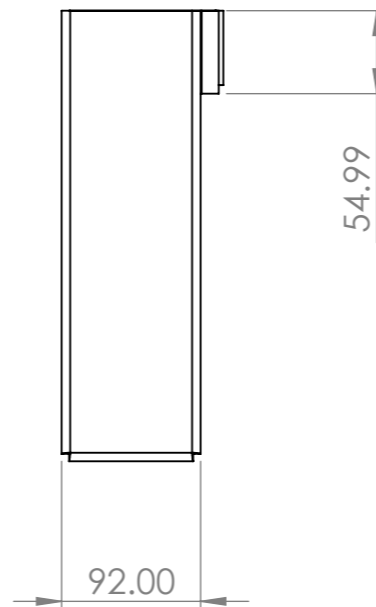
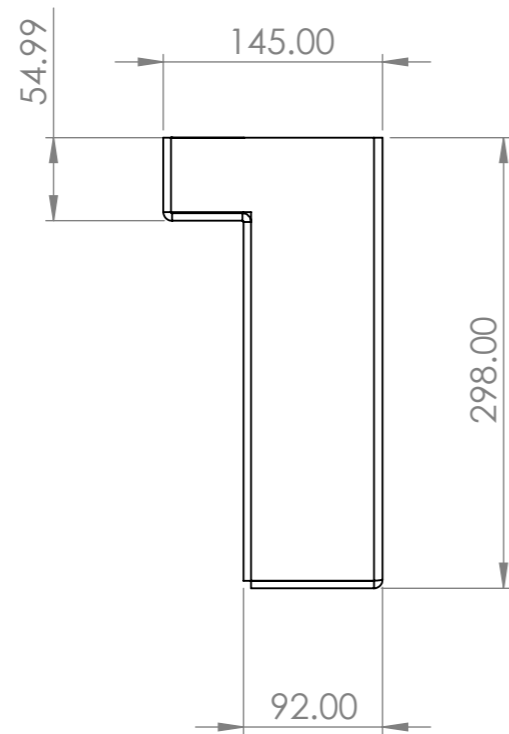
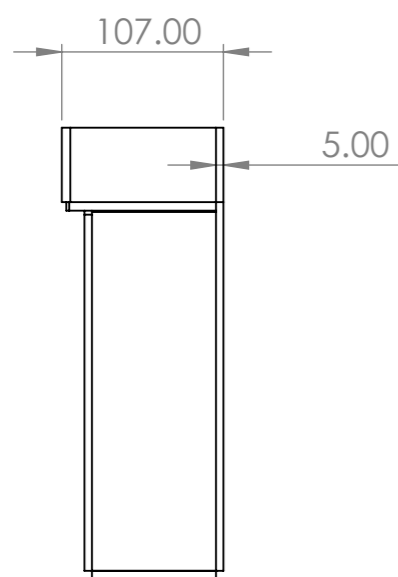
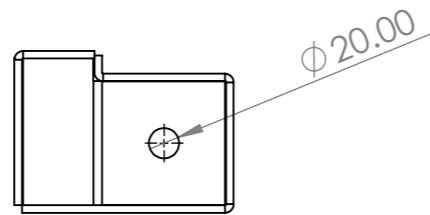



UNLESS OTHERWISE SPECIFIED: DIMENSIONS ARE IN MILLIMETERS SURFACE FINISH: TOLERANCES: LINEAR: ANGULAR:			FINISH: Galvanized		DEBURR AND BREAK SHARP EDGES		DO NOT SCALE DRAWING		REVISION			
							TITLE: 80 x 80 Galv Guide Plate					
							DWG NO. Galv 80 x 80 Socket Asy				A3	
							MATERIAL: Mild Steel		SCALE: 1:2		SHEET 4 OF 6	
							WEIGHT: 6155.64					
NAME	SIGNATURE	DATE										
DRAWN												
CHK'D												
APPV'D												
MFG												
Q.A												

8 7 6 5 4 3 2 1



UNLESS OTHERWISE SPECIFIED: DIMENSIONS ARE IN MILLIMETERS SURFACE FINISH: TOLERANCES: LINEAR: ANGULAR:			FINISH: Galvanized		DEBURR AND BREAK SHARP EDGES		DO NOT SCALE DRAWING		REVISION			
							TITLE: 80 x 80 Galvanized Hinge					
							DWG NO. Galv 80 x 80 Socket Asy				A3	
							SCALE: 1:1				SHEET 5 OF 6	
DRAWN			NAME		SIGNATURE		DATE					
CHK'D												
APPV'D												
MFG												
Q.A							MATERIAL: Mild Steel					
							WEIGHT: 6155.64					



UNLESS OTHERWISE SPECIFIED: DIMENSIONS ARE IN MILLIMETERS SURFACE FINISH: TOLERANCES: LINEAR: ANGULAR:			FINISH: Galvanized		DEBURR AND BREAK SHARP EDGES		DO NOT SCALE DRAWING		REVISION			
												
							TITLE: 80 x 80 Galv Socket					
							DWG NO. Galv 80 x 80 Socket Asy				A3	
							MATERIAL: Mild Steel		SCALE:1:5		SHEET 6 OF 6	
							WEIGHT: 6155.64					
DRAWN	NAME	SIGNATURE	DATE									
CHK'D												
APPV'D												
MFG												
Q.A												