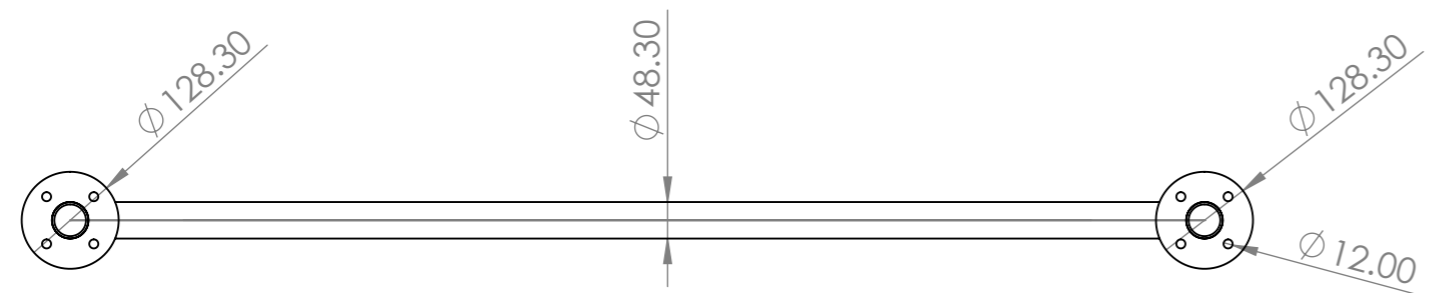
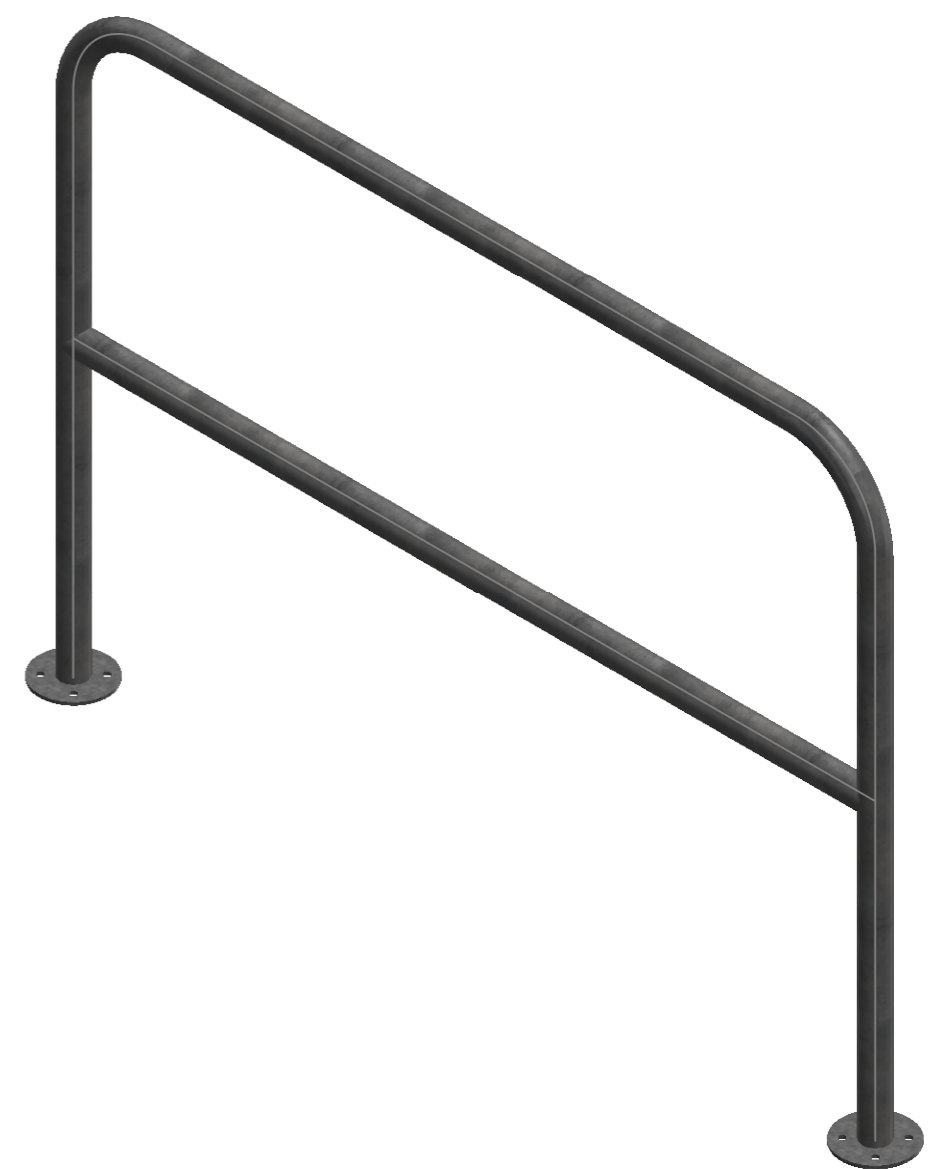
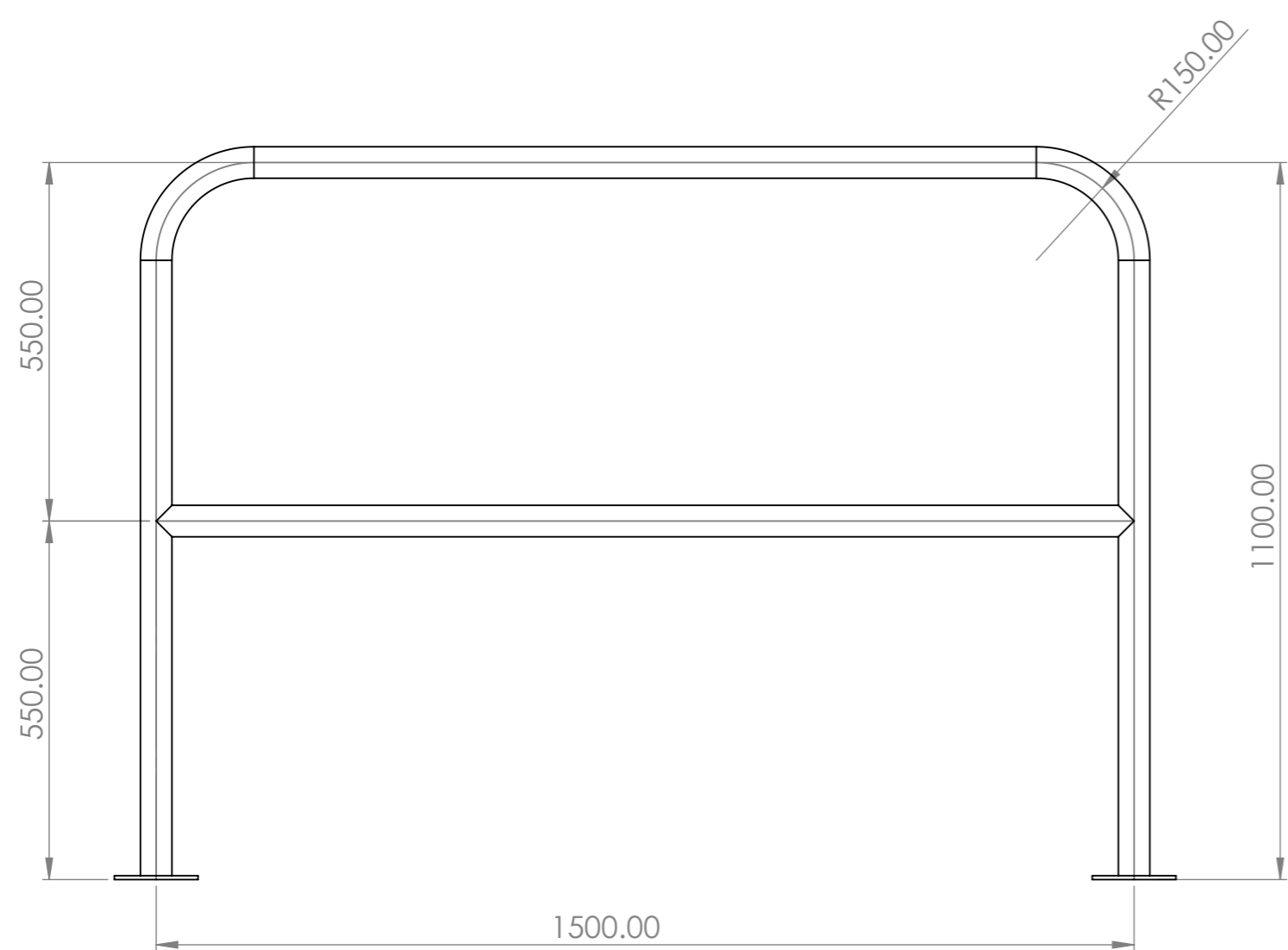



8 7 6 5 4 3 2 1

F  
E  
D  
C  
B  
A

F  
E  
D  
C  
B  
A



UNLESS OTHERWISE SPECIFIED: DIMENSIONS ARE IN MILLIMETERS SURFACE FINISH: TOLERANCES: LINEAR: ANGULAR:			FINISH:  Galv/ powdercoated		DEBURR AND BREAK SHARP EDGES		DO NOT SCALE DRAWING		REVISION			
												
DRAWN			NAME		SIGNATURE				DATE		TITLE: L1500mm x H1100mm x 48.3Dia Hooped Barrier with cross bar	
CHK'D												
APPV'D												
MFG												
Q.A							MATERIAL:  mild steel		DWG NO. HB-BD-G-CB-L1500-H1100-D48.3			
							WEIGHT: 18977.34		SCALE:1:10			
									SHEET 1 OF 1			
									A3			

8 7 6 5 4 3 2 1

A

A