

8 7 6 5 4 3 2 1

F

F

E

E

D

D

C

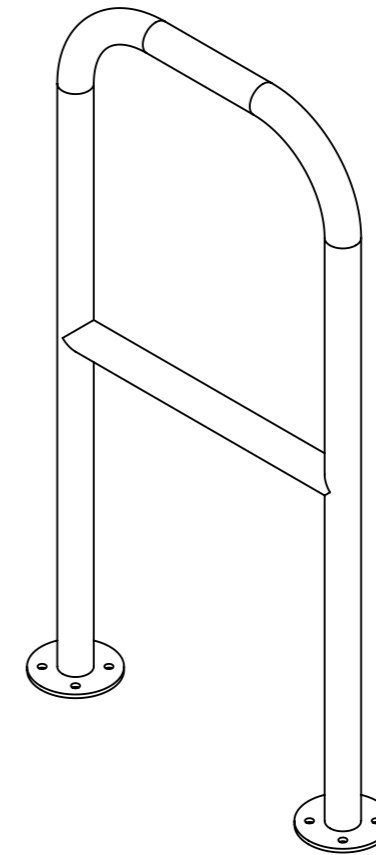
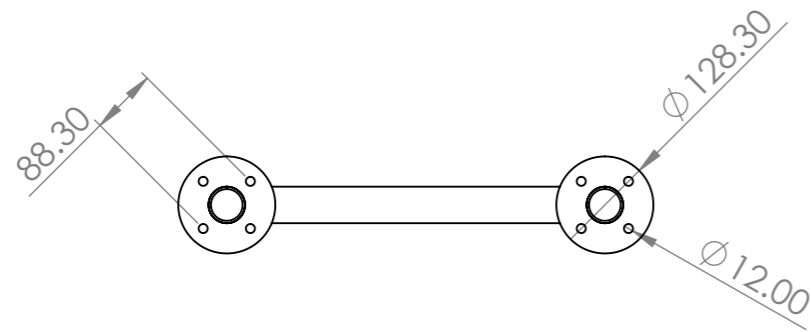
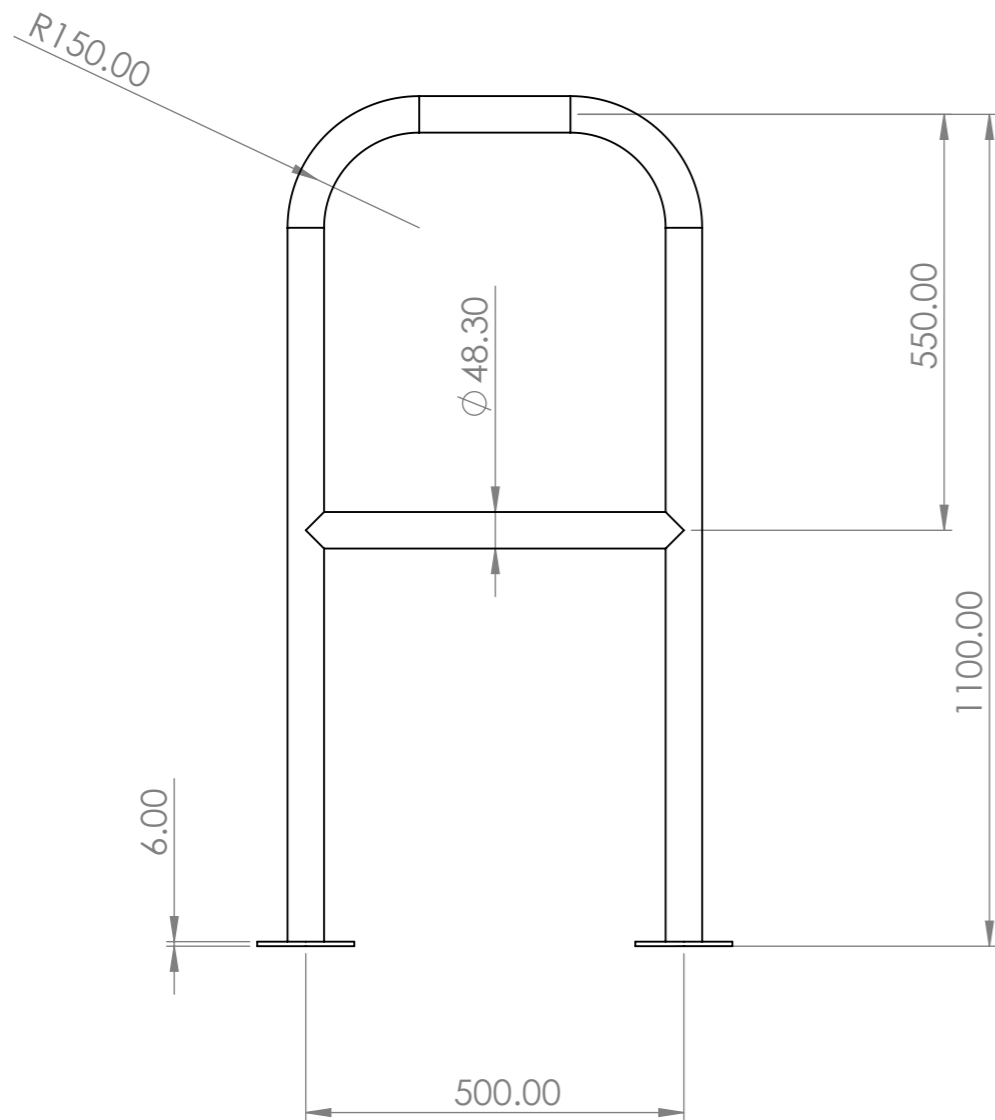
C

B

B

A

A



UNLESS OTHERWISE SPECIFIED: DIMENSIONS ARE IN MILLIMETERS SURFACE FINISH: TOLERANCES: LINEAR: ANGULAR:			FINISH: Galv/ powdercoated		DEBURR AND BREAK SHARP EDGES		DO NOT SCALE DRAWING		REVISION		
							TITLE: L500 x H1100 x 48.3mm Hooped barrier with cross bar				
DRAWN			NAME		SIGNATURE		DATE		DWG NO. HB-BD-G-CB-L500-H1100-D48.3		
CHK'D									A3		
APPV'D									SCALE:1:10		
MFG									SHEET 1 OF 1		
Q.A							MATERIAL: Mild Steel				
							WEIGHT: 11841.27				

8 7 6 5 4 3 2 1