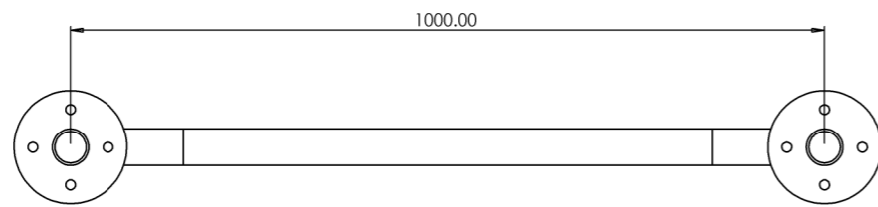
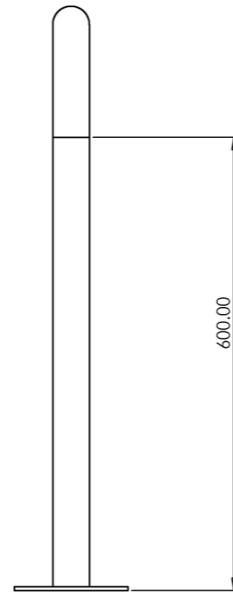
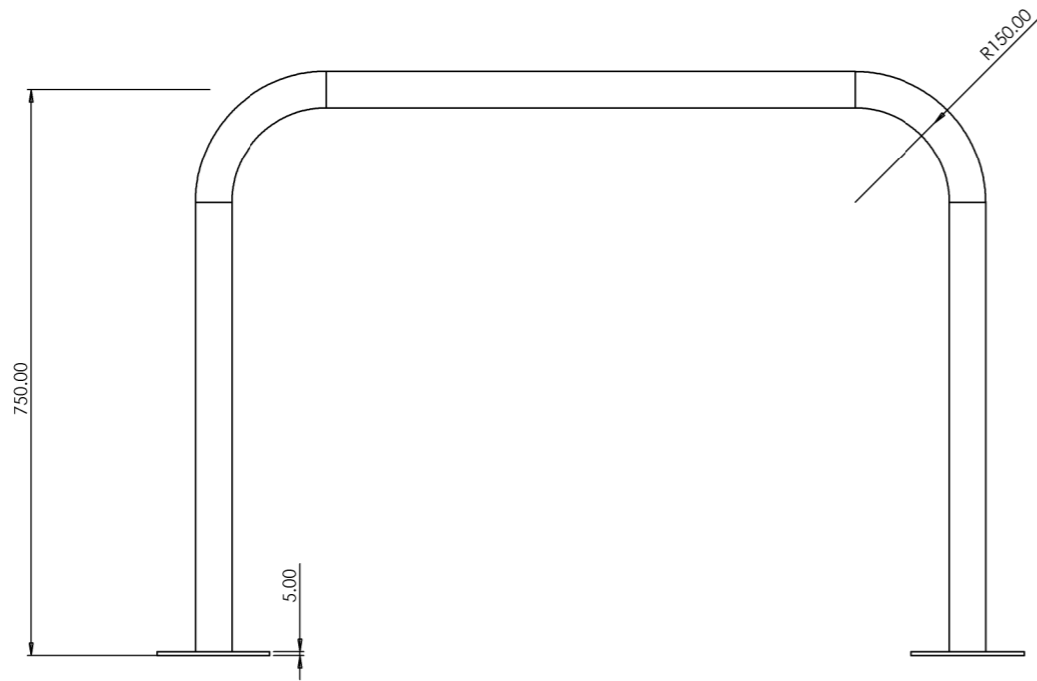
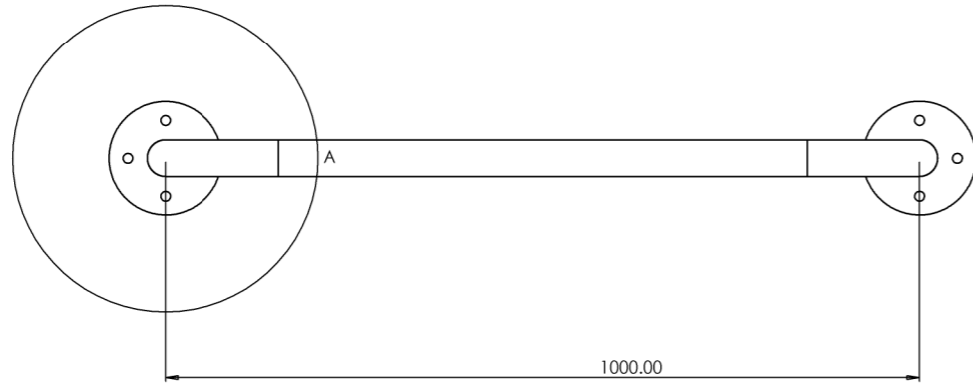


DETAIL A
SCALE 2:5



UNLESS OTHERWISE SPECIFIED: DIMENSIONS ARE IN MILLIMETERS		MATERIAL: Galvanized		FINISH AND BREAK SHARP EDGES		DO NOT SCALE DRAWING		REVISION		
SURFACE FINISH:										
TOLERANCES:										
LINEAR:										
ANGULAR:										
DATE:	NAME:	SIGNATURE:	DATE:							
2024.01	Leo H. Brown		12/26/23							
DESIGN:										
APP'VE:										
DATE:										
12.26.23										
				MATERIAL:		Mild steel		DWG NO:		
								HB-BD-G-L1000-H750-D48.3		
								SCALE: 1:5		
								SHEET 1 OF 1		

Hooped Barrier/
Bolted Down

HB-BD-G-L1000-H750-D48.3 A1