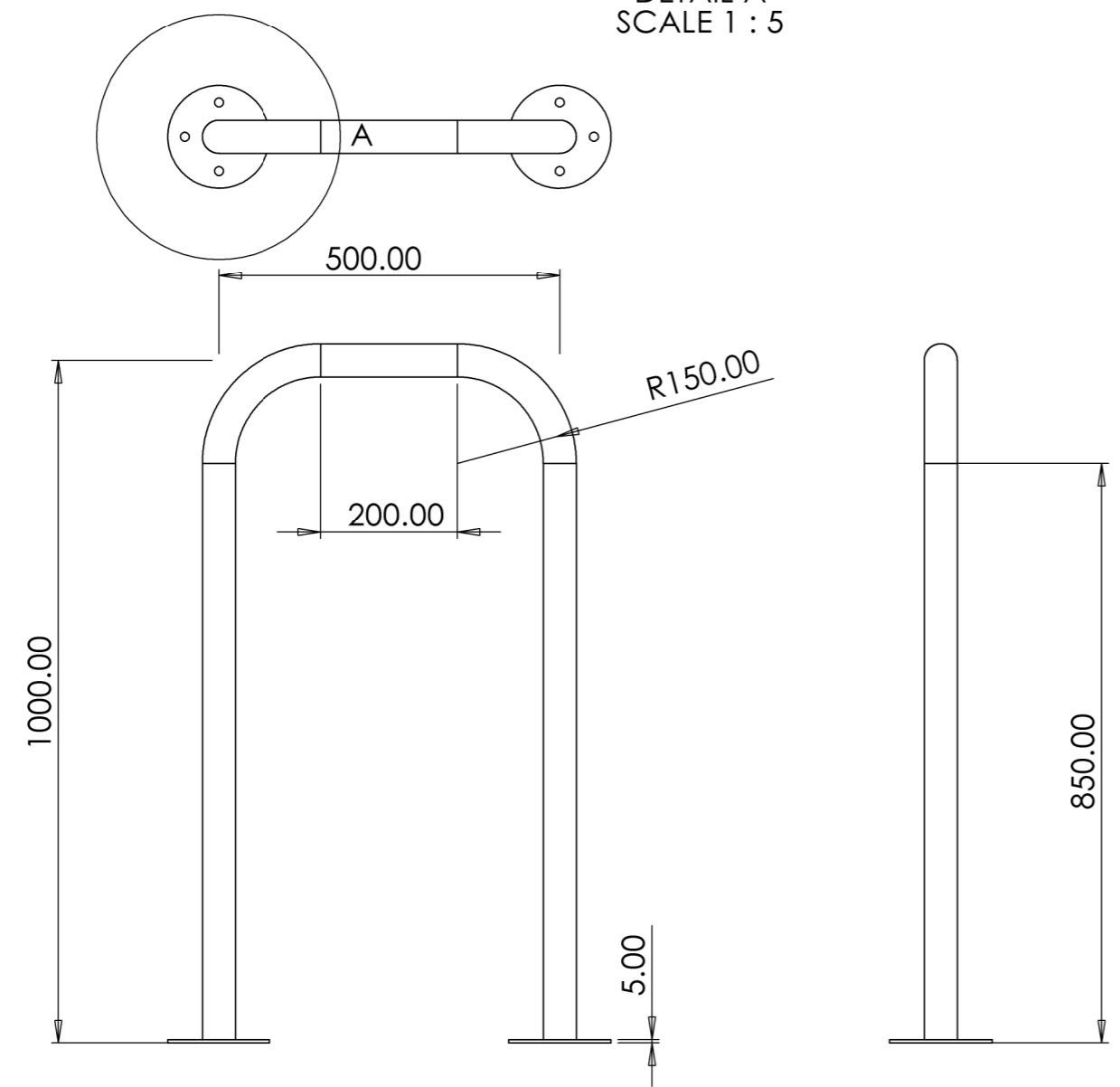


DETAIL A  
SCALE 1 : 5



UNLESS OTHERWISE SPECIFIED: DIMENSIONS ARE IN MILLIMETERS SURFACE FINISH: TOLERANCES: LINEAR: ANGULAR:				FINISH:  Galvanized		DEBURR AND BREAK SHARP EDGES		DO NOT SCALE DRAWING		REVISION 1	
DRAWN Lee Hickman				SIGNATURE		DATE 12/06/19		TITLE: <b>Hooped Barrier/ Bolt Down</b>			
CHK'D											
APPV'D											
MFG											
Q.A						MATERIAL: Mild Steel		DWG NO. HB-BD-G-L500-H1000-D48.3		A3	
						Weight 9.93 KG		SCALE:1:10		SHEET 1 OF 1	