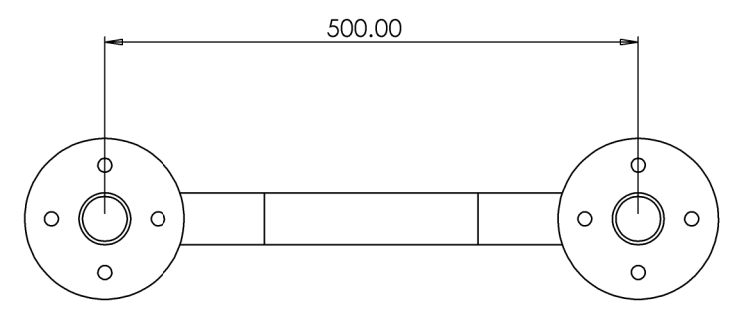
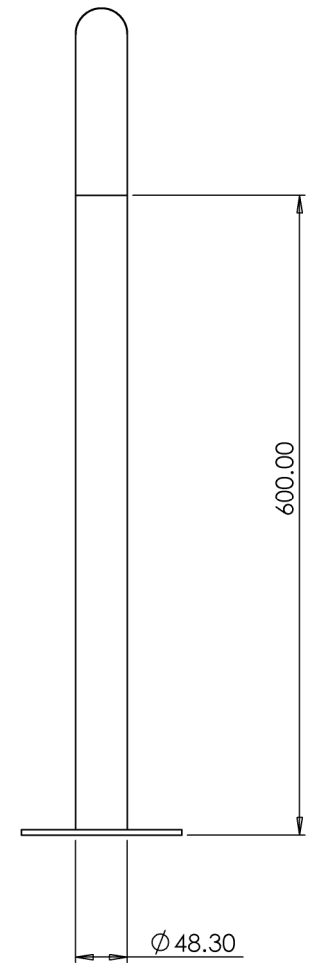
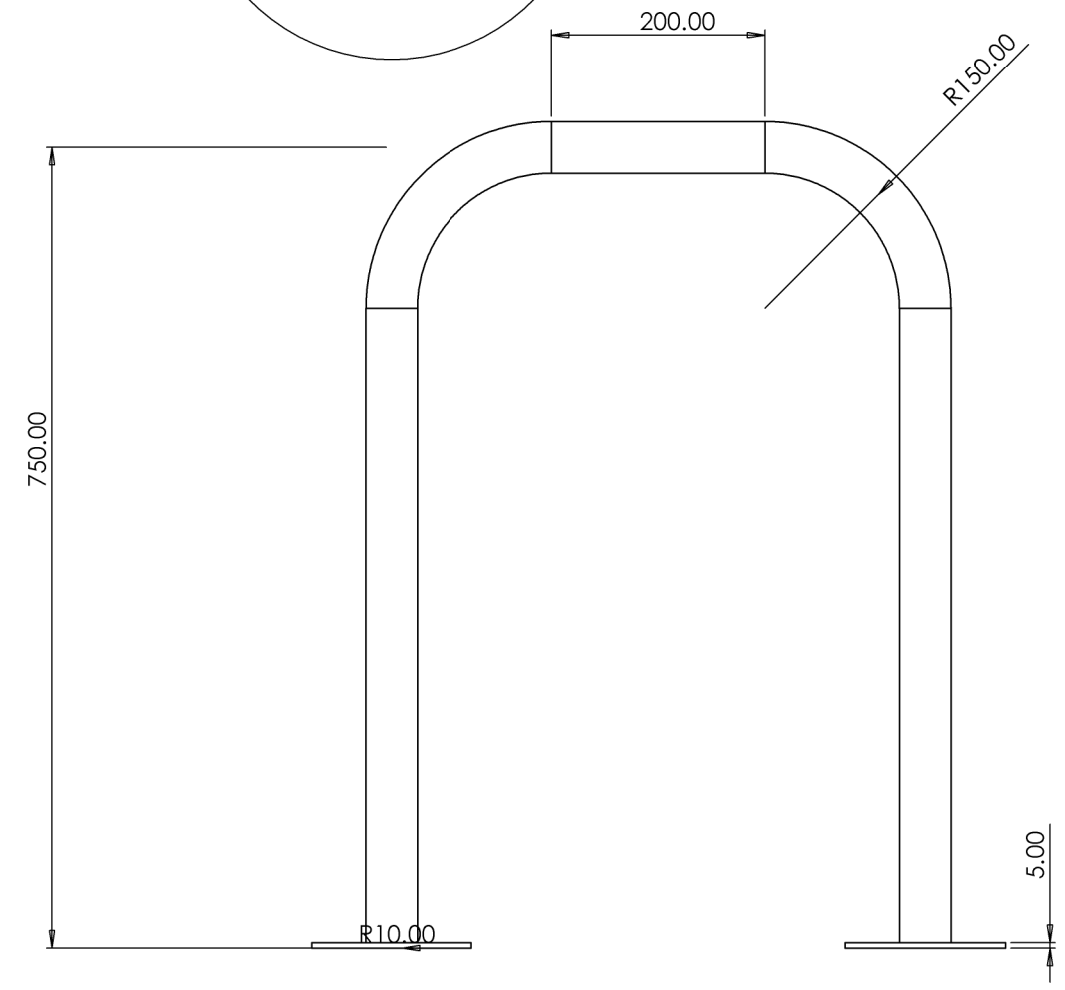


DETAIL A
SCALE 2:5



UNLESS OTHERWISE SPECIFIED: DIMENSIONS ARE IN MILLIMETERS				FINISH: Galvanized		DEBURR AND BREAK SHARP EDGES		DO NOT SCALE DRAWING		REVISION 1	
SURFACE FINISH:								TITLE: Hooped Barrier/ Bolted Down			
TOLERANCES:											
LINEAR:								DWG NO: HB-BD-G-L500-H750-D48.3			
ANGULAR:											
DRAWN Lee Hickman		SIGNATURE		DATE 12/6/19							
CHKD											
APPVD											
MFG											
Q.A.						MATERIAL: Mild Steel				A2	
						Weight 8.1 KG		SCALE:1:5		SHEET 1 OF 1	