

8 7 6 5 4 3 2 1

F

F

E

E

D

D

C

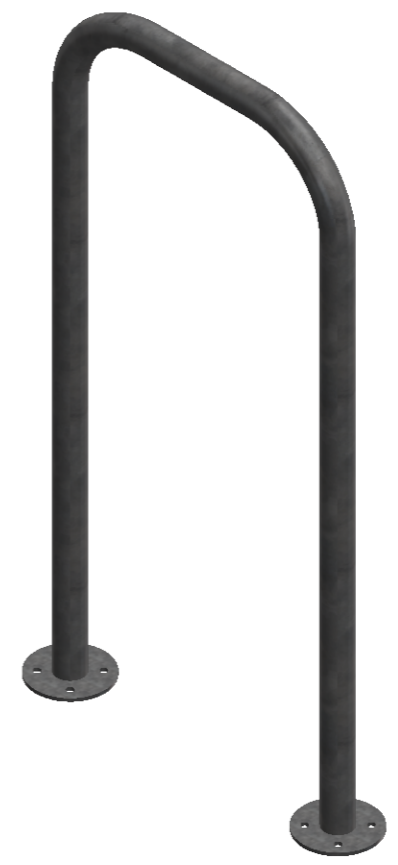
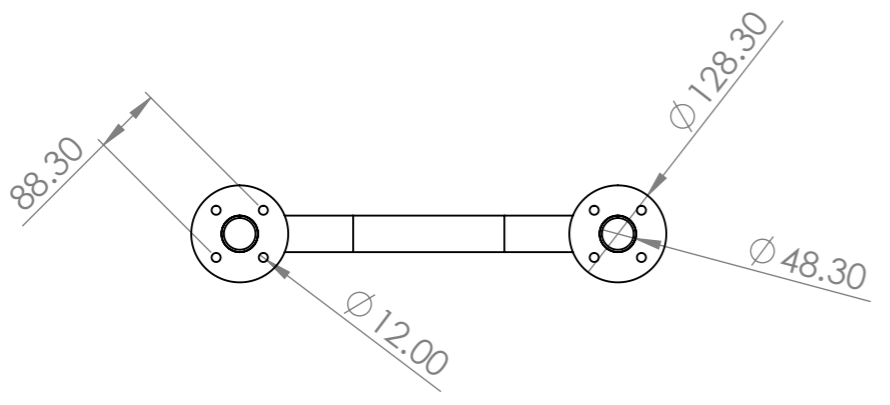
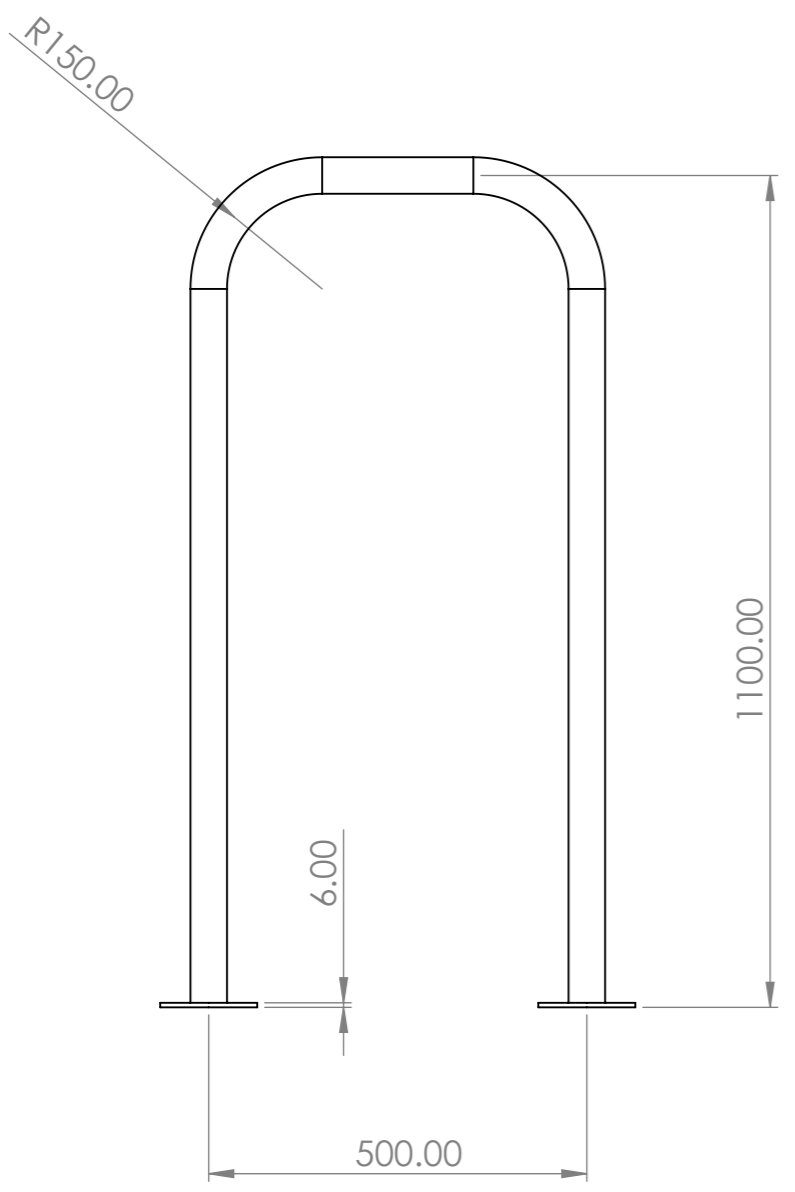
C


B

B

A

A



UNLESS OTHERWISE SPECIFIED: DIMENSIONS ARE IN MILLIMETERS				FINISH: Galv/ Powdercoated		DEBURR AND BREAK SHARP EDGES		DO NOT SCALE DRAWING		REVISION	
SURFACE FINISH:				Galv/ Powdercoated							
TOLERANCES:											
LINEAR:								TITLE: L500 x H1100 x 48.3dia hooped barrier without cross bar			
ANGULAR:								DWG NO. HB-BD-G-WCB-L500-H1100-D48.3			
DRAWN				NAME		SIGNATURE		DATE		A3	
CHK'D											
APPV'D											
MFG											
Q.A								MATERIAL: Mild Steel		SCALE:1:10	
								WEIGHT: 10179.93		SHEET 1 OF 1	

8 7 6 5 4 3 2 1