

8 7 6 5 4 3 2 1

F

F

E

E

D

D

C

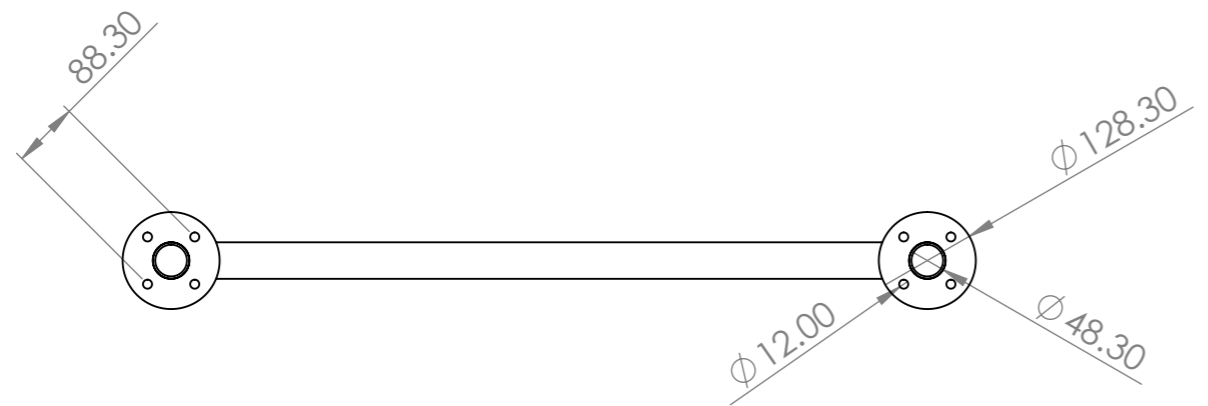
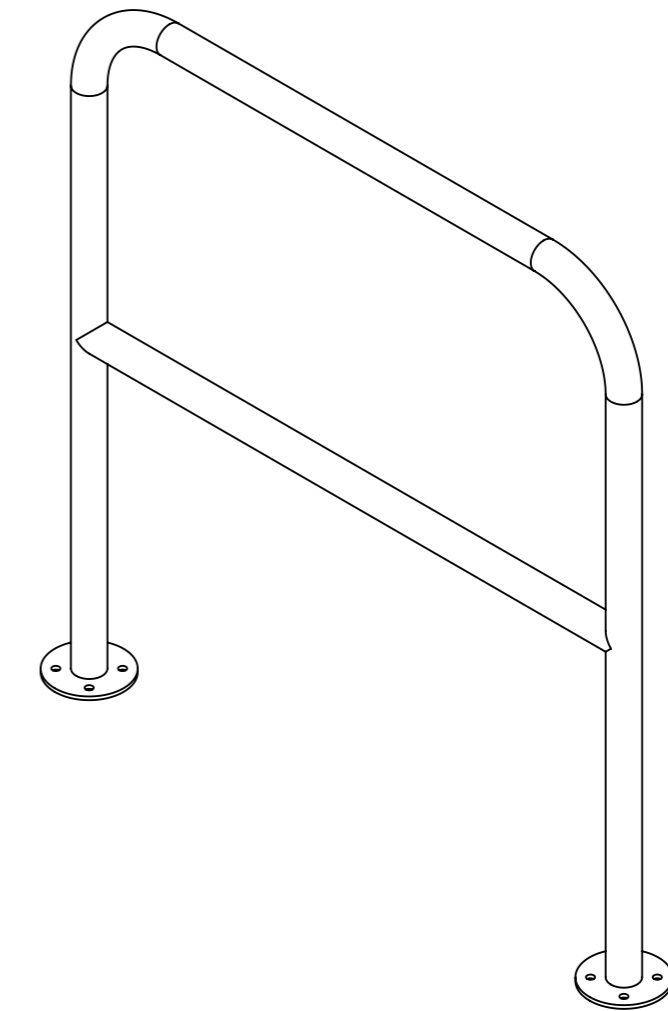
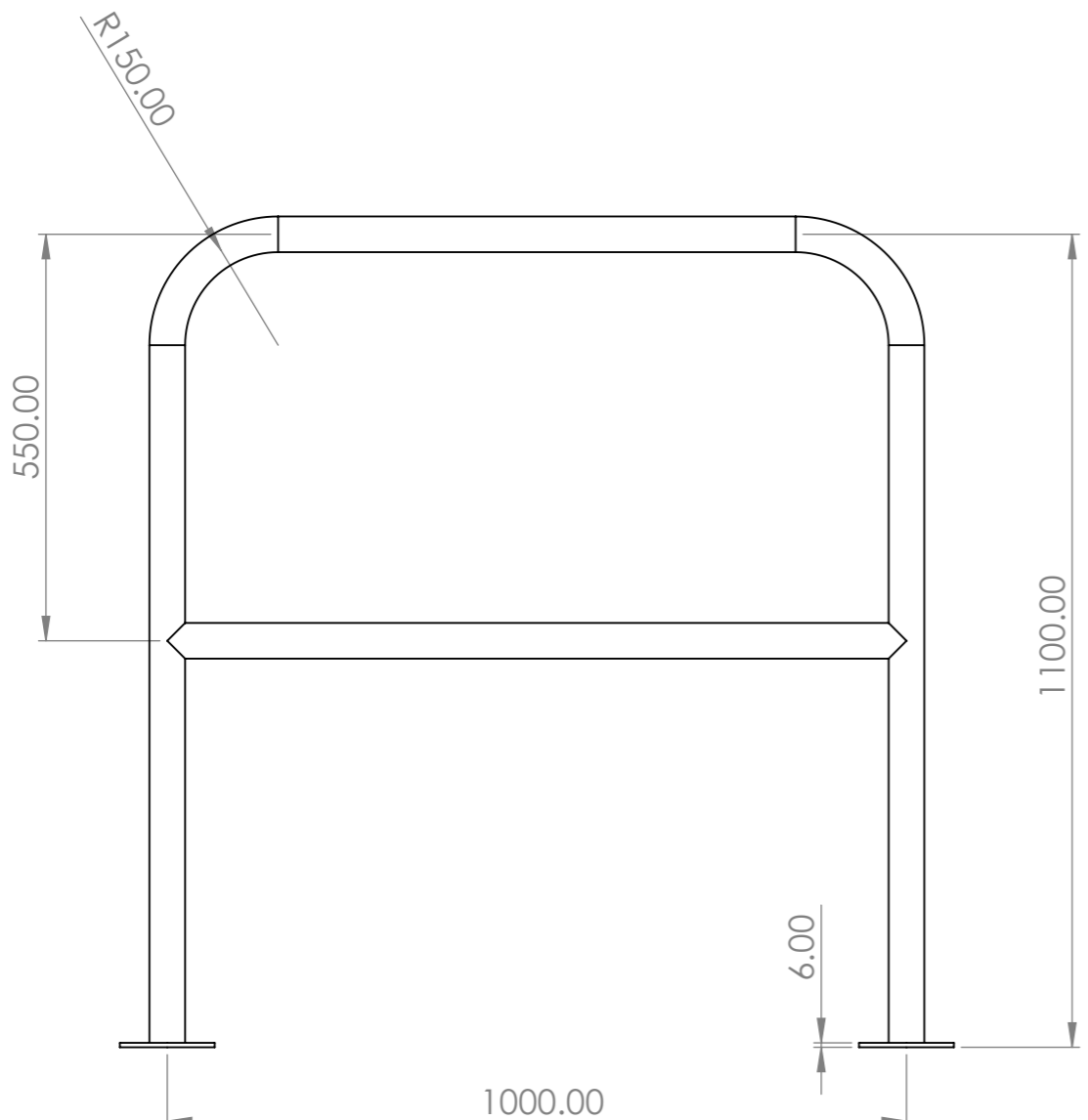
C

B

B

A

A



UNLESS OTHERWISE SPECIFIED: DIMENSIONS ARE IN MILLIMETERS SURFACE FINISH: TOLERANCES: LINEAR: ANGULAR:				FINISH:  Brushed		DEBURR AND BREAK SHARP EDGES		DO NOT SCALE DRAWING		REVISION	
								TITLE: L1000 x H1100 x 48.3dia hooped barrier with cross bar			
DRAWN				NAME		SIGNATURE		DATE		DWG NO. HB-BD-SS-CB-L1000-H1100-D48.3	
CHK'D										A3	
APPV'D										SCALE:1:10	
MFG										SHEET 1 OF 1	
Q.A								MATERIAL: Stainless steel		WEIGHT: 15663.99	

8 7 6 5 4 3 2 1