

8 7 6 5 4 3 2 1

F

F

E

E

D

D

C

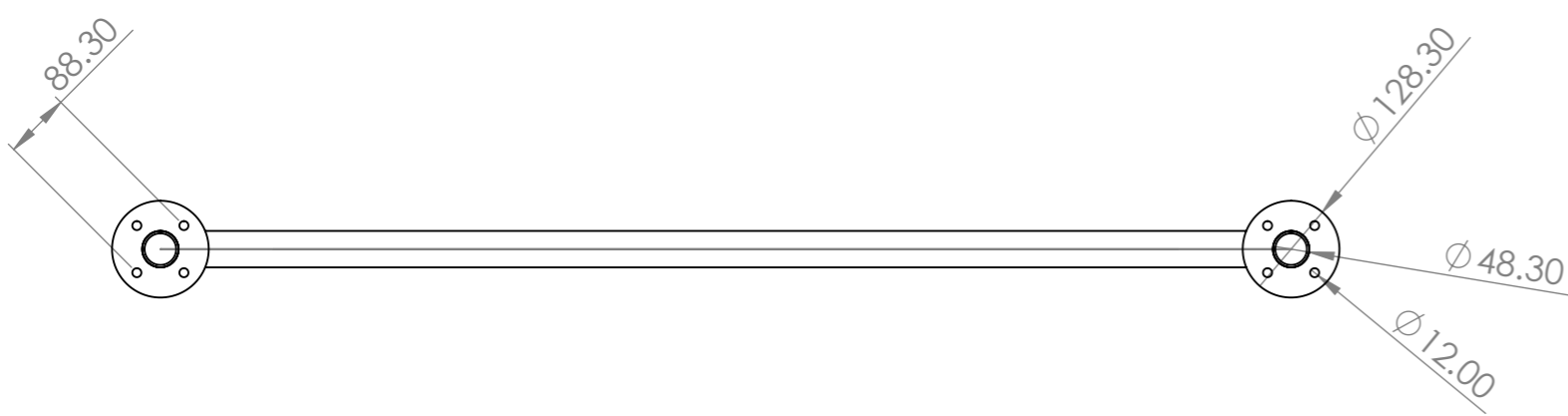
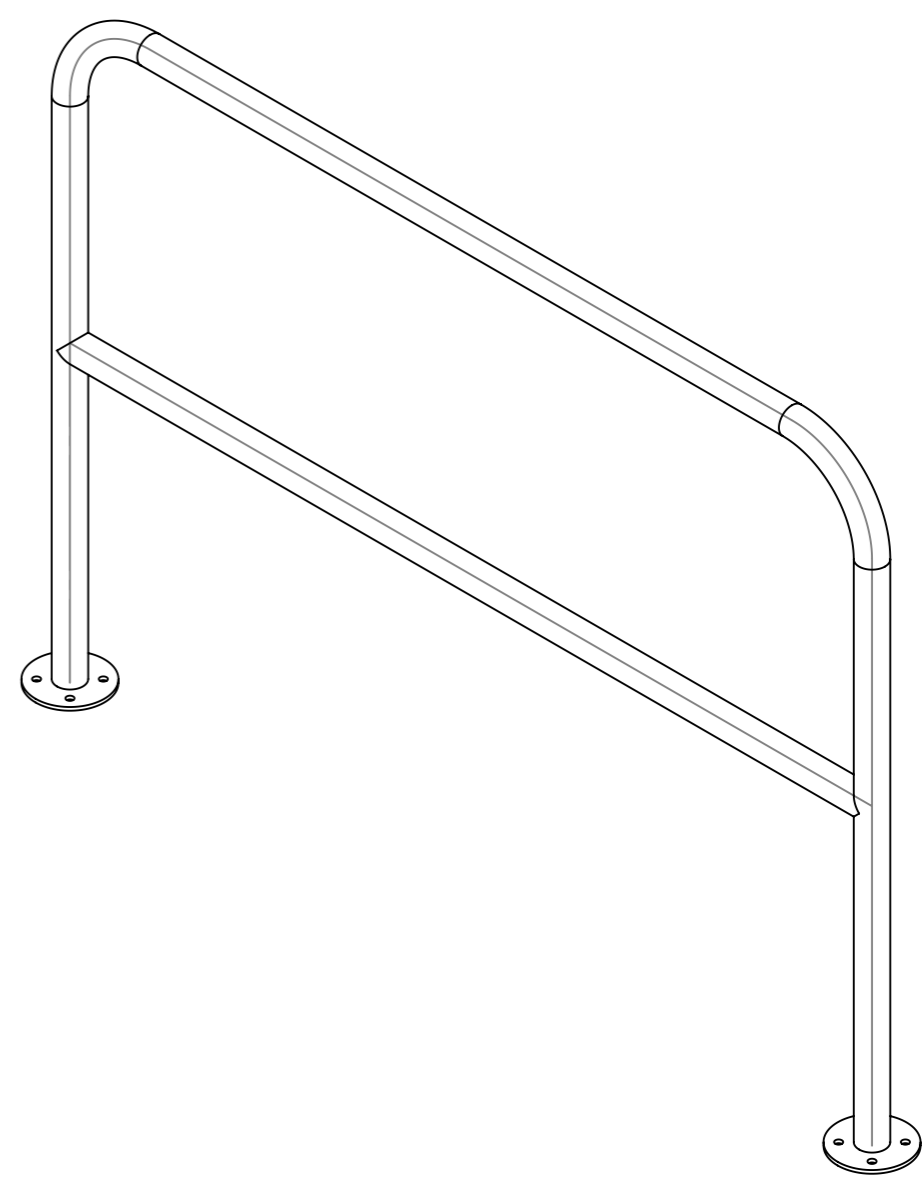
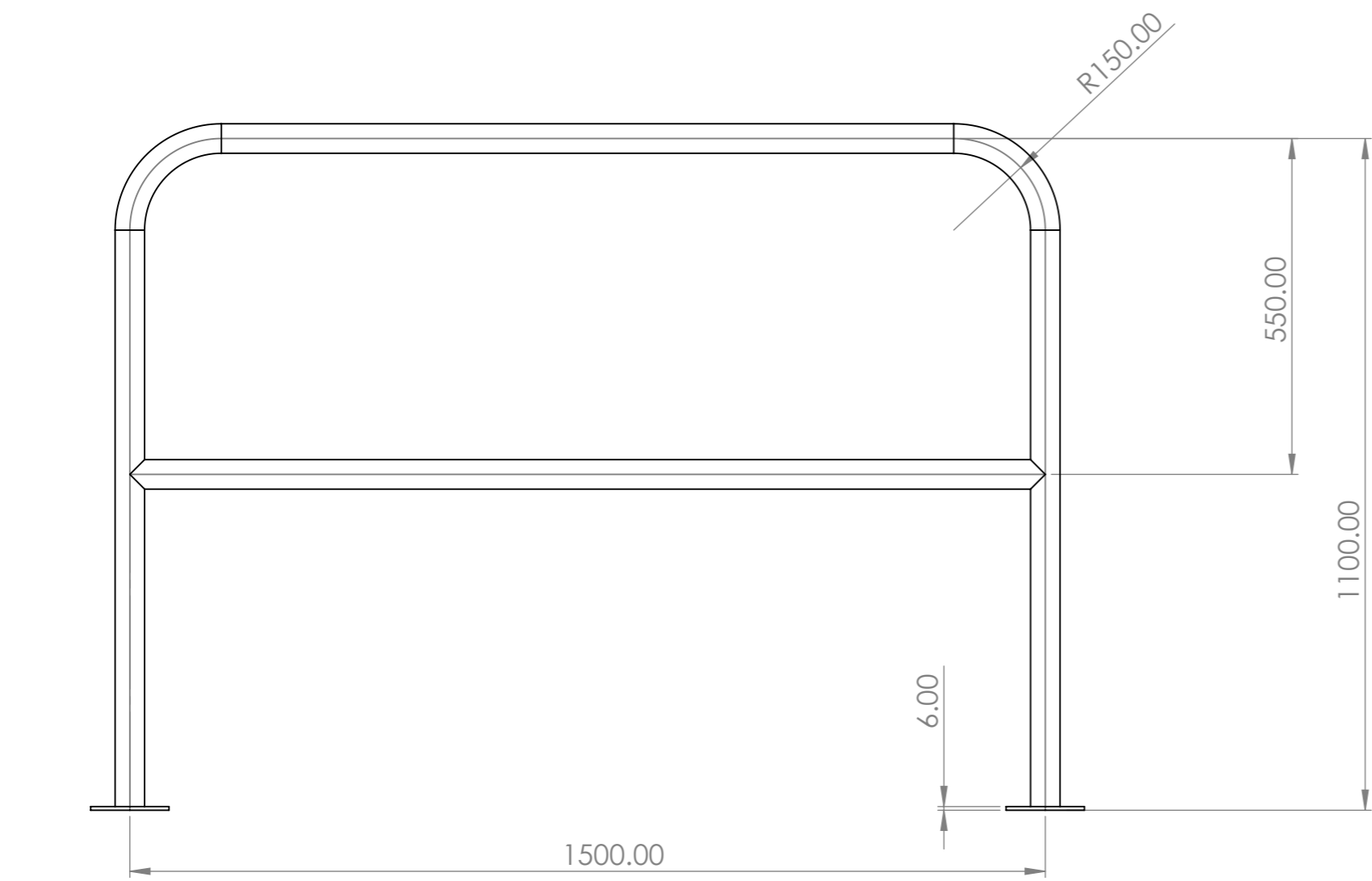
C


B

B

A

A



UNLESS OTHERWISE SPECIFIED: DIMENSIONS ARE IN MILLIMETERS SURFACE FINISH: TOLERANCES: LINEAR: ANGULAR:		FINISH: brushed		DEBURR AND BREAK SHARP EDGES		DO NOT SCALE DRAWING		REVISION	
DRAWN		NAME		SIGNATURE		DATE		TITLE: L1500 x H1100 x 48.3dia hooped barrier with cross bar	
CHK'D									
APPV'D									
MFG									
Q.A									
				MATERIAL: Stainless Steel		DWG NO. HB-BD-SS-CB-L1500-H1100-D48.3		A3	
				WEIGHT: 19290.82		SCALE:1:10		SHEET 1 OF 1	

8 7 6 5 4 3 2 1