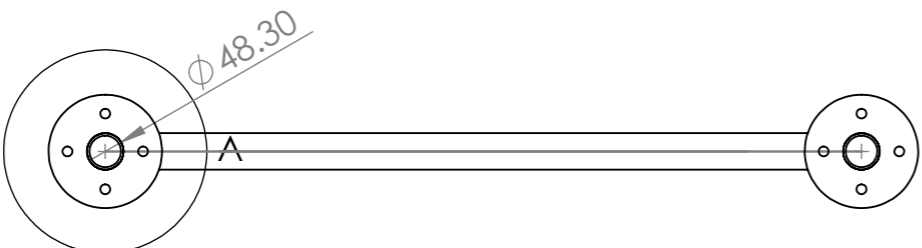
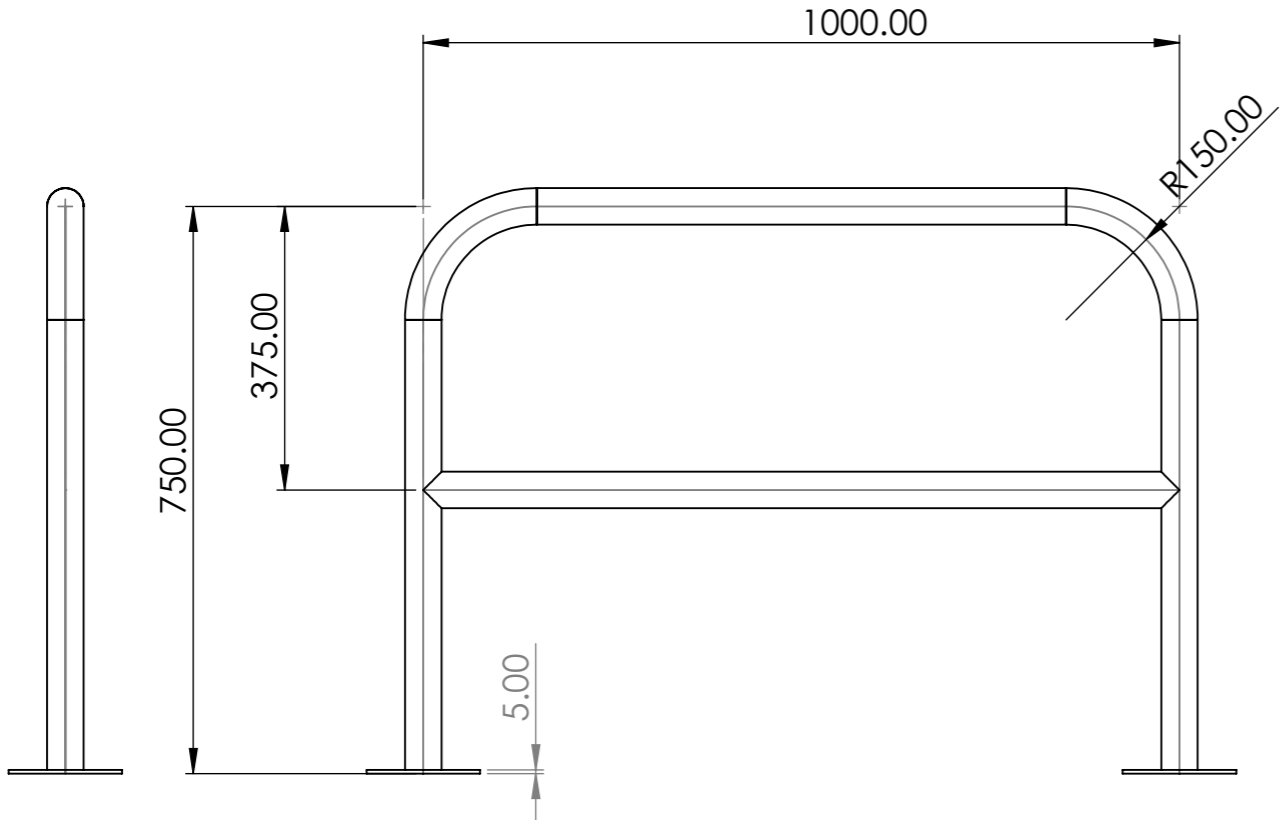


DETAIL A  
SCALE 1 : 5



UNLESS OTHERWISE SPECIFIED: DIMENSIONS ARE IN MILLIMETERS SURFACE FINISH: TOLERANCES: LINEAR: ANGULAR:		FINISH:  GALVANIZED		DEBURR AND BREAK SHARP EDGES		DO NOT SCALE DRAWING		REVISION 1	
DRAWN LEE HICKMAN		SIGNATURE		DATE 11/07/19		TITLE: <b>HOOPED BARRIER/ BLOT DOWN/ CROSS BAR</b>			
CHK'D		APPV'D		MFG		Q.A		MATERIAL:  MILD STEEL	
DWG NO. HB-CB-BD-G-L1000-H750-D48.3		SCALE:1:10		WEIGHT: 13.5KG		SHEET 1 OF 1			
A3									