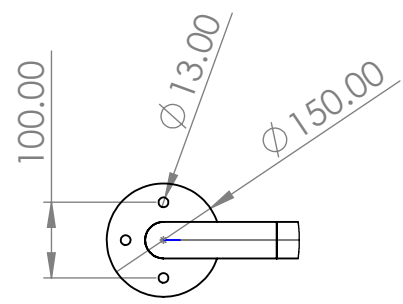
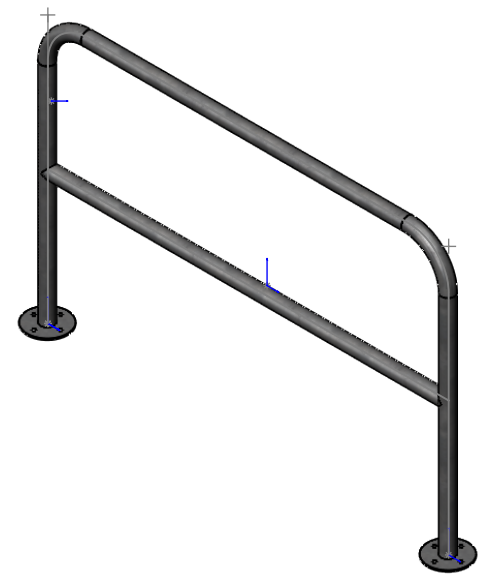
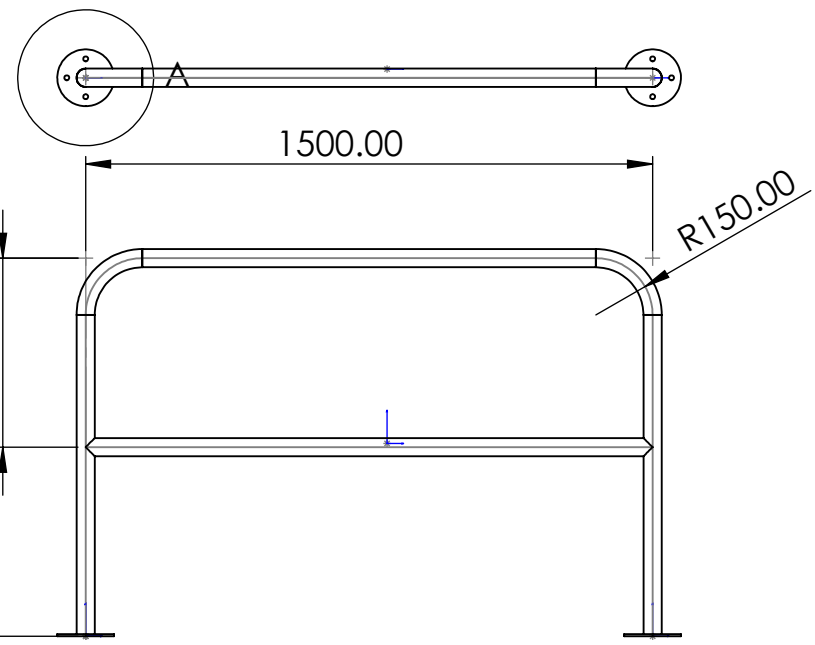


B

B



DETAIL A
SCALE 1 : 10



A

A

PROPRIETARY AND CONFIDENTIAL
THE INFORMATION CONTAINED IN THIS DRAWING IS THE SOLE PROPERTY OF <INSERT COMPANY NAME HERE>. ANY REPRODUCTION IN PART OR AS A WHOLE WITHOUT THE WRITTEN PERMISSION OF <INSERT COMPANY NAME HERE> IS PROHIBITED.

		UNLESS OTHERWISE SPECIFIED:		NAME	DATE
		DIMENSIONS ARE IN INCHES	DRAWN		
		TOLERANCES:	CHECKED		
		FRACTIONAL ±	ENG APPR.		
		ANGULAR: MACH ± BEND ±	MFG APPR.		
		TWO PLACE DECIMAL ±	Q.A.		
		THREE PLACE DECIMAL ±	WEIGHT: 19 KG		
		INTERPRET GEOMETRIC TOLERANCING PER:			
		MATERIAL MILD STEEL			
		FINISH GALVANIZED			
NEXT ASSY	USED ON				
APPLICATION		DO NOT SCALE DRAWING			



TITLE:
**HOOPED BARRIER/
BOLT DOWN/
CROSS BAR**

SIZE	DWG. NO.	REV
A	HB-CB-BD-G-L1500-H1000-D48.3	
SCALE: 1:20		SHEET 1 OF 1

2

1