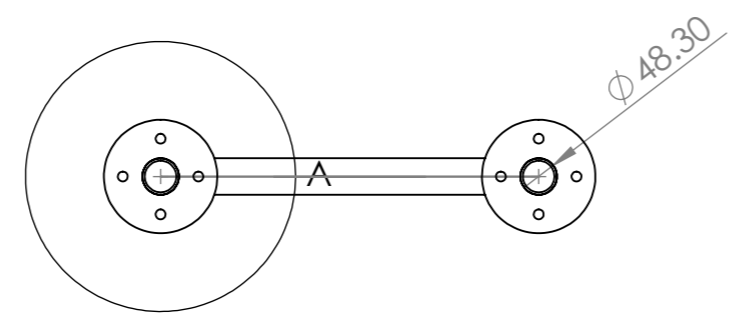
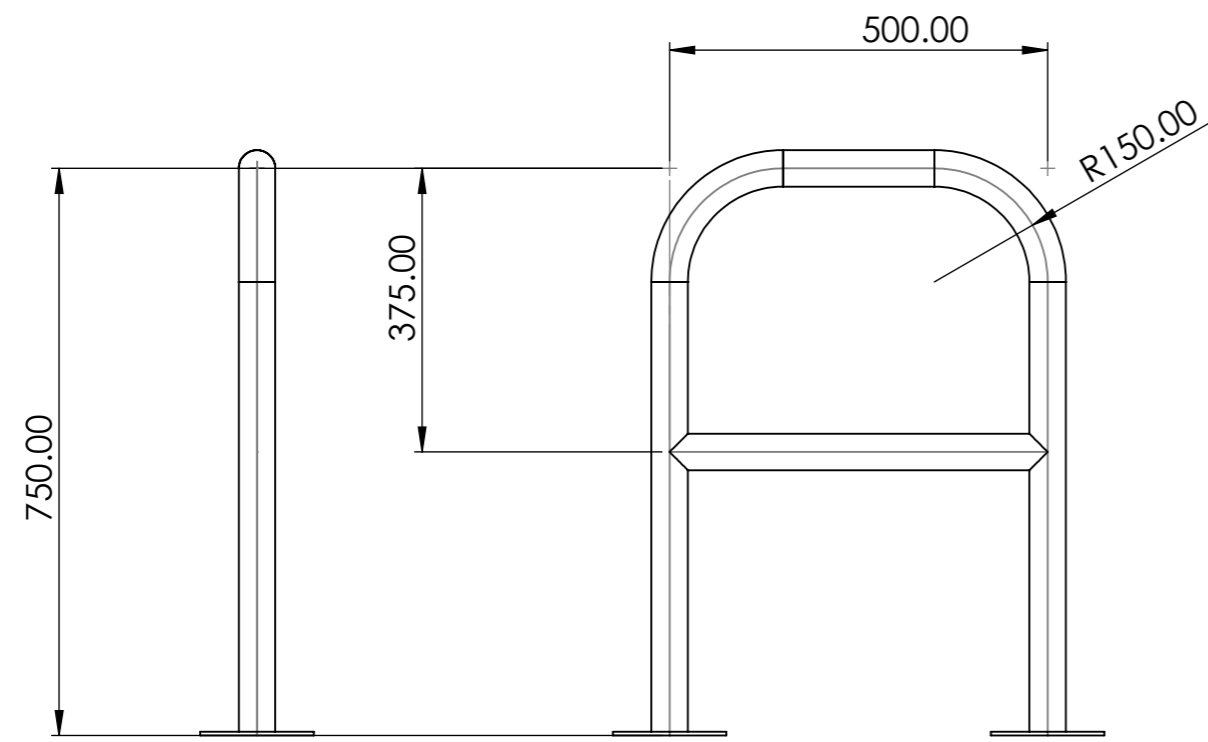


DETAIL A  
SCALE 1 : 5



UNLESS OTHERWISE SPECIFIED: DIMENSIONS ARE IN MILLIMETERS		FINISH: <b>GALVANIZED</b>		DEBURR AND BREAK SHARP EDGES		DO NOT SCALE DRAWING		REVISION 1	
SURFACE FINISH:									
TOLERANCES:									
LINEAR:						TITLE: <b>HOOPED BARRIER/ BOLT DOWN/ CROSS BAR</b>			
ANGULAR:						DWG NO. HB-CB-BD-G-L500-H750-D48.3		A3	
DRAWN LEE HICKMAN		SIGNATURE		DATE 11/07/19		MATERIAL: <b>MILD STEEL</b>		SCALE:1:10	
CHK'D						WEIGHT: 9.8 KG		SHEET 1 OF 1	
APPV'D									
MFG									
Q.A									