

8 7 6 5 4 3 2 1

F

F

E

E

D

D

C

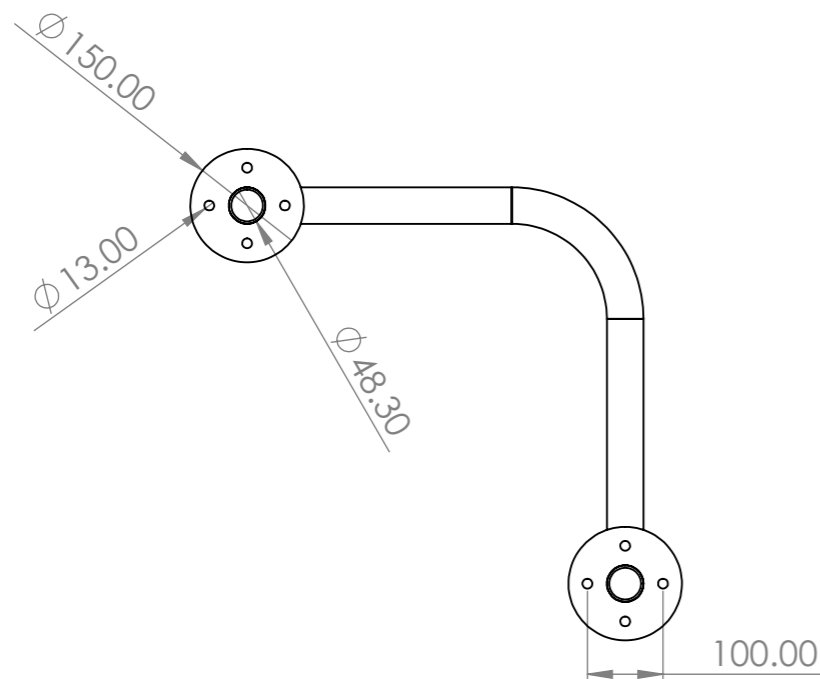
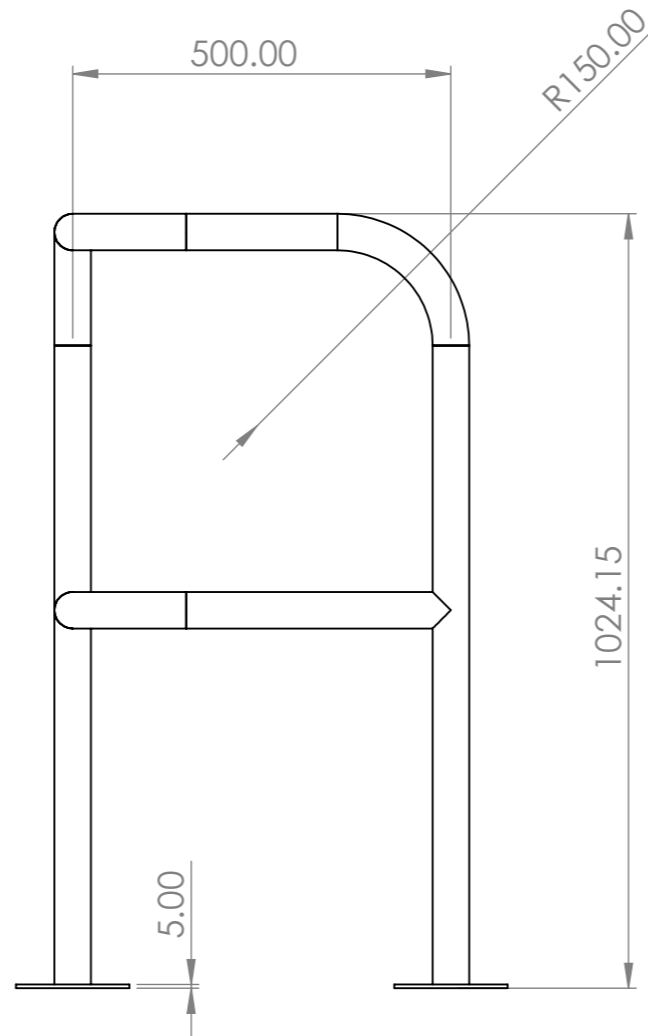
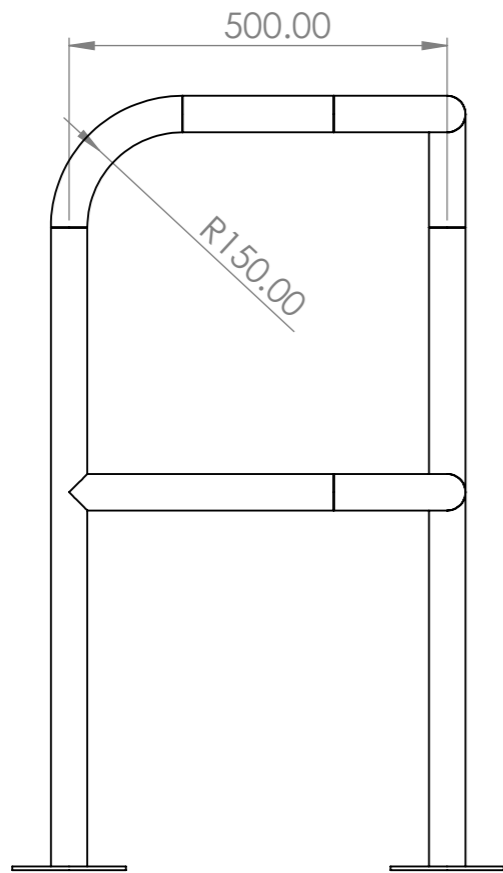
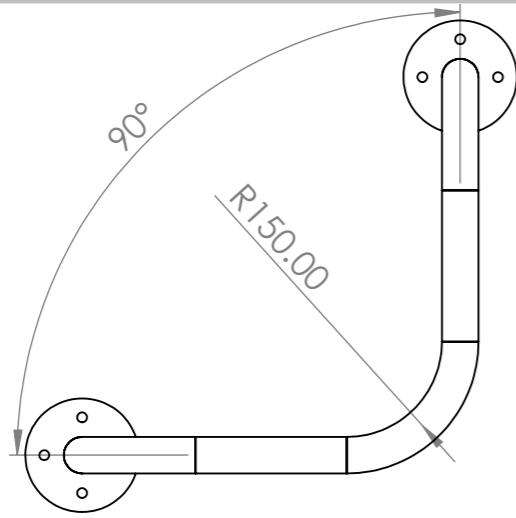
C

B

B

A

A



|   |  |  |  |                           |  |                                    |  |  |  |   |  |
|---|--|--|--|---------------------------|--|------------------------------------|--|--|--|---|--|
| UNLESS OTHERWISE SPECIFIED:<br>DIMENSIONS ARE IN MILLIMETERS<br>SURFACE FINISH:<br>TOLERANCES:<br>LINEAR:<br>ANGULAR: |  |  |  | FINISH:<br><br>Galvanized |  | DEBURR AND<br>BREAK SHARP<br>EDGES |  | DO NOT SCALE DRAWING   |  | REVISION                                |  |
|   |  |  |  |                           |  |                                    |  |  |  |   |  |
|   |  |  |  |                           |  |                                    |  | TITLE:<br>H1000 x L500 48.3 Dia Galv Hooped<br>Corner Barrier With Cross Bar |  |   |  |
| DRAWN   |  |  |  | NAME                      |  | SIGNATURE                          |  | DATE   |  | DWG NO.<br>HCB-BD-CB-G-L500-H1000-D48.3 |  |
| CHK'D   |  |  |  |                           |  |                                    |  |  |  | A3                                      |  |
| APPV'D  |  |  |  |                           |  |                                    |  |  |  | SCALE: 1:10                             |  |
| MFG   |  |  |  |                           |  |                                    |  |  |  | SHEET 1 OF 1                            |  |
| Q.A   |  |  |  |                           |  |                                    |  | MATERIAL:<br>Mild Steel  |  | WEIGHT: 14435.98                        |  |

8 7 6 5 4 3 2 1