

8 7 6 5 4 3 2 1

F

F

E

E

D

D

C

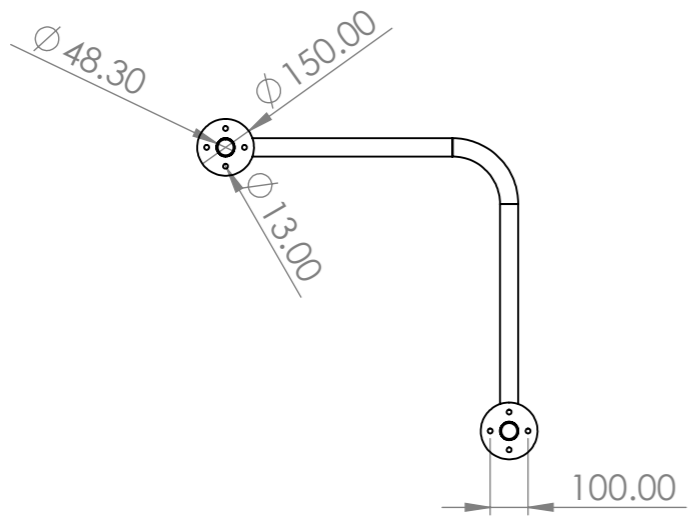
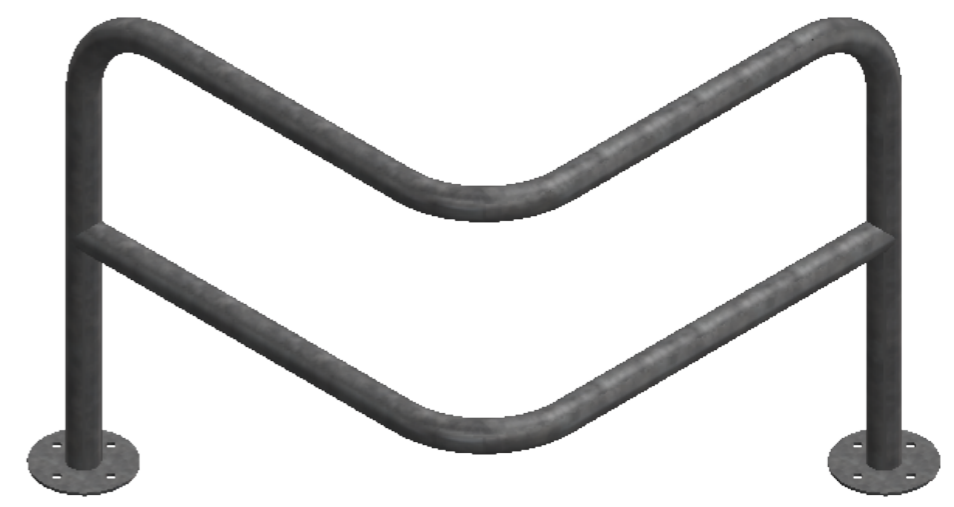
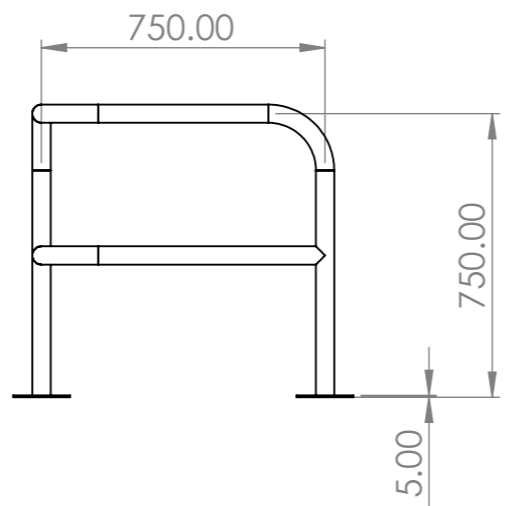
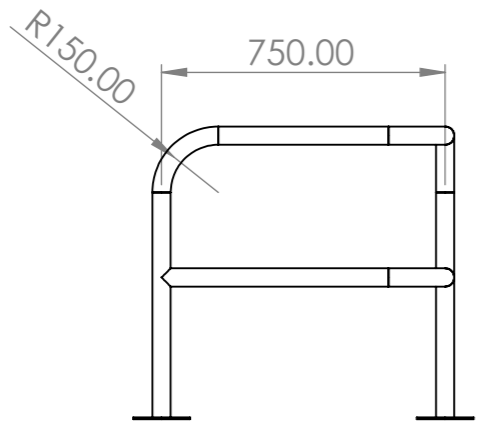
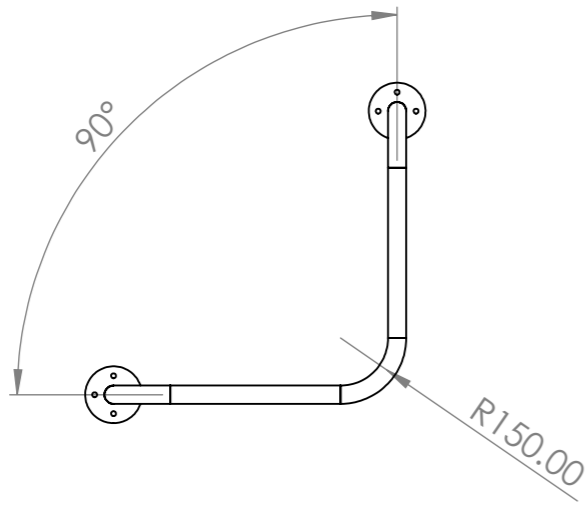
C

B

B

A

A



UNLESS OTHERWISE SPECIFIED: DIMENSIONS ARE IN MILLIMETERS SURFACE FINISH: TOLERANCES: LINEAR: ANGULAR:			FINISH:  Galvanized		DEBURR AND BREAK SHARP EDGES		DO NOT SCALE DRAWING		REVISION			
							TITLE: H750 x L750 48.3 Dia Galv hooped corner barrier with cross bar					
							DWG NO. HCB-BD-CB-G-L750-H750-D48.3				A3	
							WEIGHT: 1.6220.07		SCALE: 1:20		SHEET 1 OF 1	
DRAWN		NAME		SIGNATURE		DATE						
CHK'D												
APPV'D												
MFG												
Q.A								MATERIAL: Mild Steel				

8 7 6 5 4 3 2 1