

8 7 6 5 4 3 2 1

F

F

E

E

D

D

C

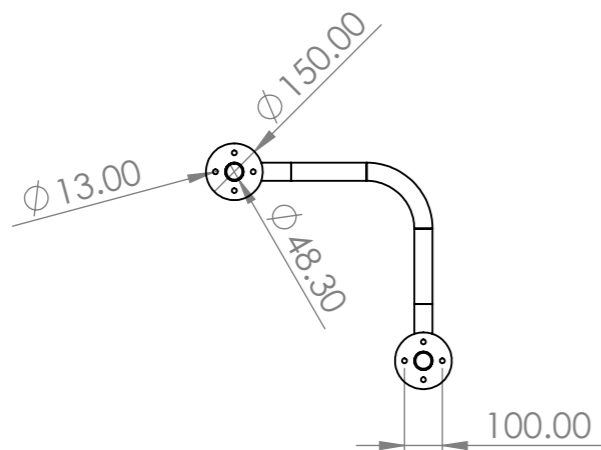
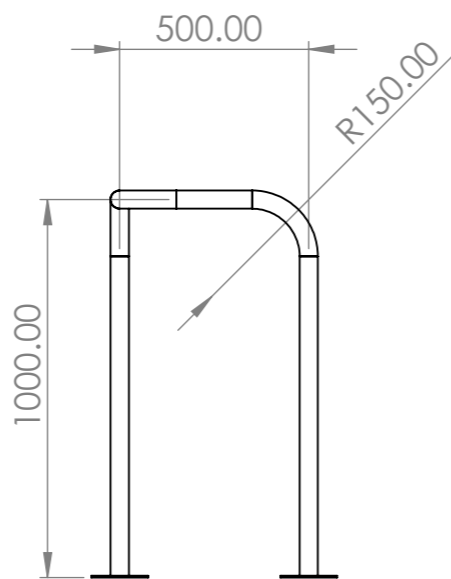
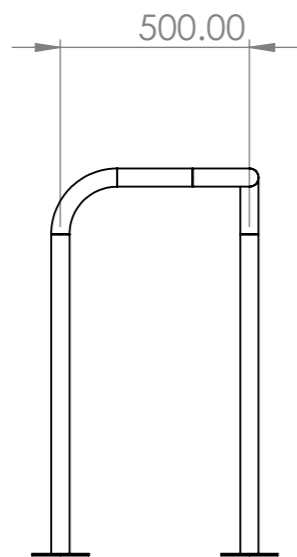
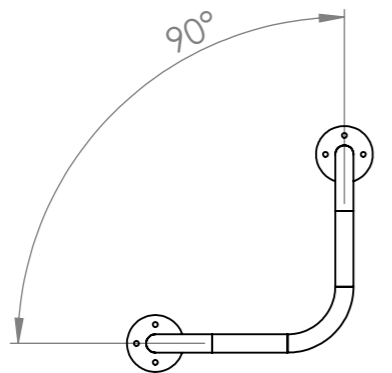
C


B

B

A

A



UNLESS OTHERWISE SPECIFIED: DIMENSIONS ARE IN MILLIMETERS SURFACE FINISH: TOLERANCES: LINEAR: ANGULAR:			FINISH: Galvanized		DEBURR AND BREAK SHARP EDGES		DO NOT SCALE DRAWING		REVISION				
													
							TITLE: H1000 x L500 x 48.3 Dia Galv Corner Hooped Barrier						
							MATERIAL: Mild Steel				DWG NO. HCB-BD-G-L500-H1000-D48.3		A3
							WEIGHT: 11220.24		SCALE: 1:20			SHEET 1 OF 1	
DRAWN		NAME		SIGNATURE		DATE							
CHK'D													
APPV'D													
MFG													
Q.A													

8 7 6 5 4 3 2 1