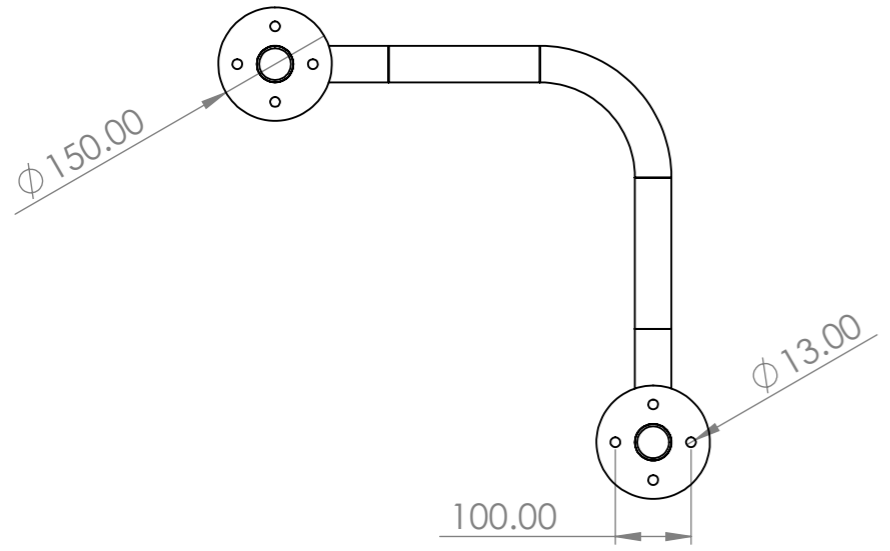
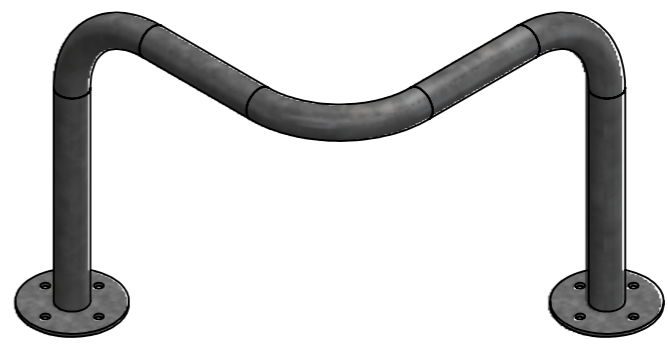
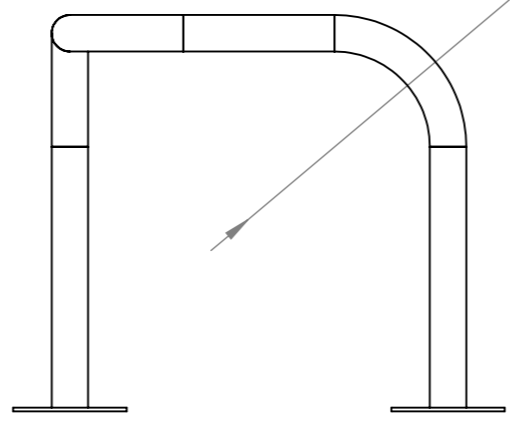
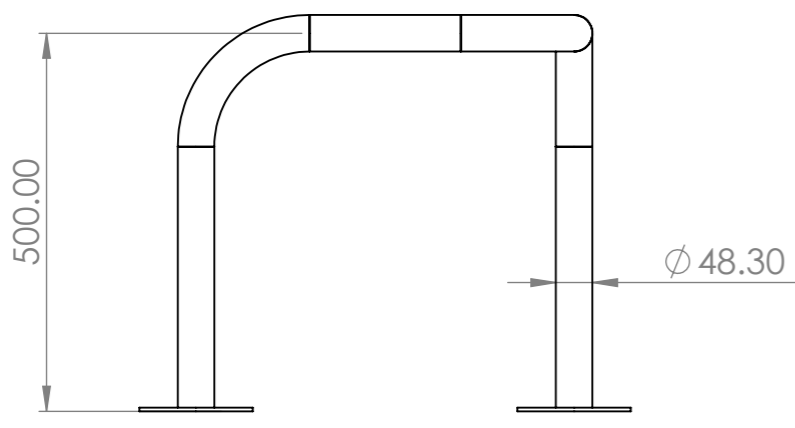
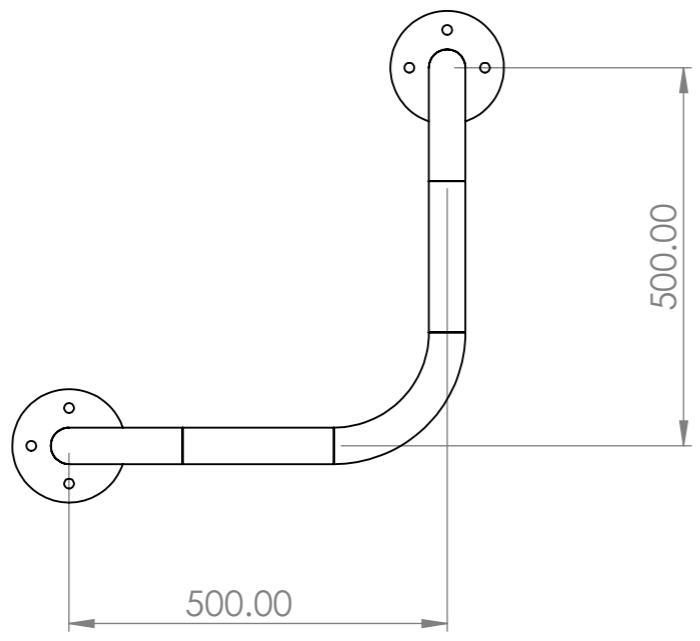


8 7 6 5 4 3 2 1

F  
E  
D  
C  
B  
A

F  
E  
D  
C  
B  
A



UNLESS OTHERWISE SPECIFIED: DIMENSIONS ARE IN MILLIMETERS SURFACE FINISH: TOLERANCES: LINEAR: ANGULAR:				FINISH:  Galvanized		DEBURR AND BREAK SHARP EDGES		DO NOT SCALE DRAWING		REVISION	
								TITLE: <b>500 x 500 x 48.3 Corner Barrier</b>			
DRAWN				NAME		SIGNATURE		DATE		DWG NO. HCB-BD-G-L500-H500-D48.3	
CHK'D										A3	
APPV'D										SCALE:1:10	
MFG										SHEET 1 OF 1	
Q.A								MATERIAL: Mild Steel		WEIGHT: 7652.02	

8 7 6 5 4 3 2 1