

8 7 6 5 4 3 2 1

F

F

E

E

D

D

C

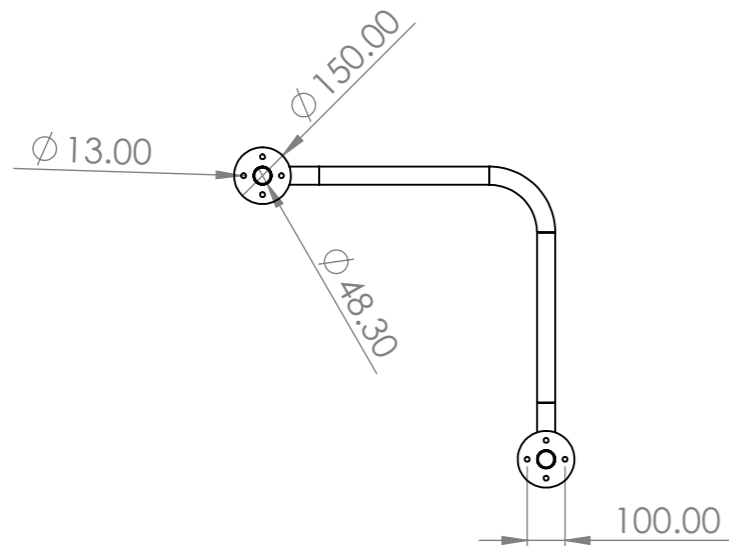
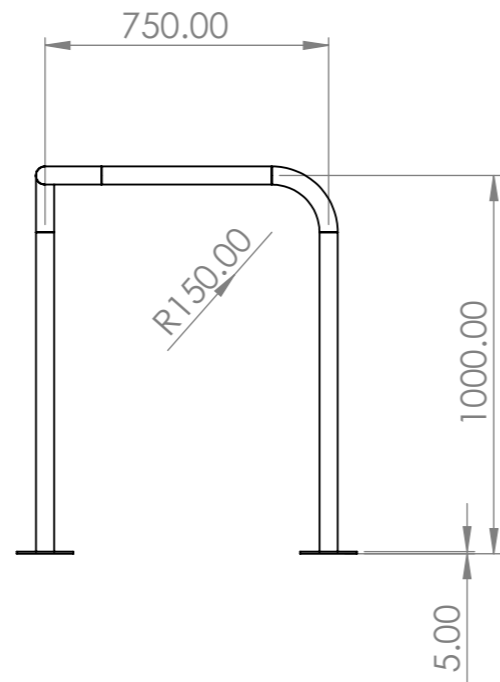
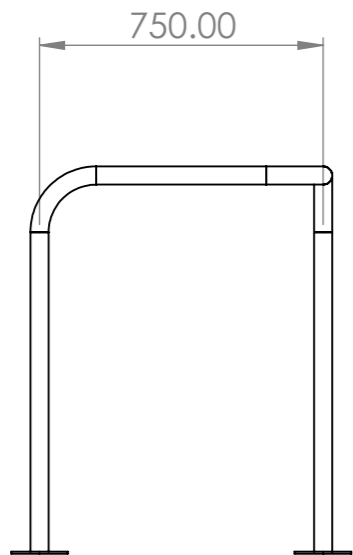
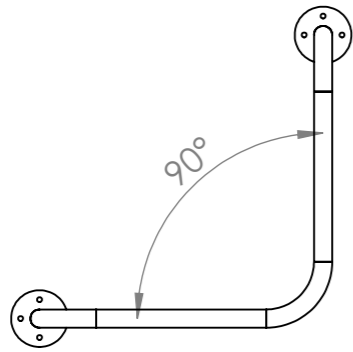
C

B

B

A

A



UNLESS OTHERWISE SPECIFIED: DIMENSIONS ARE IN MILLIMETERS SURFACE FINISH: TOLERANCES: LINEAR: ANGULAR:			FINISH: Galvanized		DEBURR AND BREAK SHARP EDGES		DO NOT SCALE DRAWING		REVISION			
							TITLE: H1000 x L750 48.3 Dia Galv Corner hooped barrier					
							DWG NO. HCB-BD-G-L750-H1000-D48.3				A3	
							MATERIAL: Mild Steel		SCALE:1:20		SHEET 1 OF 1	
							WEIGHT: 13004.35					
DRAWN		NAME		SIGNATURE		DATE						
CHK'D												
APPV'D												
MFG												
Q.A												

8 7 6 5 4 3 2 1