

8 7 6 5 4 3 2 1

F

F

E

E

D

D

C

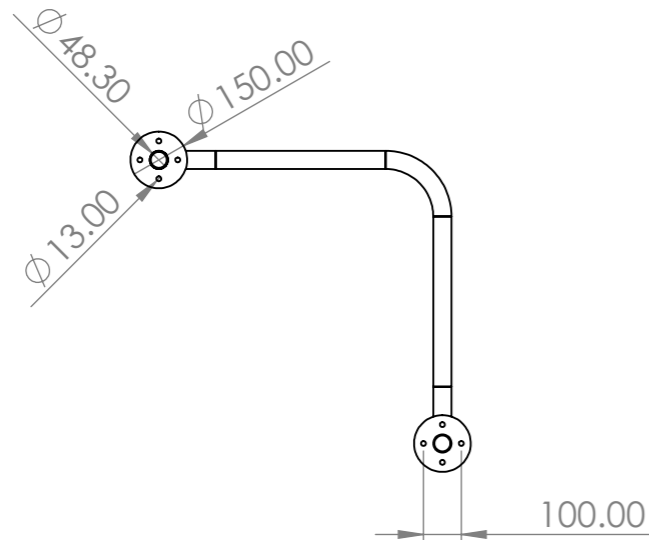
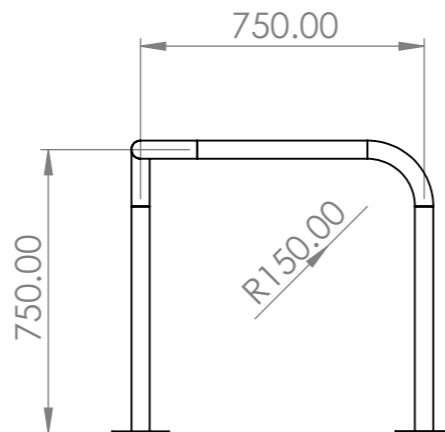
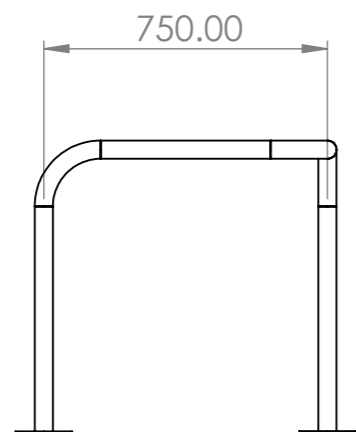
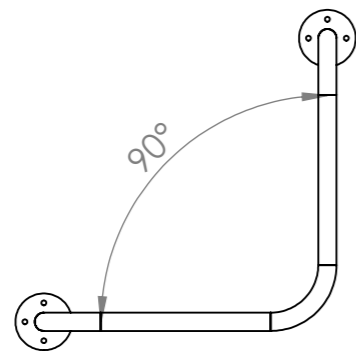
C

B

B

A

A



UNLESS OTHERWISE SPECIFIED: DIMENSIONS ARE IN MILLIMETERS SURFACE FINISH: TOLERANCES: LINEAR: ANGULAR:			FINISH: Galvanized		DEBURR AND BREAK SHARP EDGES		DO NOT SCALE DRAWING		REVISION		
DRAWN			NAME		SIGNATURE		DATE		TITLE: H750 x L750 48.3 Dia Galv Hooped Corner Barrier		
CHK'D									DWG NO. HCB-BD-G-L750-H750-D48.3		
APPV'D									A3		
MFG									SCALE:1:20		
Q.A							MATERIAL: Mild Steel		SHEET 1 OF 1		
							WEIGHT: 11220.24				