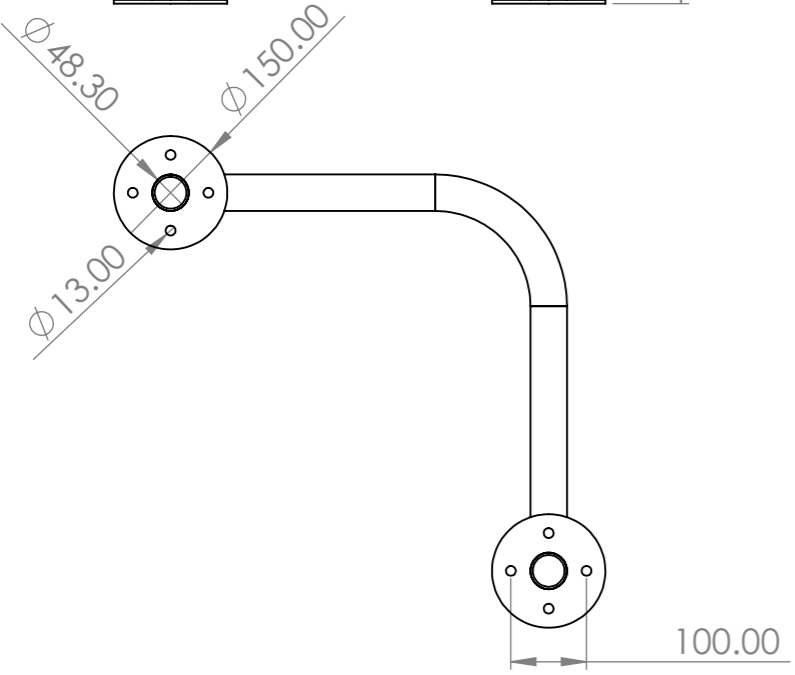
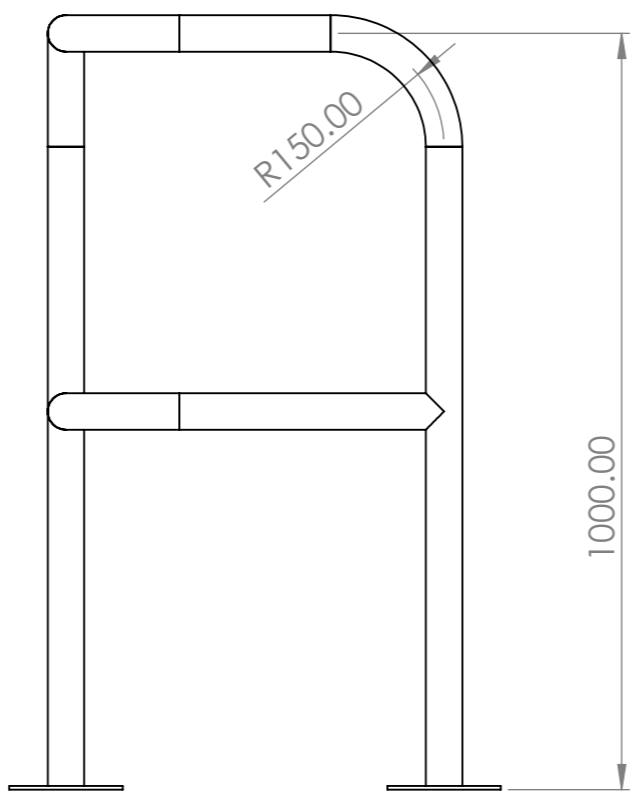
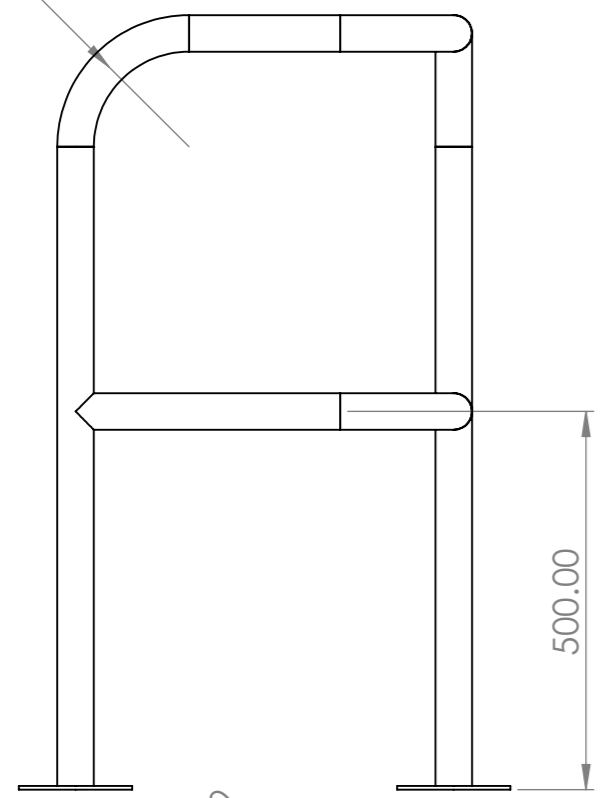
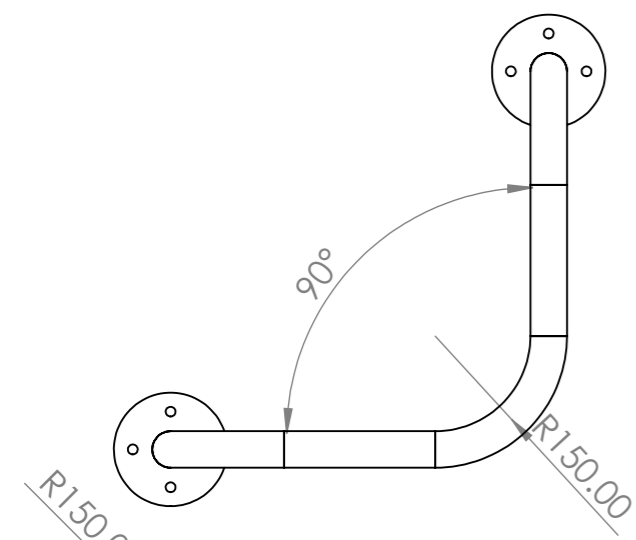



8 7 6 5 4 3 2 1

F
E
D
C
B
A

F
E
D
C
B
A



UNLESS OTHERWISE SPECIFIED: DIMENSIONS ARE IN MILLIMETERS			FINISH: Brushed Steel		DEBURR AND BREAK SHARP EDGES		DO NOT SCALE DRAWING		REVISION	
SURFACE FINISH:									TITLE: H1000 x L500 x 48.3 Dia Stainless Steel Hopped Corner Barrier with cross bar	
TOLERANCES:										
LINEAR:							DWG NO.		A3	
ANGULAR:							HCB-BD-SS-CB-L500-H1000-D48.3			
DRAWN			NAME		SIGNATURE		DATE			
CHK'D										
APPV'D										
MFG							MATERIAL:		304L	
Q.A							WEIGHT: 14674.44		SCALE: 1:10	
							SHEET 1 OF 1			

8 7 6 5 4 3 2 1