

8 7 6 5 4 3 2 1

F

F

E

E

D

D

C

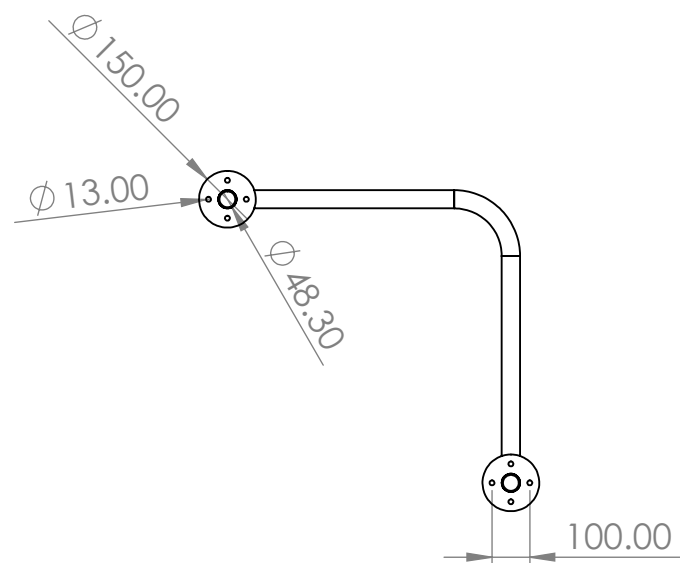
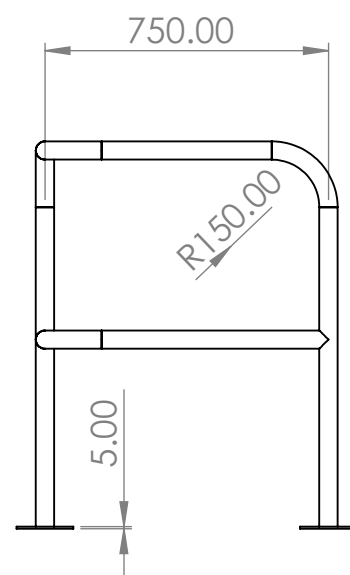
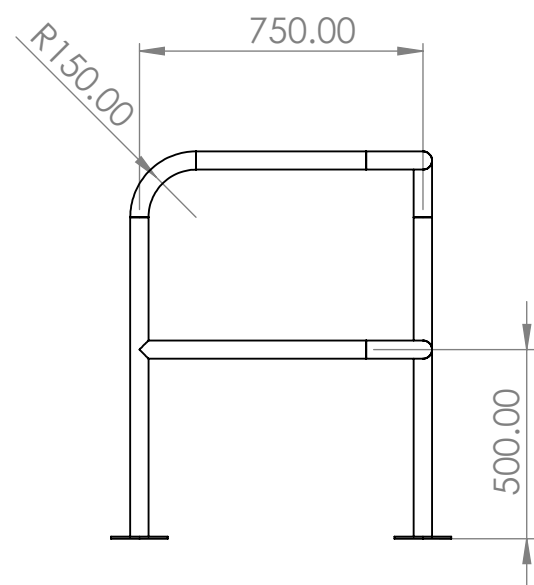
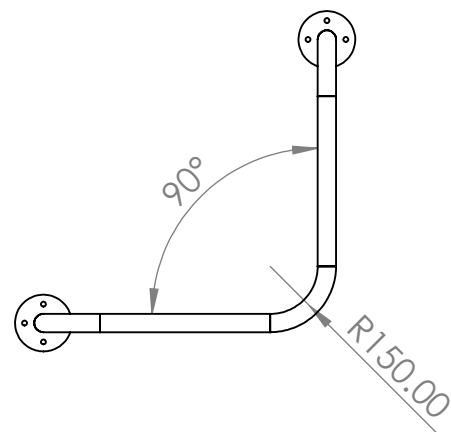
C

B

B

A

A



UNLESS OTHERWISE SPECIFIED: DIMENSIONS ARE IN MILLIMETERS SURFACE FINISH: TOLERANCES: LINEAR: ANGULAR:				FINISH: Brushed Steel		DEBURR AND BREAK SHARP EDGES		DO NOT SCALE DRAWING		REVISION	
								TITLE: H1000x L750 x 48,3 Dia Stainless steel hooped corner barrier with cross bar			
DRAWN				NAME		SIGNATURE		DATE		DWG NO. HCB-BD-SS-CB-L750-H1000-D48.3	
CHK'D										A3	
APPV'D											
MFG											
Q.A								MATERIAL: Mild Steel		SCALE:1:20	
								WEIGHT: 18301.57		SHEET 1 OF 1	

8 7 6 5 4 3 2 1