

8 7 6 5 4 3 2 1

F

F

E

E

D

D

C

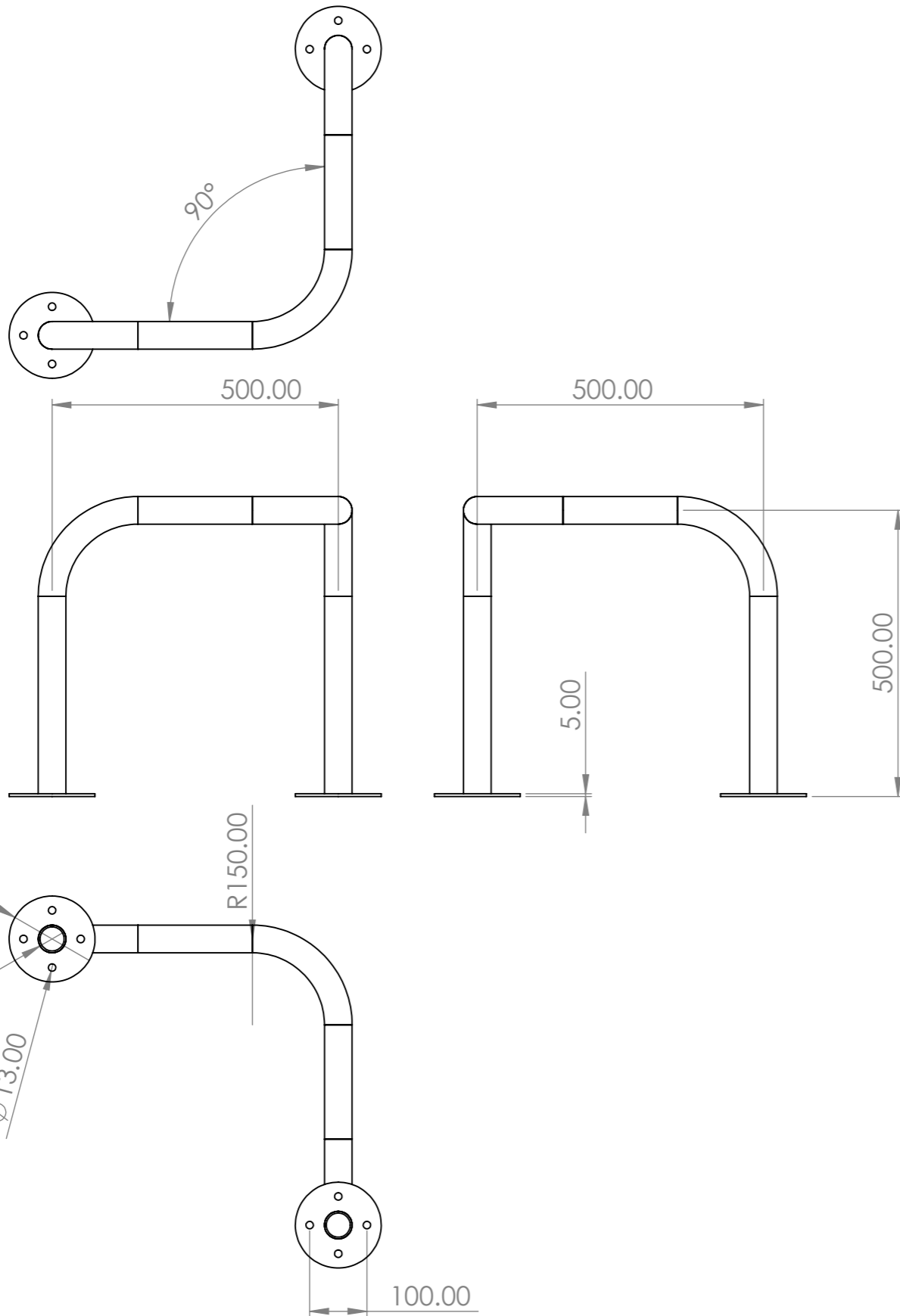
C

B

B

A

A



UNLESS OTHERWISE SPECIFIED: DIMENSIONS ARE IN MILLIMETERS SURFACE FINISH: TOLERANCES: LINEAR: ANGULAR:				FINISH: Brushed Steel		DEBURR AND BREAK SHARP EDGES		DO NOT SCALE DRAWING		REVISION	
								TITLE: H500 x L500 x 48.3 Dia Stainless Steel Hooped Corner Barrier			
DRAWN				NAME		SIGNATURE		DATE		DWG NO. HCB-BD-SS-L500-H500-D48.3	
CHK'D										A3	
APPV'D										SCALE:1:10	
MFG										SHEET 1 OF 1	
Q.A								MATERIAL: 304L			
								WEIGHT: 7778.42			

8 7 6 5 4 3 2 1